

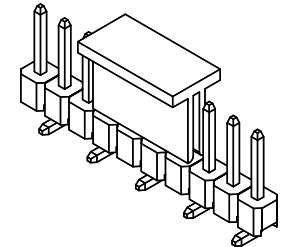
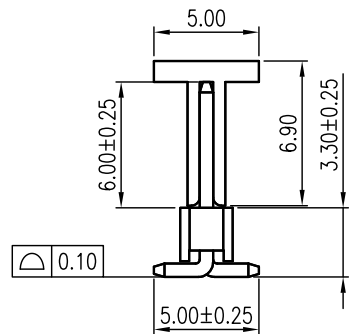
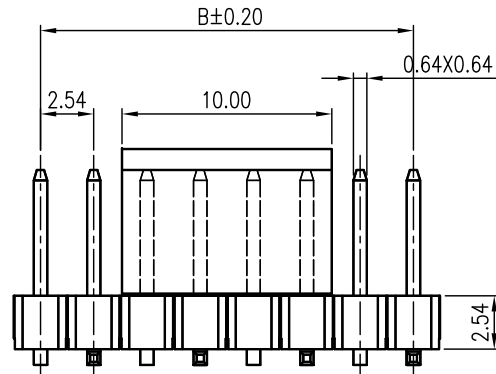
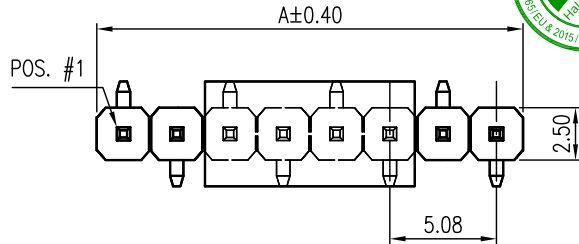
This document is the property of Amphenol Corporation and is delivered on the express condition that is not to be disclosed, reproduced or used, in whole or in part, for manufacture or sale by anyone other than Amphenol Corporation without its prior consent, and that no right is granted to disclose or to use any information in this document.

The marking on this product doesn't contain environmental hazardous materials per directive 2011/65/EU & 2015/863/EU for RoHS compliant and per IEC 61249-2-21 for Halogen-Free compliant.

**FOR REFERENCE ONLY**

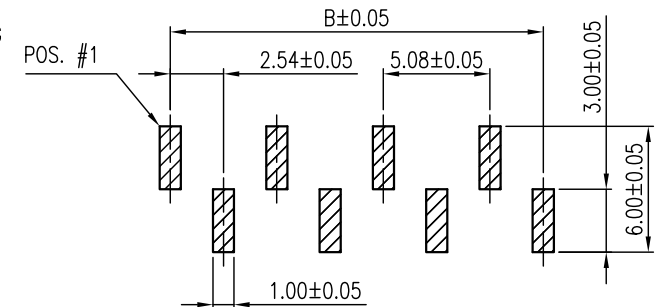


REVISIONS				
SYM	ECN No.	DESCRIPTION	DATE	APPROVED
A	NE-13149	REVISION TO PRODUCTION	09/18/2013	Roger Tsai
B	NE-18184	UPDATED PACKAGING	08/31/2018	Roger Tsai
C	NE-21169	REVISED INSULATOR CHAMFER	10/13/2021	Roger Tsai
DX1	PCN_1439	ADDED 2*6POS. PKG	09/20/2022	Roger Tsai



**NOTES:**

- INSULATOR: LCP, UL 94V-0, COLOR- BLACK
- CONTACT: COPPER ALLOY, "XXX"- PIN CONTACT/SOLDER AREA PLATING  
 "005"- 15μ" GOLD/GOLD FLASH  
 "010"- 30μ" GOLD/GOLD FLASH  
 "018"- GOLD FLASH/GOLD FLASH  
 "025"- 5μ" GOLD/GOLD FLASH  
 "032"- 100μ" MATTE TIN/100μ" MATTE TIN  
 UNDER 50μ" NICKEL PLATING OVERALL
- THIS PRODUCT DOESN'T CONTAIN ENVIRONMENTAL HAZARDOUS MATERIALS PER DIRECTIVE 2011/65/EU & 2015/863/EU FOR RoHS. AND PER IEC 61249-2-21 FOR HALOGEN-FREE COMPLIANT.
- PACKING IS PER AMTA PACKING SPECIFICATION PKS-0001
- CURRENT RATING: 3.0 Amps/contact MAX.
- WITHSTANDING VOLTAGE: 1000V AC/MINUTE



**RECOMMENDED PCB LAYOUT**

G800 MR 298 XXX HR	1 x 10 = 10	25.40	22.86
G800 MR 299 XXX HR	1 x 9 = 9	22.86	20.32
G800 MR 300 XXX HR	1 x 8 = 8	20.32	17.78
G800 MR 301 XXX HR	1 x 7 = 7	17.78	15.24
G800 MR 302 XXX HR	1 x 6 = 6	15.24	12.70
G800 MR 303 XXX HR	1 x 5 = 5	12.70	10.16
G800 MR 304 XXX HR	1 x 4 = 4	10.16	7.62
G800 MR 305 XXX HR	1 x 3 = 3	7.62	5.08
G800 MR 306 XXX HR	1 x 2 = 2	5.08	2.54
<b>PART NUMBER</b>	<b>NO. OF POS.</b>	<b>A</b>	<b>B</b>

TOLERANCE		APPROVALS		DATE	TITLE		 Amphenol Corporation Amphenol Taiwan Corporation	
X.		DRAWN	Aqua Chou	09/20/2022	G800 SERIES, PIN HEADER SINGLE ROW, 2.54 PITCH VERTICAL, SMT TYPE		PART No. G800MRXXXXXHR DWG No. G800MRXXXXXHR REV. DX1	
X.X	±0.30	CHECKED	Joseph Jiang	09/20/2022				
X.XX	±0.20	APPROVED	Roger Tsai	09/20/2022				
X.XXX	±0.10	DWG TYPE		PROJECT CODE	UNIT	SIZE		
ANGULAR	±1°	CUST DWG		HEAD	mm	A3		
UNLESS OTHERWISE SPECIFIED					SCALE	1 OF 3		
					NA			

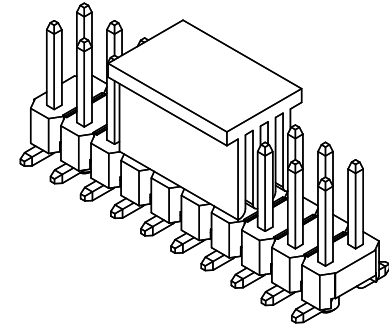
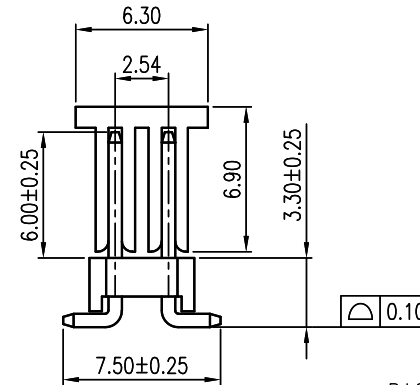
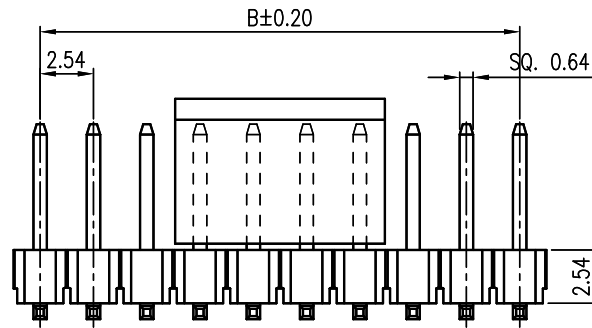
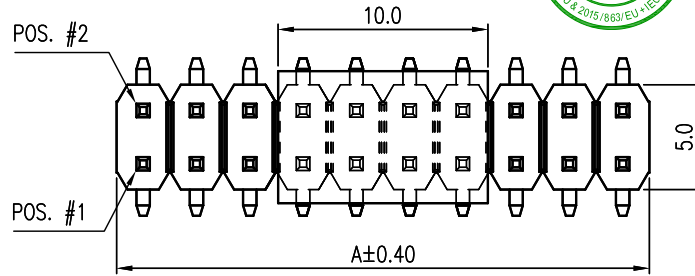
This document is the property of Amphenol Corporation and is delivered on the express condition that is not to be disclosed, reproduced or used, in whole or in part, for manufacture or sale by anyone other than Amphenol Corporation without its prior consent, and that no right is granted to disclose or to use any information in this document.

The marking on this product doesn't contain environmental hazardous materials per directive 2011/65/EU & 2015/863/EU for RoHS compliant and per IEC 61249-2-21 for Halogen-Free compliant.

**FOR REFERENCE ONLY**

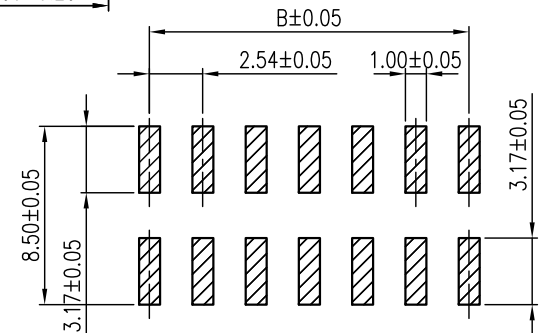


REVISIONS				
SYM	ECN No.	DESCRIPTION	DATE	APPROVED
A	NE-13149	REVISION TO PRODUCTION	09/18/2013	Roger Tsai
B	NE-18184	UPDATED PACKAGING	08/31/2018	Roger Tsai
C	NE-21169	REVISED INSULATOR CHAMFER	10/13/2021	Roger Tsai
DX1	PCN_1439	ADDED 2*6POS. PKG	09/20/2022	Roger Tsai



**NOTES:**

- INSULATOR: LCP, UL 94V-0, COLOR- BLACK
- CONTACT: COPPER ALLOY, "XXX"- PIN CONTACT/SOLDER AREA PLATING  
 "005"- 15μ" GOLD/GOLD FLASH  
 "010"- 30μ" GOLD/GOLD FLASH  
 "018"- GOLD FLASH/GOLD FLASH  
 "025"- 5μ" GOLD/GOLD FLASH  
 "032"- 100μ" MATTE TIN/100μ" MATTE TIN  
 UNDER 50μ" NICKEL PLATING OVERALL
- THIS PRODUCT DOESN'T CONTAIN ENVIRONMENTAL HAZARDOUS MATERIALS PER DIRECTIVE 2011/65/EU & 2015/863/EU FOR RoHS. AND PER IEC 61249-2-21 FOR HALOGEN-FREE COMPLIANT.
- PACKING IS PER AMTA PACKING SPECIFICATION PKS-0001
- CURRENT RATING: 3.0 Amps/contact MAX.
- WITHSTANDING VOLTAGE: 1000V AC/MINUTE



G800 MR 586 XXX HR	2 x 10 = 20	25.40	22.86
G800 MR 587 XXX HR	2 x 9 = 18	22.86	20.32
G800 MR 588 XXX HR	2 x 8 = 16	20.32	17.78
G800 MR 589 XXX HR	2 x 7 = 14	17.78	15.24
G800 MR 590 XXX HR	2 x 6 = 12	15.24	12.70
G800 MR 591 XXX HR	2 x 5 = 10	12.70	10.16
G800 MR 592 XXX HR	2 x 4 = 8	10.16	7.62
G800 MR 593 XXX HR	2 x 3 = 6	7.62	5.08
G800 MR 594 XXX HR	2 x 2 = 4	5.08	2.54
<b>PART NUMBER</b>	<b>NO. OF POS.</b>	<b>A</b>	<b>B</b>

TOLERANCE	APPROVALS	DATE	TITLE		PART No.		
X.	DRAWN	Aqua Chou	G800 SERIES, PIN HEADER DUAL ROWS, 2.54 PITCH VERTICAL, SMT TYPE		<b>Amphenol®</b> Amphenol Corporation Amphenol Taiwan Corporation		
X.X ±0.30	CHECKED	Joseph Jiang					
X.XX ±0.20	APPROVED	Roger Tsai					
X.XXX ±0.10			UNIT	mm	SIZE	A3	
ANGULAR ±1°	DWG TYPE	PROJECT CODE	SCALE	NA	SHEET	2 OF 3	
UNLESS OTHERWISE SPECIFIED	CUST DWG	HEAD			DWG No.	G800MRXXXXXHR	REV. DX1

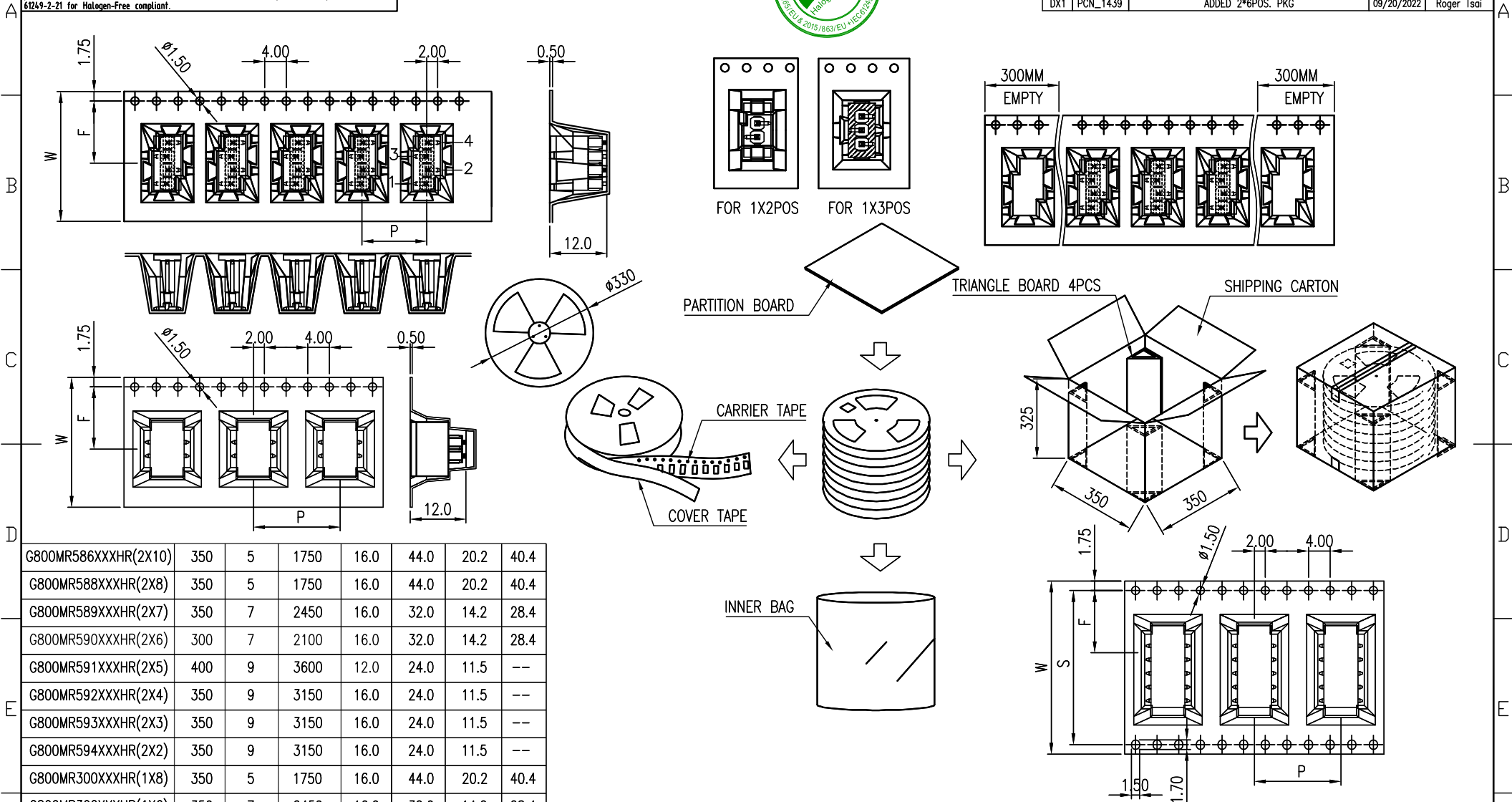
This document is the property of Amphenol Corporation and is delivered on the express condition that is not to be disclosed, reproduced or used, in whole or in part, for manufacture or sale by anyone other than Amphenol Corporation without its prior consent, and that no right is granted to disclose or to use any information in this document.

The marking on this product doesn't contain environmental hazardous materials per directive 2011/65/EU & 2015/863/EU for RoHS compliant and per IEC 61249-2-21 for Halogen-Free compliant.

**FOR REFERENCE ONLY**



REVISIONS				
SYM	ECN No.	DESCRIPTION	DATE	APPROVED
A	NE-13149	REVISION TO PRODUCTION	09/18/2013	Roger Tsai
B	NE-18184	UPDATED PACKAGING	08/31/2018	Roger Tsai
C	NE-21169	REVISED INSULATOR CHAMFER	10/13/2021	Roger Tsai
DX1	PCN_1439	ADDED 2*6POS. PKG	09/20/2022	Roger Tsai



G800MR586XXXHR(2X10)	350	5	1750	16.0	44.0	20.2	40.4
G800MR588XXXHR(2X8)	350	5	1750	16.0	44.0	20.2	40.4
G800MR589XXXHR(2X7)	350	7	2450	16.0	32.0	14.2	28.4
G800MR590XXXHR(2X6)	300	7	2100	16.0	32.0	14.2	28.4
G800MR591XXXHR(2X5)	400	9	3600	12.0	24.0	11.5	--
G800MR592XXXHR(2X4)	350	9	3150	16.0	24.0	11.5	--
G800MR593XXXHR(2X3)	350	9	3150	16.0	24.0	11.5	--
G800MR594XXXHR(2X2)	350	9	3150	16.0	24.0	11.5	--
G800MR300XXXHR(1X8)	350	5	1750	16.0	44.0	20.2	40.4
G800MR302XXXHR(1X6)	350	7	2450	16.0	32.0	14.2	28.4
G800MR303XXXHR(1X5)	500	9	4500	12.0	24.0	11.5	--
G800MR304XXXHR(1X4)	500	9	4500	12.0	24.0	11.5	--
G800MR305XXXHR(1X3)	350	9	3150	16.0	24.0	11.5	--
G800MR306XXXHR(1X2)	350	9	3150	16.0	24.0	11.5	--
P/N (POS.)	PCS/REEL	REELS/BOX	QUANTITY (PCS)	DIM P (MM)	DIM W (MM)	DIM F (MM)	DIM S (MM)

TOLERANCE	APPROVALS	DATE	TITLE		PART No.	
X. ±0.30	DRAWN Aqua Chou	09/20/2022	G800 SERIES, PIN HEADER DUAL ROWS, 2.54 PITCH VERTICAL, SMT TYPE		<b>Amphenol®</b> Amphenol Corporation Amphenol Taiwan Corporation	
X.X ±0.20	CHECKED Joseph Jiang	09/20/2022				
X.XXX ±0.10	APPROVED Roger Tsai	09/20/2022	UNIT mm		SIZE A3	PART No. G800MRXXXXXHR
ANGULAR ±1°	DWG TYPE CUST DWG	PROJECT CODE HEAD	SCALE NA		SHEET 3 OF 3	DWG No. G800MRXXXXXHR
UNLESS OTHERWISE SPECIFIED						REV. DX1