

Micro-D, 0.050" Pitch, Connector Saver

Cinch DURA-CON Micro-D connector savers reduce damage to installed connectors during routine systems tests. The connector savers eliminate numerous mating and unmating cycles experienced by connectors on test harnesses. Locking hardware must be ordered separately. Contact reliability is assured with the Twist Pin design that provides 7 points of contact when mated.



Features

- Designed to significantly reduce damage to already mounted Dura-Con connectors during routine system tests.
- Eliminates numerous mating & unmating cycles experienced by connectors on test harnesses.
- Plug connector on one end, socket connector on the other.
- Available in all-plastic (polyester) or in metal shell with diallyl phthalate or polyester insulators (both UL94V-0 rated).
- Locking hardware must be ordered separately.

Materials

Insulator	UL94V-0 glass-filled polyester or diallyl phthalate
Contacts	Copper alloy
Contact Plating	0.000050 in gold
Shell (Metal Only)	Aluminum alloy
Shell Plating	Yellow chromate over cadmium

Environmental

Operating Temperature	-55°C to +135°C
-----------------------	-----------------

Electrical

Current Rating	3 Amps maximum
Withstanding Voltage	600 VAC RMS @ sea level
Contact Resistance	8 milliohms maximum

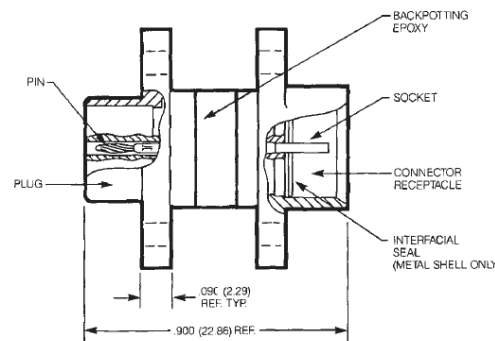
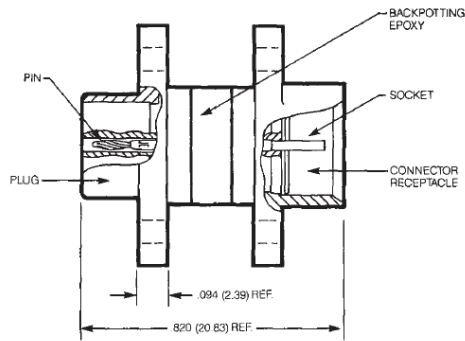
Mechanical

Individual Contact	Insertion force, 6 oz. (170.40 g) maximum; Withdrawal force 0.5 oz. (14.20 g) minimum
--------------------	---



SPECIFICATIONS

Dura-Con™



Dura-Con, micro-d connector savers

No of Positions	Glass-Filled Polyester Catalog No	Mates to
9	DCDM9CS	DCCM9P*, DCCM9S*, DCDM9P*, DCDM9S*, M83513/01-A*, M83513/02-A*, M83513/03-A*, M83513/04-A*, M83513/10-A*, M83513/13-A*, M83513/16-A*, M83513/19-A*, M83513/22-A*, M83513/25-A*
15	DCDM15CS	DCCM15P*, DCCM15S*, DCDM15P*, DCDM15S*, M83513/01-B*, M83513/02-B*, M83513/03-B*, M83513/04-B*, M83513/10-B*, M83513/13-B*, M83513/16-B*, M83513/19-B*, M83513/22-B*, M83513/25-B*
21	DCDM21CS	DCCM21P*, DCCM21S*, DCDM21P*, DCDM21S*, M83513/01-C*, M83513/02-C*, M83513/03-C*, M83513/04-C*, M83513/10-C*, M83513/13-C*, M83513/16-C*, M83513/19-C*, M83513/22-C*, M83513/25-C*
25	DCDM25CS	DCCM25P*, DCCM25S*, DCDM25P*, DCDM25S*, M83513/01-D*, M83513/02-D*, M83513/03-D*, M83513/04-D*, M83513/10-D*, M83513/13-D*, M83513/16-D*, M83513/19-D*, M83513/22-D*, M83513/25-D*
31	DCDM31CS	DCCM31P*, DCCM31S*, DCDM31P*, DCDM31S*, M83513/01-E*, M83513/02-E*, M83513/03-E*, M83513/04-E*, M83513/10-E*, M83513/13-E*, M83513/16-E*, M83513/19-E*, M83513/22-E*, M83513/25-E*
37	DCDM37CS	DCCM37P*, DCCM37S*, DCDM37P*, DCDM37S*, M83513/01-F*, M83513/02-F*, M83513/03-F*, M83513/04-F*, M83513/10-F*, M83513/13-F*, M83513/16-F*, M83513/19-F*, M83513/22-F*, M83513/25-F*
51	DCDM51CS	DCCM51P*, DCCM51S*, DCDM51P*, DCDM51S*, M83513/01-G*, M83513/02-G*, M83513/03-G*, M83513/04-G*, M83513/11-G*, M83513/14-G*, M83513/17-G*, M83513/20-G*, M83513/23-G*, M83513/26-G*
100	DCDM100CS	DCCM100P*, DCCM100S*, DCDM100P*, DCDM100S*, M83513/01-H*, M83513/02-H*, M83513/03-H*, M83513/04-H*, M83513/12-H*, M83513/15-H*, M83513/18-H*, M83513/21-H*, M83513/24-H*, M83513/27-H*



Asia Pacific
+86 21 5442 7668
ccs.asia.sales@as.cinch.com

Europe, Middle East & Africa
+44 (0) 1245 342060
CinchConnectivity@eu.cinch.com

North America
+1 507.833.8822
inquiry@us.cinch.com

belfuse.com/cinch