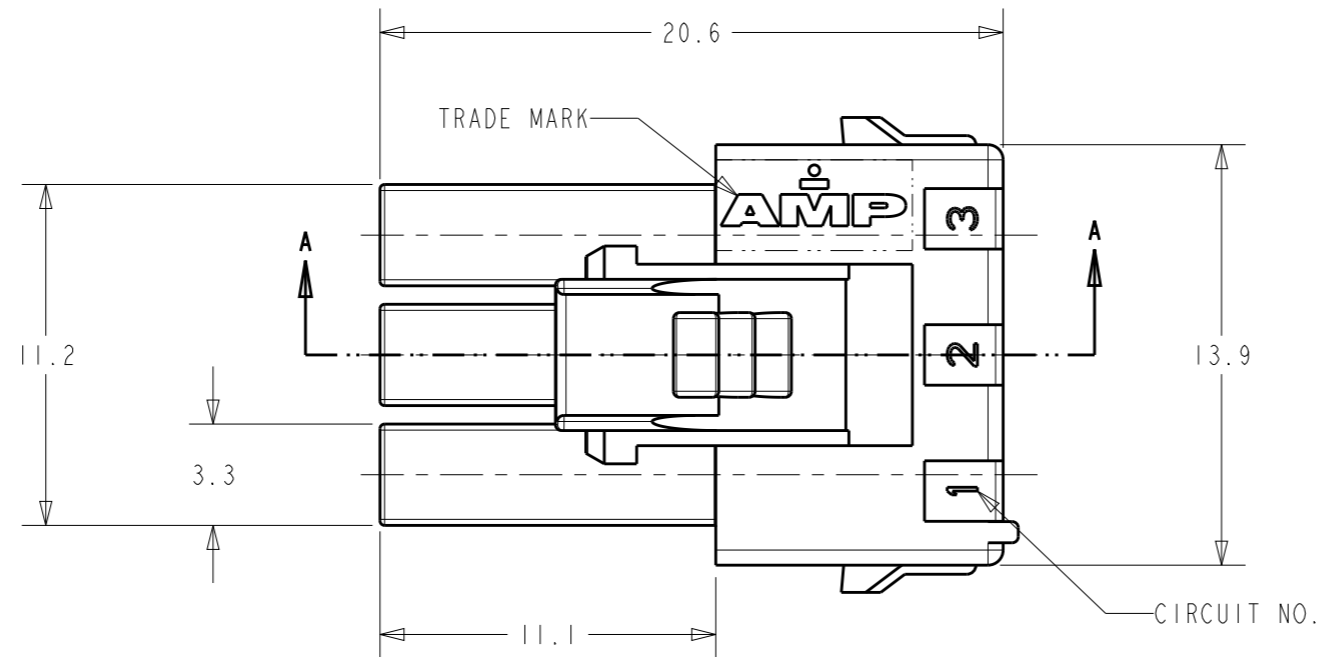


THIS DRAWING IS UNPUBLISHED. RELEASED FOR PUBLICATION 20

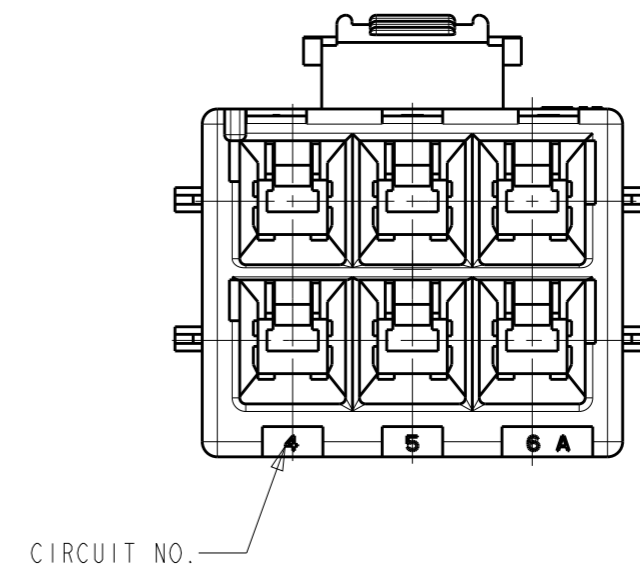
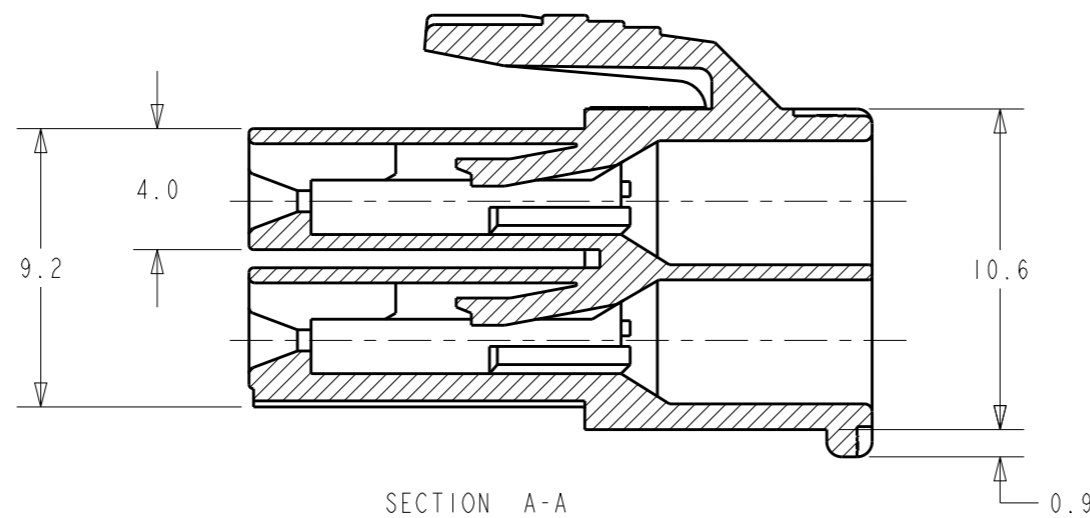
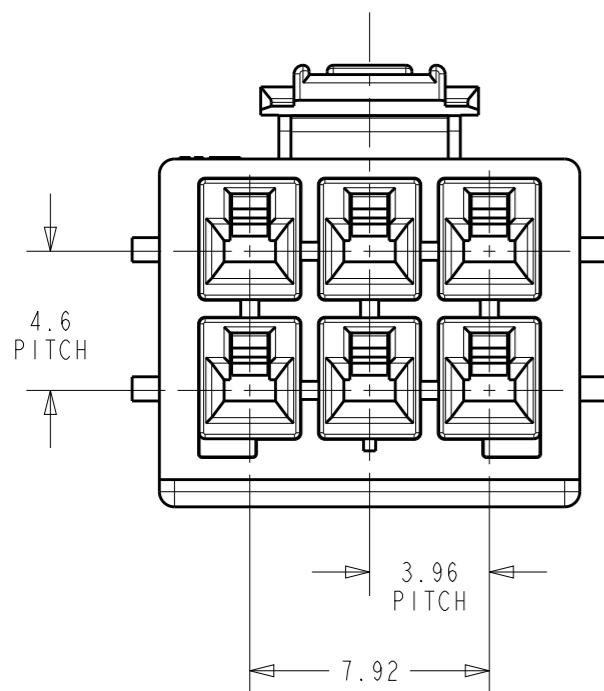
© COPYRIGHT 2018 BY - TE CONNECTIVITY ALL RIGHTS RESERVED.

REVISIONS

P	LTR	DESCRIPTION	DATE	DWN	APVD
D		REVISED PER ECR-19-009721	01JUL2019	M.G	D.Z



- 1 THIS HOUSING ACCEPTS RECEPTACLE TERMINAL:  
- REC CONTACT: 177915-□ (AWG #16-#20)  
: 177914-□ (AWG #22-#26)
- 2 MATING CONN. P/N  
- CAP HOUSING: 2005253-□ (FREE HANGING)  
: 368588-□ (PANEL MOUNT)  
- TAB CONTACT: 177917-□ (AWG #16-#20)  
: 177916-□ (AWG #22-#26)  
- PC BOARD MOUNT(ASS'Y): 179841-□
- 3 APPLICABLE DOUBLE LOCK PLATE: 177919-1  
\* IT SHOULD BE USED CERTAINLY WHEN CABLE ASS'Y
- 4 GENERAL TOLERANCES: ±0.3
- 5 MATERIAL: PA66, UL94 V-0.  
COMPLY WITH GLOW WIRE REQUIREMENT FOR PARTS OF  
NON-METALLIC MATERIALSUPPORTING A CURRENT-CARRYING  
CONNECTION DETAILED IN IEC 60335-1, SECTION 30(GWT)



COLOR	PART NUMBER
BLUE	368576-6
YELLOW	368576-4
RED	368576-2
NATURAL	368576-1

THIS DRAWING IS A CONTROLLED DOCUMENT.		DWN SC KIM		<b>TE Connectivity</b>	
DIMENSIONS: mm		CHK BW KANG			
		TOLERANCES UNLESS OTHERWISE SPECIFIED:		NAME PDL 6P PLUG 3.96mm D/R (GWT)	
		0 PLC ± 1 PLC ± 2 PLC ± 3 PLC ± 4 PLC ± ANGLES ±		APVD JK SONG	
MATERIAL 5		FINISH -		PRODUCT SPEC 108-5410	
				APPLICATION SPEC 114-5175	
				WEIGHT	
		CUSTOMER DRAWING		SIZE A3	
				CAGE CODE 00779	
				DRAWING NO C-368576	
				RESTRICTED TO -	
				SCALE 4:1	
				SHEET 1 OF 1	
				REV D	