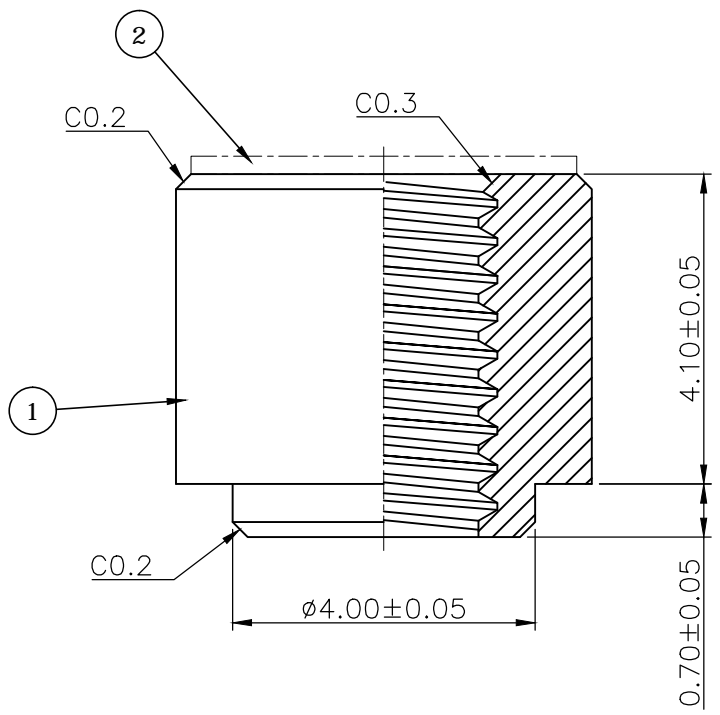
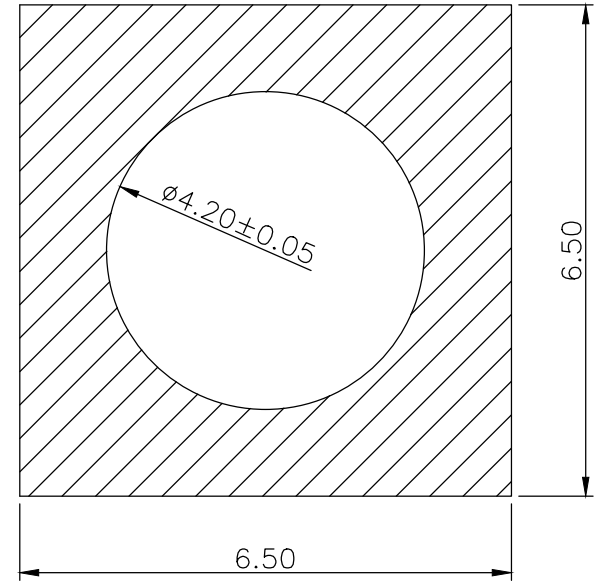
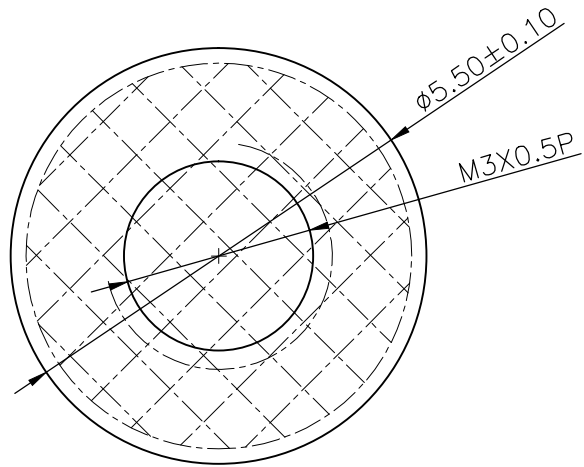


REV.	DESCRIPTION	DRAWN	DATE
1	INITIAL RELEASE	TIM	2018/01/19



RECOMMEND LAYOUT
GENERAL TOLERANCE: ± 0.1

2	MYLAY		
1	NUT	Copper Alloy, Sn plated	
NO.	PART NAME	DESCRIPTION	
UNLESS OTHERWISE SPECIFIED TOLERANCE			
UNIT:	DECIMAL	LINEAR	ANGLES
mm	X.	± 0.50	$\pm 5^\circ$
	X.X	± 0.25	$\pm 3^\circ$
	X.XX	± 0.12	$\pm 1^\circ$
			WWW.ATTEND.COM.TW
DRAWN	Tim	2018/01/19	DRAWN NAME:
CHECKED	Fros	2018/01/19	M.2 Connector Stand off
APPROVED	Ken	2018/01/19	PRODUCT NO.
			123A-NUT-58
	SCALE	SHEET	SIZE
	10/1	1/1	A4
	FILE NAME	123A-NUT-58_B_1	

