

# Spezifikation für Freigabe / specification for release

Kunde / customer :

Artikelnummer / part number :

**749052014**



Bezeichnung :

**LAN-Übertrager WE-LAN 10G**

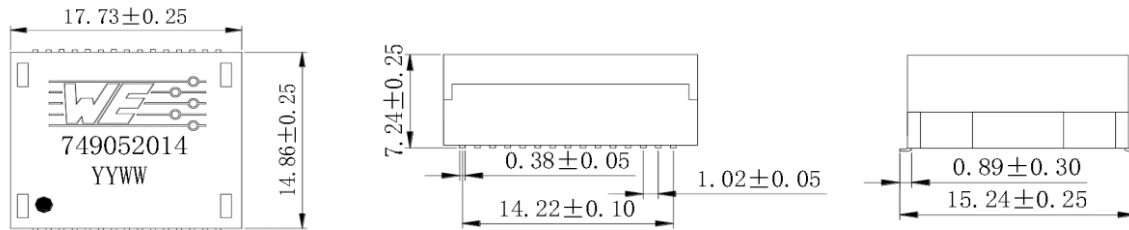
description :

**LAN-Transformer WE-LAN 10G**

DATUM / DATE : 2018-02-12

**A Mechanische Abmessungen / dimensions :**

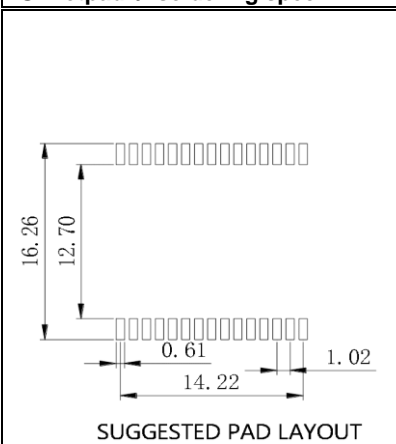
**10G BaseT with CMS channel**



**B Elektrische Eigenschaften / electrical properties :**

Eigenschaften / properties	Testbedingungen / test conditions		Wert / value	Einheit / unit	tol.
Induktivität / Inductance	100kHz / 100mV	OCL	180	μH	min.
Übersetzungsverhältnis / Turns ratio	100kHz / 100mV	TR	1:1		±5%
Insertion Loss	100KHz-1MHz	IL	-3.0	dB	max.
	1MHz-250MHz		-1.0		
	250MHz-500MHz		-1.1		
Return Loss	1-40MHz	RL	-24.0	dB	min.
	40MHz-100MHz		-22.0		
	100MHz-250MHz		-10.0		
	250MHz-500MHz		-17.0		
Common to Differential Mode Rejection	1MHz-100MHz	CDMR	-19.0	dB	min.
	100MHz-250MHz		-17.0		
	250MHz-500MHz		-13.0		
Common to Common Mode Rejection	1MHz-100MHz	CMRR	-19.0	dB	min.
	100MHz-250MHz		-17.0		
	250MHz-500MHz		-13.0		
Crosstalk	1MHz-100MHz	CT	-40.0	dB	min.
	100MHz-500MHz		-30.0		

**C Lötpad / soldering spec. :**



**D Prüfgeräte / test equipment :**

Agilent E5071C

**E Testbedingungen / test conditions :**

Luftfeuchtigkeit / Humidity: 33%  
Umgebungstemperatur / Temperature: +25°C

**F Werkstoffe & Zulassungen / material & approvals :**

Basismaterial / Base material: Ferrit / Ferrite  
 Draht / Wire: QPN 180  
 Kontaktmaterial / Contact plating: Cu-Ni-Sn  
 Gehäuse / Case: UL94V-0  
 Verguss / Potting: UL94V-0

**G Eigenschaften / general specifications :**

Betriebstemp. / Operating temperature: -40°C - +105°C  
 Hochspannungsprüfung / Hipot test: 1500Vrms 1min.  
 Feuchtempfindlichkeit: MSL 1 / Humidity class: MSL 1  
 CMS (Common Mode Sense) Channel integriert. Kompatibel mit INTEL X557 PHY Chip  
 CMS (Common Mode Sense) Channel integrated. Compatible with INTEL X557 PHY Chip

Freigabe erteilt / general release:

Kunde / customer

Datum / date

Unterschrift / signature

Würth Elektronik

Geprüft / checked

Kontrolliert / approved

JaB	Version 01	2018-02-12
Name	Änderung / modification	Datum / date

**Würth Elektronik eiSos GmbH & Co.KG**

D-74638 Waldenburg · Max-Eyth-Straße 1 - 3 · Germany · Telefon (+49) (0) 7942 - 945 - 0 · Telefax (+49) (0) 7942 - 945 - 400  
http://www.we-online.com

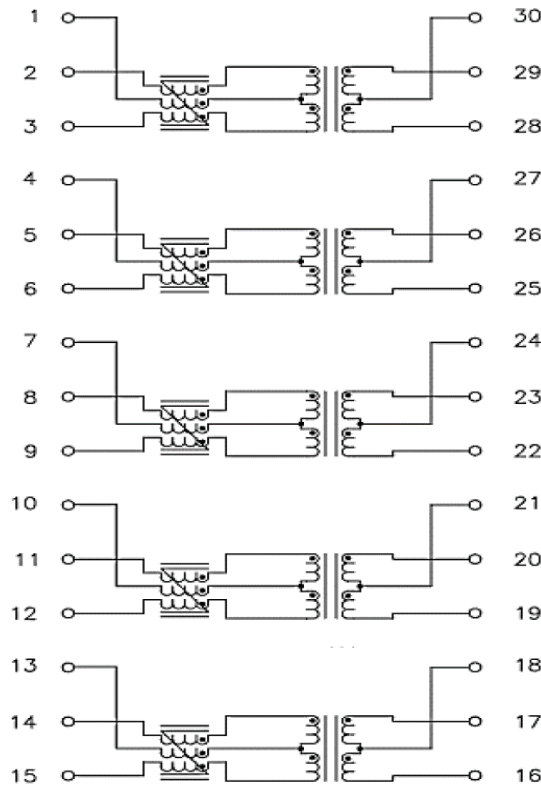
# Spezifikation für Freigabe / specification for release

Kunde / customer :  
 Artikelnummer / part number : **749052014**  
 Bezeichnung : **LAN-Übertrager WE-LAN 10G**  
 description : **LAN-Transformer WE-LAN 10G**



**WÜRTH ELEKTRONIK**  
 DATUM / DATE : 2018-02-12

**H Schaltbild / Schematics :**



Freigabe erteilt / general release:	<b>Kunde / customer</b>			
.....	.....			
Datum / date	Unterschrift / signature			
	<b>Würth Elektronik</b>			
.....	.....	JaB	Version 01	2018-02-12
Geprüft / checked	Kontrolliert / approved	Name	Änderung / modification	Datum / date

This electronic component has been designed and developed for usage in general electronic equipment. Before incorporating this component into any equipment where higher safety and reliability is especially required or if there is the possibility of direct damage or injury to human body, for example in the range of aerospace, aviation, nuclear control, submarine, transportation, (automotive control, train control, ship control), transportation signal, disaster prevention, medical, public information network etc, Würth Elektronik eiSos GmbH must be informed before the design-in stage. In addition, sufficient reliability evaluation checks for safety must be performed on every electronic component which is used in electrical circuits that require high safety and reliability functions or performance.

**Würth Elektronik eiSos GmbH & Co.KG**

D-74638 Waldenburg · Max-Eyth-Straße 1 - 3 · Germany · Telefon (+49) (0) 7942 - 945 - 0 · Telefax (+49) (0) 7942 - 945 - 400  
<http://www.we-online.com>

# Spezifikation für Freigabe / specification for release

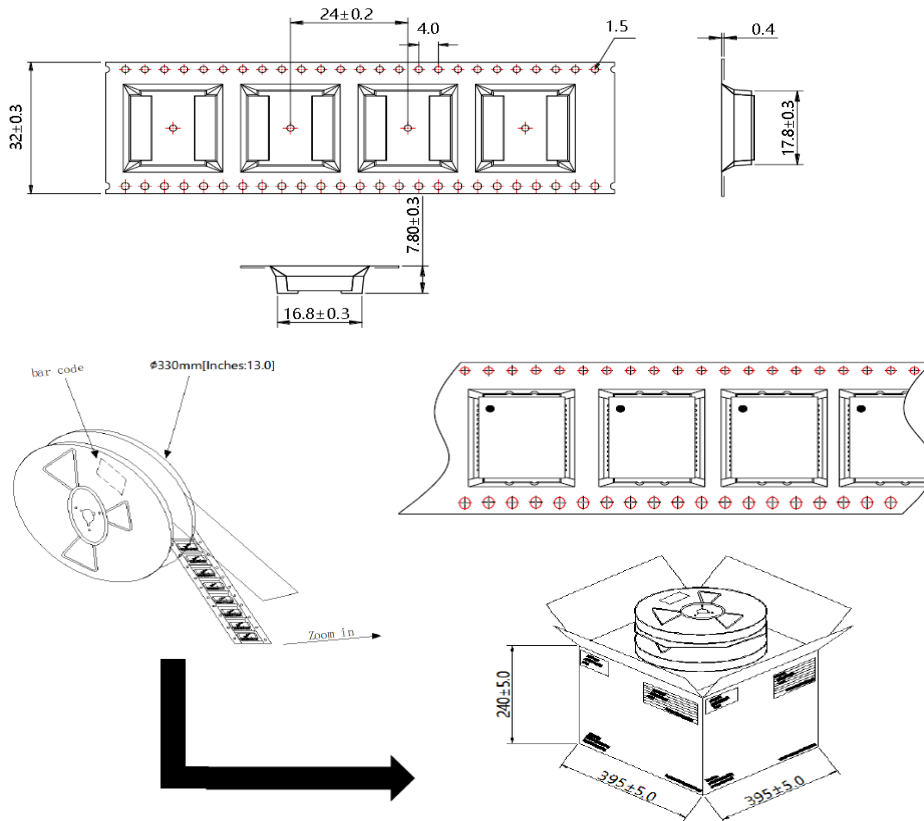
Kunde / customer :  
 Artikelnummer / part number : **749052014**  
 Bezeichnung : **LAN-Übertrager WE-LAN 10G**  
 description : **LAN-Transformer WE-LAN 10G**



DATUM / DATE : 2018-02-12

**I Rollenspezifikation / tape and reel specification :**

Gurtspezifikation / Tape specification:



**Packaging Quantity:**

350 pcs/Reel  
 1750 pcs/carton

Freigabe erteilt / general release:	<b>Kunde / customer</b>			
.....	.....			
Datum / date	Unterschrift / signature			
.....	<b>Würth Elektronik</b>			
Geprüft / checked	Kontrolliert / approved	JaB	Version 01	2018-02-12
.....	.....	Name	Änderung / modification	Datum / date

This electronic component has been designed and developed for usage in general electronic equipment. Before incorporating this component into any equipment where higher safety and reliability is especially required or if there is the possibility of direct damage or injury to human body, for example in the range of aerospace, aviation, nuclear control, submarine, transportation, (automotive control, train control, ship control), transportation signal, disaster prevention, medical, public information network etc. Würth Elektronik eiSos GmbH must be informed before the design-in stage. In addition, sufficient reliability evaluation checks for safety must be performed on every electronic component which is used in electrical circuits that require high safety and reliability functions or performance.

**Würth Elektronik eiSos GmbH & Co.KG**

D-74638 Waldenburg · Max-Eyth-Straße 1 - 3 · Germany · Telefon (+49) (0) 7942 - 945 - 0 · Telefax (+49) (0) 7942 - 945 - 400  
<http://www.we-online.com>