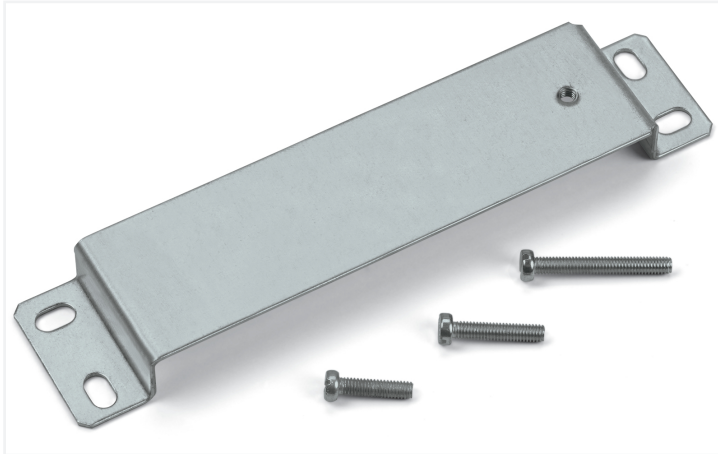


Data Sheet | Item Number: 787-895

Mounting carrier; for screw fixing of 787-8xx devices on mounting plate or wall without DIN 35 rail; gray

<https://www.wago.com/787-895>



Color: ■ gray

Short description:

WAGO's wall-mount adapter replaces the rail support of the 787-8xx device. The adapter is secured to the 787-8xx device via provided screws.

Physical data

Width	35 mm / 1.378 inches
Height	15 mm / 0.591 inches
Depth	158.5 mm / 6.24 inches

Mechanical data

Mounting type	Mounting holes: 4 slots, 5.3 mm x 9 mm; Mounting hole spacing: 143 mm x 19.5 mm
Mounting type	Wall-mount

Material data

Material	Coated steel
Color	gray
Fire load	0 MJ
Weight	100 g

Commercial data

Product Group	6 (INTERFACE ELECTRONIC)
PU (SPU)	5 (1) pcs
Packaging type	Box
Country of origin	DE
GTIN	4050821099468
Customs tariff number	39269097900

Product Classification

UNSPSC	39121702
eCl@ss 10.0	27-18-28-13
eCl@ss 9.0	27-18-92-63
ETIM 9.0	EC002622
ETIM 10.0	EC002622
ECCN	NO US CLASSIFICATION

Environmental Product Compliance

RoHS Compliance Status	Compliant, No Exemption
------------------------	-------------------------

Downloads

Environmental Product Compliance

Compliance Search

Environmental Product Compliance 787-895	↓
--	-------------------

Documentation

Installation manual

Wandmontageadapter	pdf 53.10 KB	↓
--------------------	-----------------	-------------------

Bid Text

787-895	01.04.2015	doc 25.00 KB	↓
787-895	19.02.2019	xml 3.44 KB	↓

CAD/CAE-Data

CAD data

2D/3D Models 787-895	↓
----------------------	-------------------

CAE data

WSCAD Universe 787-895	↓
ZUKEN Portal 787-895	↓

Subject to changes. Please also observe the further product documentation!

Current addresses can be found at: www.wago.com