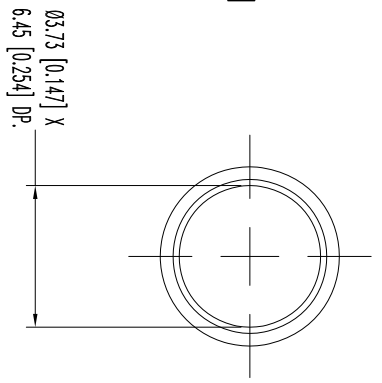
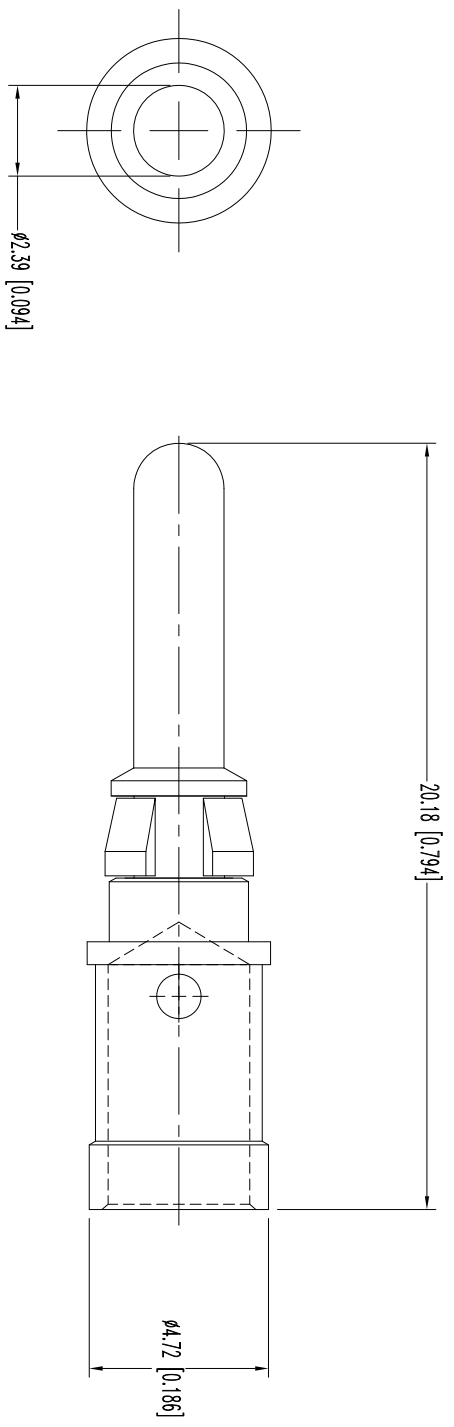



THIS DRAWING CONTAINS INFORMATION PROPRIETARY TO POSTTRONIC AND ITS SUBSIDIARIES. POSTTRONIC BELIEVES THE DATA ON THIS DRAWING TO BE RELIABLE SINCE THE DRAWING IS THE PROPERTY OF POSTTRONIC. THE USER ASSUMES SUCH INFORMATION AT HIS OWN DISCRETION AND RISK. POSTTRONIC ASSUMES NO RESPONSIBILITY FOR RESULTS OBTAINED OR DAMAGES INCURRED FROM USE OF SUCH INFORMATION UNLESS OTHERWISE STATED.

SK11380

DATE	REV	REVISION RECORD	APP	DR	OK
3-10-10	NC	ECO 322226	TK	BS	TK
1-17-13	A	ECO 38213	COLF	BE	COLF



- NOTES:
1. MATERIALS AND FINISHES:
CONTACT: COPPER ALLOY, GOLD FLASH OVER NICKEL PLATE.
RETENTION CLIP: BERYLLIUM COPPER, GOLD FLASH OVER NICKEL PLATE.
 2. DETAILED PRODUCT, MECHANICAL, AND ELECTRICAL INFORMATION IS AVAILABLE IN THE LATEST INFINITY PRODUCT PUBLICATION. VISIT CONNECTPOSTTRONIC.COM/PRODUCTS/64/INFINITY OR CONNECTPOSTTRONIC.COM.
 3. CONTACTS ARE COMPLIANT TO THE CURRENT ROHS DIRECTIVE.
 4. DIMENSIONS ARE IN MILLIMETERS [INCHES].

 <p>POSTTRONIC INDUSTRIES INC. www.connectposttronic.com</p>		SCALE		DRAWN BY		FSCM 28198	
		INFINITY SERIES		N.T.S.		B SHELLBUDY	
TITLE		DATE		DRAWING NUMBER		REV.	
MC610N/AA		3-10-10		SK11380		A	
DECIMAL TOL.		ANGULAR TOL.					
± 0.38 [0.015]		± 5°					