

Customer Part:

Description

- 2.0 x 1.2mm SMD crystal in a hermetically sealed ceramic package with an electron beam sealed metal lid. Suitable for real time clock applications.
- Model IQXC-25
- Model Issue number 5

Frequency Parameters

- Frequency 32.7680kHz
- Frequency Tolerance $\pm 20.00\text{ppm}$
- Tolerance Condition @ 25°C $\pm 5^\circ\text{C}$
- Operating Temperature Range -40.00 to 85.00°C
- Overtone Order Fundamental
- Ageing $\pm 3\text{ppm max per year @ } 25^\circ\text{C}$
- Frequency Stability Coefficient: $-0.03 \pm 0.01\text{ppm}/^\circ\text{C}^2$
- Drive Level: 0.1µW recommended, $\pm 0.5\mu\text{W max}$
- Motional Capacitance (C1): 6.5fF typ

Electrical Parameters

- Load Capacitance (CL) 7.00pF
- Shunt Capacitance (C0) 1.3pF typ, 1.7pF max
- ESR 90.00kΩ max

Environmental Parameters

- Storage Temperature Range: -55 to 125°C
- Shock: IEC 60068-2-27: 1000g, 1ms, 3 times in each of the 3 mutually perpendicular planes.
- Vibration: IEC 60068-2-6: 1.5mm amplitude, 10Hz-55Hz, 1min in 3 mutually perpendicular planes for the total of 6 hours (2 hours in each plane).

Manufacturing Details

- Maximum Reflow Temperature: 260°C for 5secs max
- RoHS Terminations Au over Ni over W base
- RoHS Reflow Temp 260°C max for 5secs max

Compliance

- RoHS Status (2015/863/EU) Compliant
- REACH Status Compliant
- MSL Rating (JDEC-STD-033): Not Applicable

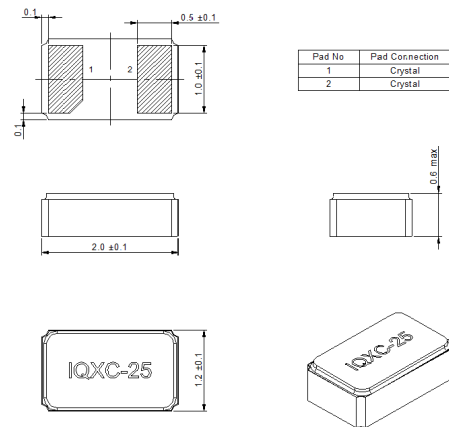
Packaging Details

- Tape & reel in accordance with EIA-481
Quantities below the standard reel size to be supplied on cut tape.

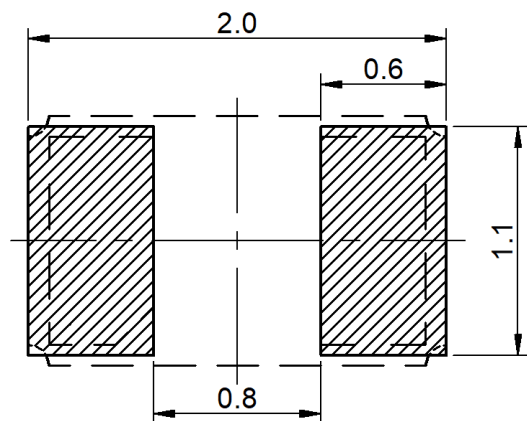
Standard Pack Quantity: 3,000



Outline (mm)



Recommended Solder Pad Layout



Sales Office Contact Details:

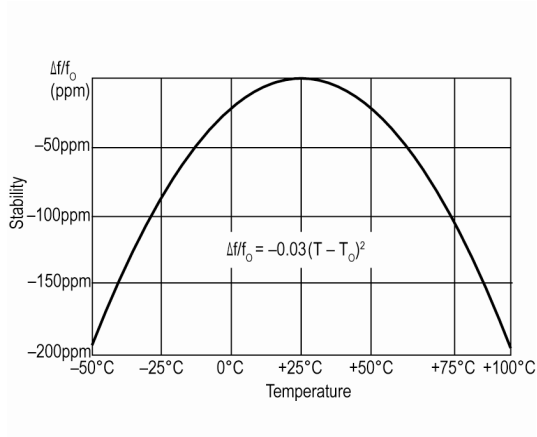
UK: +44 (0)1460 270200

Email: info@iqdfrequencyproducts.com

Web: www.iqdfrequencyproducts.com

Customer Part:

Typical Frequency Stability Characteristics



Sales Office Contact Details:

UK: +44 (0)1460 270200

Email: info@iqdfrequencyproducts.com

Web: www.iqdfrequencyproducts.com