



## CeeLok FAS-T CONNECTORS

---

10 GB/S ETHERNET CONNECTIVITY ... COMPACT ... RUGGED ...  
RELIABLE



10 Gb/s ethernet connectivity . . . compact . . . rugged . . . reliable



CeeLok FAS-T connectors offer a small form factor, field terminable I/O connector capable of 10 Gb/s Ethernet. Crimp-snap contacts enable easy termination and field repairability. The integral backshell offers easy 360-degree shield termination.

The compact size 8 shell helps designers meet the needs of reduced SWaP (size, weight, and power).

The connector's T-shaped contact pattern provides noise cancellation and decoupling to minimize crosstalk and increase signal integrity.

The CeeLok FAS-T connector is a true 100-ohm impedance connector that is compatible with Cat 5e and Cat 6a cables and protocols ranging from the USB and IEEE 1394 to gigabit and 10G Ethernet.

## HIGH SPEED

- Gigabit or 10 Gigabit rates
- Compatible with Cat 5e, Cat 6a or Cat 7 cables
- T-shaped pin pattern improves signal integrity through uniform crosstalk cancellation

## SPACE AND WEIGHT SAVINGS

- Compact size 8 shell

## EASY TERMINATION AND FIELD REPAIRABILITY

- Crimp-snap, 39029-style contacts

## FLEXIBLE BACKSHELL/SHIELDING OPTIONS

- Backshell integrated in plug body provides low profile, low cost, low weight strain relief and EMI protection
- Compatible with multiple braid termination techniques, adapter styles and seal boots

## RUGGED

- Scoop-proof design
- Insert assembly mechanically retained for  $\leq 25$  lb. retention force
- Robust coupling ring mechanism



# CeeLok FAS-T Connectors

---

## Performance Characteristics

### DATA RATES

---

- Gigabit and 10 Gigabit Ethernet when used with Cat 5e, Cat 6a or Cat 7 cables

### ELECTRICAL

---

- **Insulation Resistance:** 5000 MΩ ambient, 1000 MΩ @ 175°C
- **Dielectric Withstanding Voltage:** 500 VAC @ sea level, 100 VAC @ 70,000 ft.
- **Shielding Effectiveness:** per MIL-DTL-38999
- **Shell-to-Shell Conductivity:** 5 mV initial, 10 mV final

### MECHANICAL

---

- **Vibration, Sine:** MIL-DTL-38999 Series III (60 g), 4 hrs per axis, no elevated temperature
- **Vibration, Random:** EIA-364-28 Condition VI Letter J (43.92 g)
- **Durability:** 500 mating cycles
- **Contact Retention:** 10 lb. min.
- **Coupling Torque:** 8 in-lb. max.

### ENVIRONMENTAL PROPERTIES

---

- **Operating Temperature:** -65°C to +175°C
- **Sealing:** Altitude immersion: 70,000 ft. (mated condition)
- **IP67:** Mated condition
- **IPX6 (water jet):** Receptacle, panel mounted (unmated condition)
- **Corrosion Resistance:** 500 hr. salt mist

### MATERIALS

---

- **Shell:** Electroless nickel for DOD-approved, RoHS-compliance, corrosion resistance (500 hr salt mist)
- **Insert:** High-temperature thermoplastic for excellent temperature endurance
- Low dielectric constant for superior signal integrity
- **Contacts:** Beryllium copper alloy

### STANDARDS AND SPECIFICATIONS

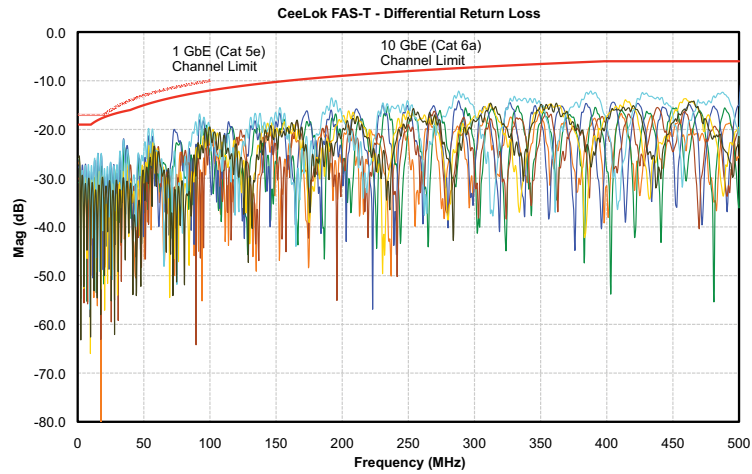
---

- **Product Specification:** 108-2482
- **Application Specification:** 114-32025
- **Instruction Sheet:** 408-32046
- **Test Report:** 501-134002
- **Electrical Performance Report:** 505-116000

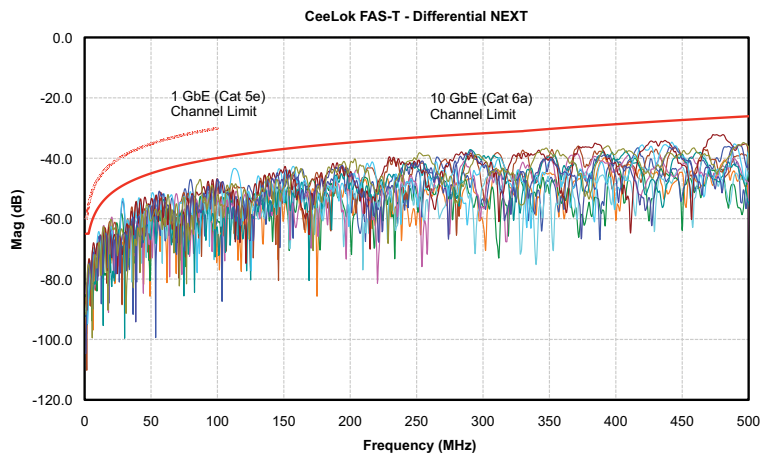


# CeeLok FAS-T Connectors

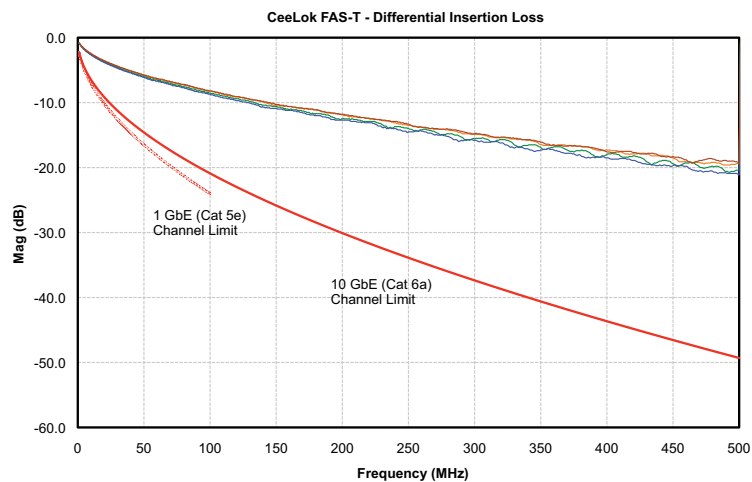
## CeeLok FAS-T Connectors



CeeLok FAS-T  
Differential Return Loss



CeeLok FAS-T  
Differential NEXT



CeeLok FAS-T  
Differential Insertion Loss

# CeeLok FAS-T Connectors

## CeeLok FAS-T Connectors

| Type                          | Contacts Included | Key | Part No.           |                   |
|-------------------------------|-------------------|-----|--------------------|-------------------|
|                               |                   |     | Electroless Nickel | Black Zinc Nickel |
| Plug                          | Socket            | N   | 2102353-1          | 2102353-2         |
|                               |                   | A   | 2102353-3          | 2102353-4         |
|                               |                   | B   | 2102353-5          | 2102353-6         |
|                               | None              | N   | 2102353-7          | 2102353-8         |
|                               |                   | A   | 2102353-9          | 1-2102353-0       |
|                               |                   | B   | 1-2102353-1        | 1-2102354-2       |
| Receptacle                    | Pin               | N   | 2102352-1          | 2102352-2         |
|                               |                   | A   | 2102352-3          | 2102352-4         |
|                               |                   | B   | 2102352-5          | 2102352-6         |
|                               | None              | N   | 2102352-7          | 2102352-8         |
|                               |                   | A   | 2102352-9          | 1-2102352-0       |
|                               |                   | B   | 1-2102352-1        | 1-2102352-2       |
| Box-Mount Receptacle          | Pin               | N   | 2102343-1          | 2102343-2         |
|                               |                   | A   | 2102343-3          | 2102343-4         |
|                               |                   | B   | 2102343-5          | 2102343-6         |
|                               | None              | N   | 2102343-7          | 2102343-8         |
|                               |                   | A   | 2102343-9          | 1-2102343-0       |
|                               |                   | B   | 1-2102343-1        | 1-2102343-2       |
| Box-Mount Receptacle, PC Tail | Pin               | N   | 2102453-1          | 2102453-2         |
|                               | Pin               | A   | 2102453-3          | 2102453-4         |
|                               | Pin               | B   | 2102453-5          | 2102453-6         |
| Jam Nut Receptacle, PC Tail   | Pin               | N   | 2102351-1          | 2102351-2         |
|                               | Pin               | A   | 2102351-3          | 2102351-4         |
|                               | Pin               | B   | 2102351-5          | 2102351-6         |

### Contacts

| Wire Size   | Part No.  |                |
|-------------|-----------|----------------|
|             | Pin       | Socket, Hooded |
| 24 - 26 AWG | 2102349-3 | 2102350-5      |

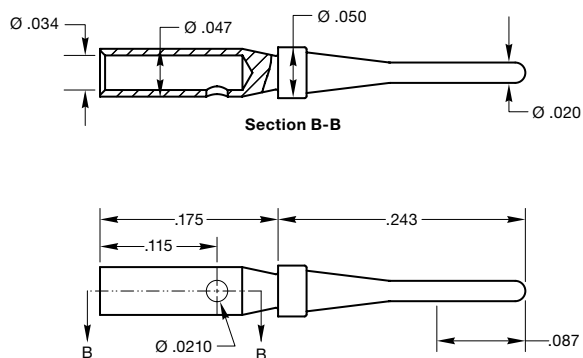
### Application Tooling

**Hand Crimp Tool:**  
M22520/2-01

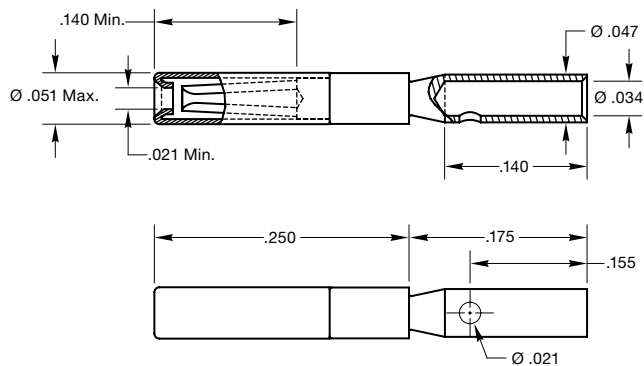
**Crimp Positioner:**  
TE Part No. 2217375-1

**Insertion/Extraction Tool:**  
TE Part No. 2217376-1

### Pin



### Socket



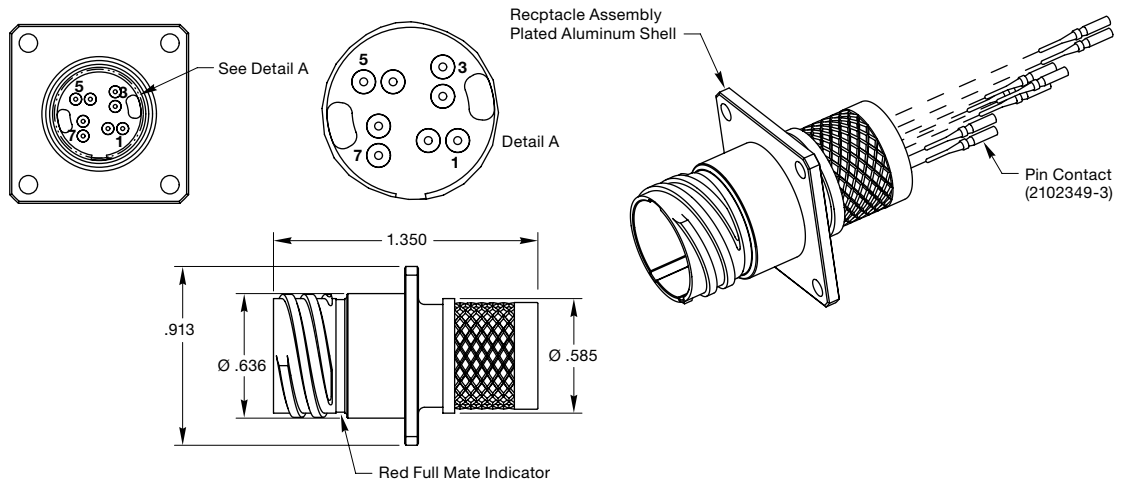
# CeeLok FAS-T Connectors

## CeeLok FAS-T Connectors

### PRODUCT DIMENSIONS

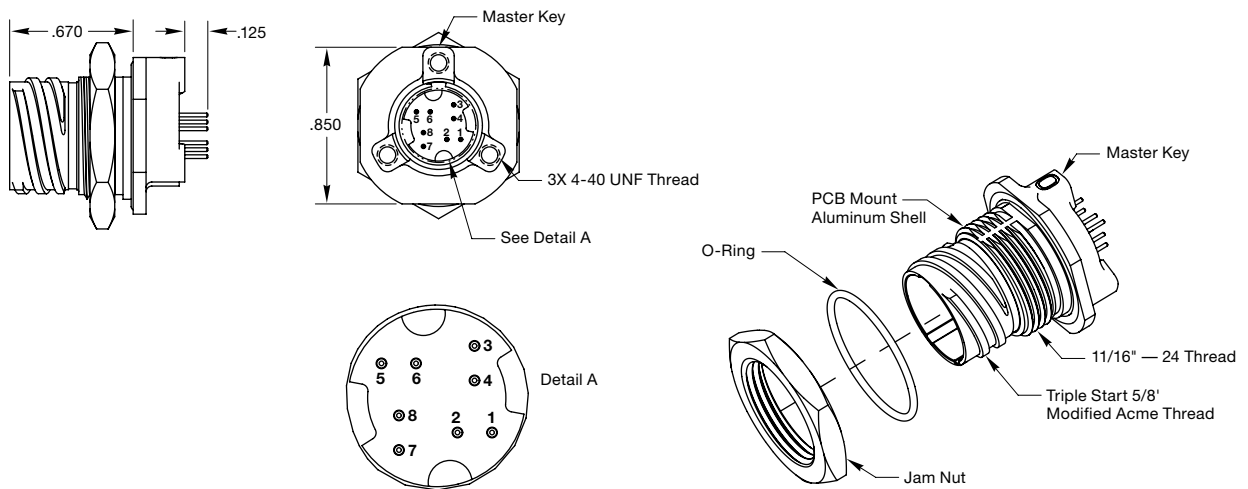
#### Boxmount Receptacle Kit Assembly

Part No. 2102343



#### Jam Nut Receptacle Assembly, PC Tail

Part No. 2102351



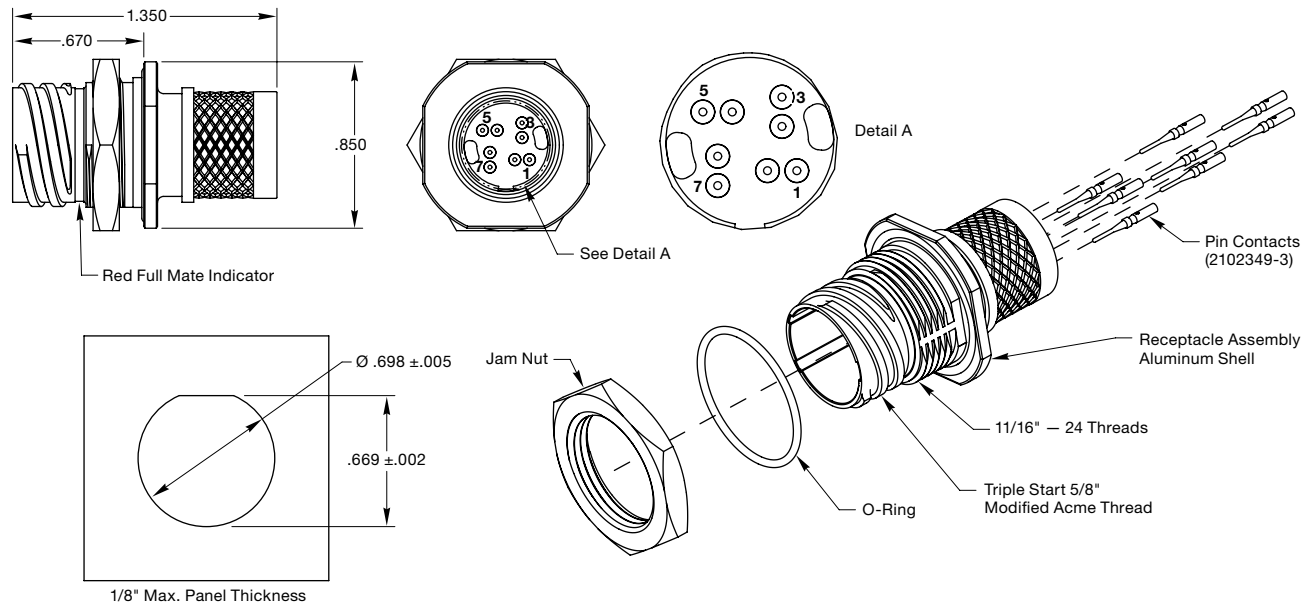
# CeeLok FAS-T Connectors

## CeeLok FAS-T Connectors

### PRODUCT DIMENSIONS

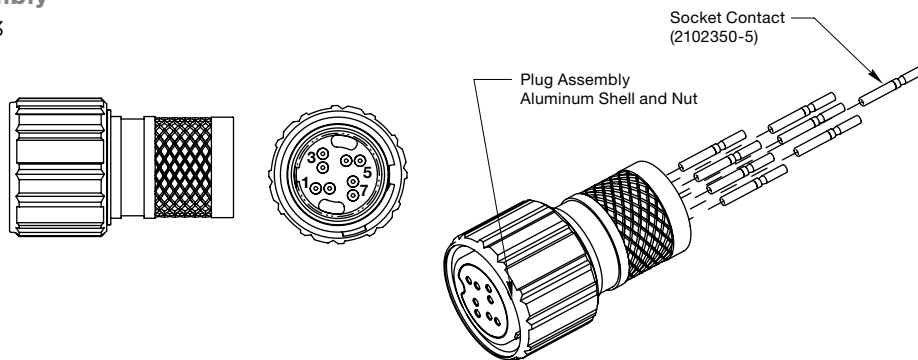
#### Receptacle Kit Assembly

Part No. 2102352



#### Plug Kit Assembly

Part No. 2102353



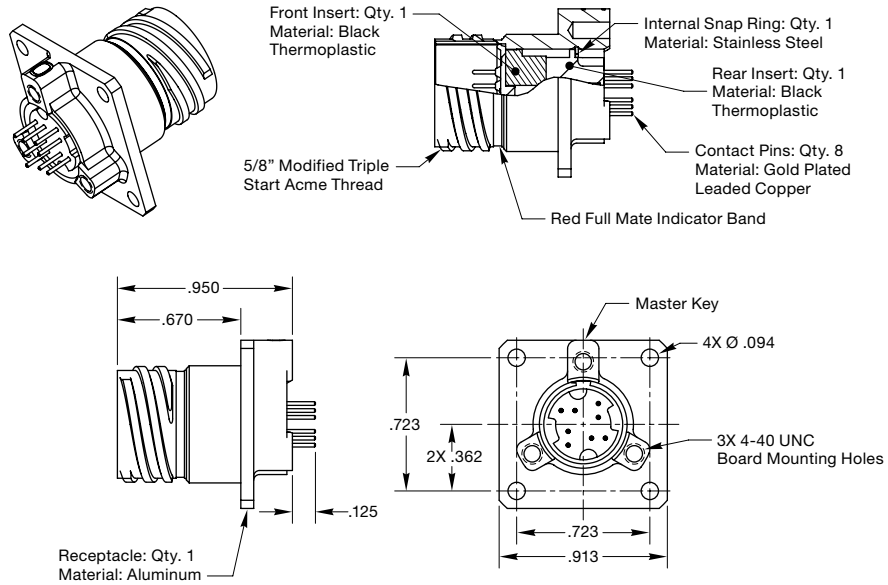
# CeeLok FAS-T Connectors

## CeeLok FAS-T Connectors

### PRODUCT DIMENSIONS

#### Boxmount Receptacle Assembly, PC Tail

Part No. 2102453





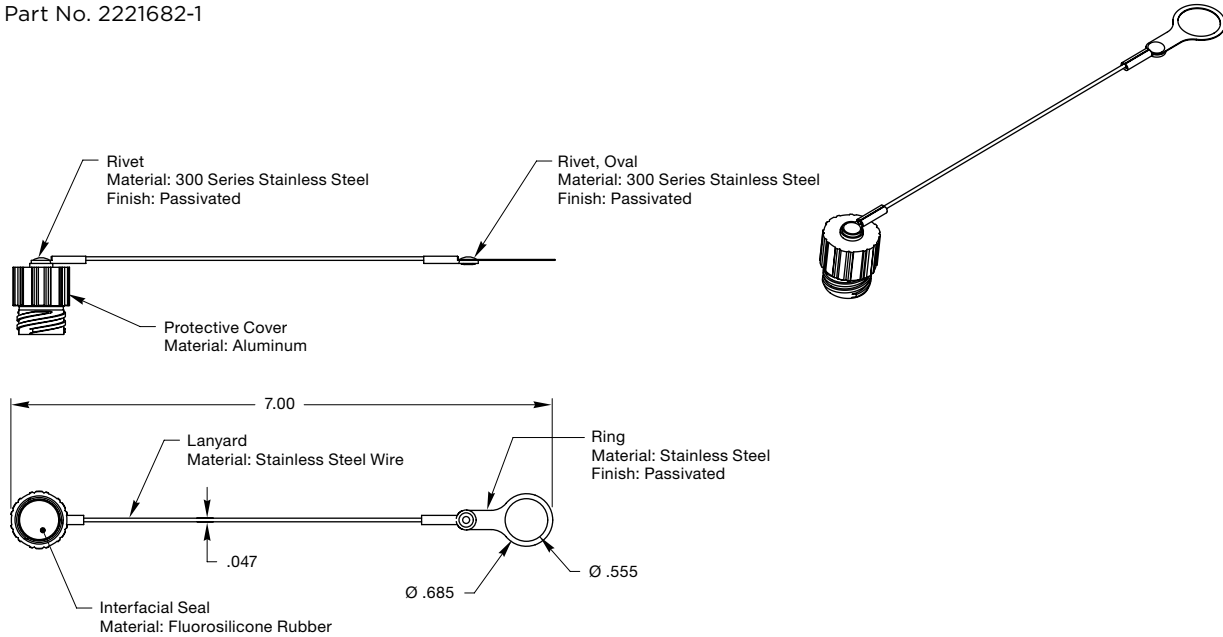
# CeeLok FAS-T Connectors

## CeeLok FAS-T Connectors

### PRODUCT DIMENSIONS

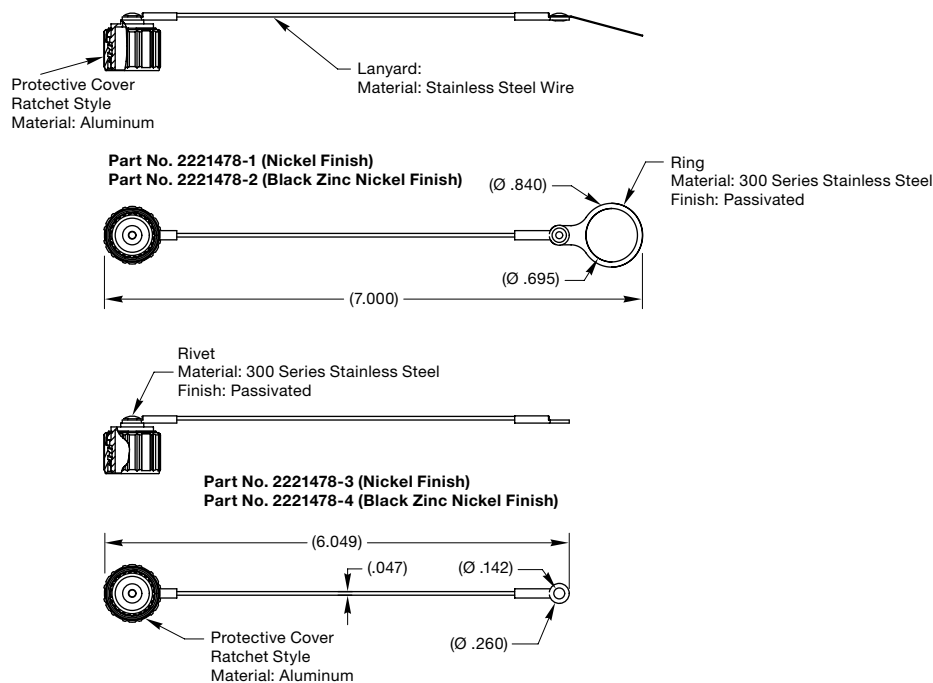
#### Protective Cover Cap, Plug

Part No. 2221682-1



#### Protective Cover Cap, Receptacle

Part No. 2221478-x



# CeeLok FAS-T Connectors

## CeeLok FAS-T Connectors

### ACCESSORIES

#### SolderSleeve Shield Terminators



##### Convenient and Effective

- Terminates a ground lead to cable shield in order to ground the shield
- Simple, quick termination
- Available with and without pigtails

##### Versatile

- Center or end strip for ease of termination
- Handles wide range of high data rate cables and diameters

##### Environmental

- Operating temperature: -55°C to +200°C
- Environmentally sealed
- Mechanically robust

##### Physical or Other Properties

- Terminates tin, silver and nickel flat or round braids
- Provides 360° of shielding

##### Product Offering

- Contact TE for a complete listing of SolderSleeve shield terminators

#### CRES-Lock Bandstraps



##### Easy to Use

- Quick, easy, cost-effective and reliable termination of braided shielding

##### High Performance

- Low profile, one-piece design eliminates EMI leakage paths

##### Rugged

- Shock, vibration and environmental tested to meet aerospace and defense requirements

##### Electrical

- Operating Temperature: -65°C to +200°C
- Electrical Resistance: Meets  $\leq 1.0$  m $\Omega$  requirement of AS85049/128
- Corrosion Resistance: 500 hr. salt spray

##### Mechanical

- Tensile Strength: 200 lb.
- Braid Retention: Meets 100 lb. requirement of AS85049/128

##### Application Tooling

- Micro Tie-Dex II, A30199

| Description | Part No.  |
|-------------|-----------|
| Bandstrap   | BND-0812S |

# CeeLok FAS-T Connectors

## CeeLok FAS-T Connectors

### ACCESSORIES

#### Heat-Shrinkable Molded Boots



#### Hazard Matched

- Different materials to meet different temperature and environmental requirements
- Optional with pre-applied adhesives for quick installation and high-reliability IP67 sealing
- Epoxy sealing kits available

#### Versatile

- Sealing and strain relief to the wires and cables
- Straight or 90 degree cable exit

#### Application Tooling

- HL1910E or the HG-501A ThermoGun heat gun and appropriate hot air reflectors

#### Product Offering

| Temperature Range | Material                  | Adhesive Lined | Size* mm    | Descriptive Part No. |                  |
|-------------------|---------------------------|----------------|-------------|----------------------|------------------|
|                   |                           |                |             | Straight             | 90°              |
| -20°C to 60°C     | Flexible polyolefin       | Yes            | 24/10.4/5.6 | 202K121-4/42-0       | 222K121-4/42-0   |
|                   | Flexible polyolefin       | Yes            | 30/14.2/5.9 | 202K132-4/42-0       | 222K132-4/42-0   |
| -55°C to 120°C    | Fluid-resistant elastomer | Yes            | 30/14.2/5.9 | 202K132-25/86-0      | 222K132-25/86-0  |
| -55°C to 135°C    | Flexible polyolefin       | No             | 30/14.2/5.9 | 202K132-4-0          | 222K132-4-0      |
| -55°C to 200°C    | Modified fluoroelastomer  | No             | 30/14.2/5.9 | 202K132-12-0         | 222K132-12-0     |
| -75°C to 150°C    | Fluid-resistant elastomer | Yes            | 30/14.2/5.9 | 202K132-25/225-0     | 222K132-25/225-0 |
|                   | Fluid-resistant elastomer | No             | 30/14.2/5.9 | 202K132-25-0         | 222K132-25-0     |

\*Size = as-supplied diameter both ends/recovered diameter connector end/recovered diameter cable end.

#### High-Data-Rate Cables



#### Compact and Lightweight

- Thin-wall technology for smaller, lighter cables
- 28 AWG to 22 AWG conductors

#### Versions for Common Protocols

- Fast and Gigabit Ethernet in Cat 5e and Quadrx configurations
- IEEE 1394
- USB

#### Rugged

- Specialized TE developed polymer formulations designed to support better mechanical and thermal performance in harsh environments
- State-of-the-art FAA approved foam dielectrics for better signal transmission
- Ruggedized zero halogen jacket for marine applications that passes the rigorous military standards for flammability while meeting stringent smoke and toxicity requirements

#### Customizable

- Customizable to meet mission-critical needs such as EMI, fluid resistance, and flammability
- Hybrid designs
- Electrical testing capability, including skew and eye patterns

#### Robust

- Operating temperature range from -55°C to +200°C
- Full range of shielding options for signal integrity

Empower Engineers to Solve Problems, Moving the World Forward.

AMP | AGASTAT | CII | DEUTSCH | DRI | HARTMAN | KILOVAC  
MICRODOT | NANONICS | POLAMCO | Raychem | Rochester | SEACON

## CONNECT WITH US

We make it easy to connect with our experts and are ready to provide all the support you need. Visit [te.com/support](https://te.com/support) to chat with a Product Information Specialist.

## QUALITY STARTS WITH THE RIGHT APPLICATION TOOLING

Creating a quality crimp connection is essential to delivering high performance and reliability in extreme environments. From low to high volume wire processing, TE has you covered with a full range of application tooling and a global field service team.

- [View all application tooling](#)
- [Connect with our experts to find the right tool for your application](#)

### te.com/highspeed

AMP, AGASTAT, CeeLok FAS-T, CII, DEUTSCH, DRI, HARTMAN, KILOVAC, MICRODOT, NANONICS, POLAMCO, Raychem, Rochester, SEACON, Solder Sleeve, ThermoGun, TE, TE Connectivity, and TE connectivity (logo) are trademarks owned or licensed by TE Connectivity. All other logos, products and/or company names referred to herein might be trademarks of their respective owners.

The information given herein, including drawings, illustrations and schematics which are intended for illustration purposes only, is believed to be reliable. However, TE Connectivity makes no warranties as to its accuracy or completeness and disclaims any liability in connection with its use. TE Connectivity's obligations shall only be as set forth in TE Connectivity's Standard Terms and Conditions of Sale for this product and in no case will TE Connectivity be liable for any incidental, indirect or consequential damages arising out of the sale, resale, use or misuse of the product. Users of TE Connectivity products should make their own evaluation to determine the suitability of each such product for the specific application.

© 2021 TE Connectivity All Rights Reserved.

1-1773464-2 05/21

### CeeLok FAS-T CONNECTORS

TE Connectivity  
Aerospace, Defense & Marine  
2900 Fulling Mill Road  
Middletown, PA 17057