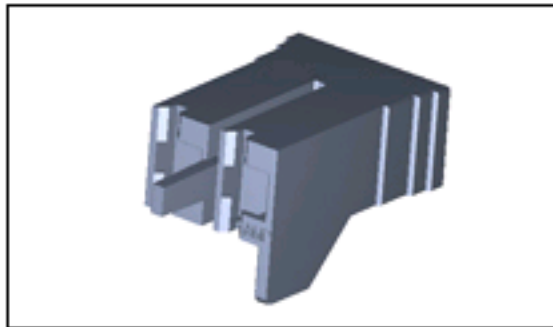


## 1969232-2 Product Details

[Share](#) | [Print](#) | [Email](#)


1969232-2

TE Internal Number: 1969232-2

Active

[View 3D PDF](#)

### FASTON Uninsulated Receptacles & Housings

[Always EU RoHS/ELV Compliant \(Statement of Compliance\)](#)

#### Product Highlights:

- Housing
- Number of Circuits = 2
- Mating Area Interface Dimensions = 6.35 mm
- Normal Insertion Force
- Nylon 6/6 Material

[View all Features](#)

#### Quick Links

- ▶ [Check Pricing & Availability](#)
- ▶ [Search for Tooling](#)
- ▶ [Product Feature Selector](#)
- ▶ [Contact Us About This Product](#)

[Add to My Part List](#) | [Request Sample](#) | [Find Similar Products](#) | [Buy Product](#)

### Documentation & Additional Information

#### Product Drawings:

- [HOUSING, RECEPTACLE, FASTON, .250 SERIES, 2 CIRCUIT](#) (PDF, English)

#### Catalog Pages/Data Sheets:

- None Available

#### Product Specifications:

- None Available

#### Application Specifications:

- None Available

#### Instruction Sheets:

- None Available

#### CAD Files: ([CAD Format & Compression Information](#))

- [2D Drawing](#) (DXF, Version A)
- [3D Model](#) (IGES, Version A)
- [3D Model](#) (STEP, Version A)

#### Related Products:

- [Tooling](#)

[List all Documents](#)

### Product Features (Please use the Product Drawing for all design activity)

#### Product Type Features:

- [Product Type](#) = Housing
- [Number of Circuits](#) = 2
- [Mating Area Interface Dimensions \(mm \[in\]\)](#) = 6.35 [.250]
- [Insertion Force](#) = Normal
- [Material](#) = Nylon 6/6

#### Housing Features:

- [Housing Color](#) = Black
- UL Flammability Rating = UL 94V-2

#### Industry Standards:

- [RoHS/ELV Compliance](#) = RoHS compliant, ELV compliant
- [Lead Free Solder Processes](#) = Not relevant for lead free process
- RoHS/ELV Compliance History = Always was RoHS compliant

#### Other:

- [Line](#) = FASTON .250
- Brand = Tyco Electronics

### Corporate Information

- [Who We Are](#)
- [Investors](#)
- [News Room](#)
- [Supplier Portal](#)
- [Careers](#)

### Quick Links

- [Check Distributor Inventory](#)
- [Cross Reference](#)
- [Find Documents & Drawings](#)
- [Product Compliance Support Center](#)
- [Site Map](#)

### Customer Support

- [Email or Chat With Us](#)
- [Find a Phone Number](#)
- [Search Knowledge Base](#)
- [Manage your Account](#)

### Keep Me Informed

Receive TE News, Events & Technology Updates

