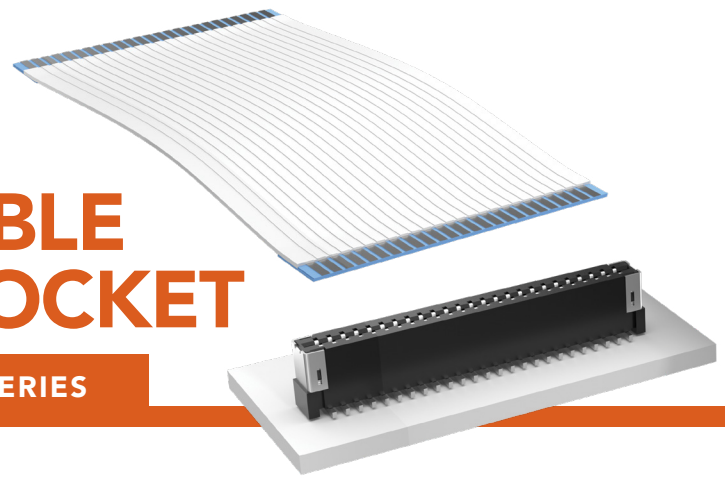


# FLAT FLEXIBLE CABLE (FCC) JUMPER & SOCKET

(1.00 mm) .0394" PITCH • FJ/ZF1/FC1 SERIES



## FJ

**Mates:**  
FC1, ZF1

## ZF1/FC1

**Mates:**  
FJ

### SPECIFICATIONS

#### FJ

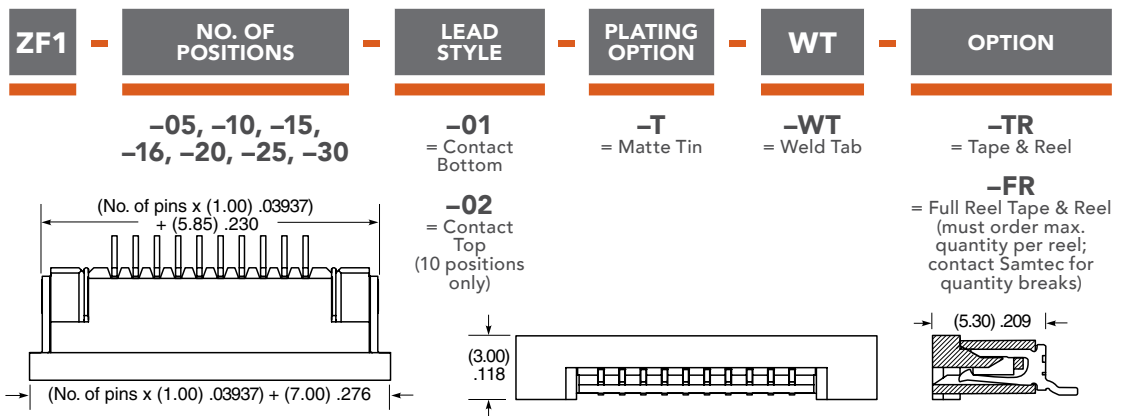
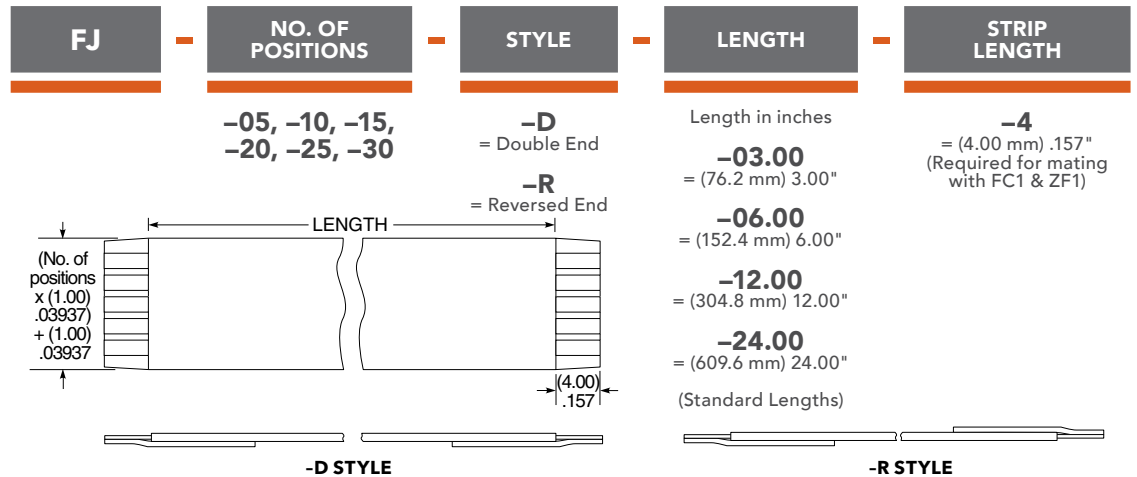
**Conductor:**  
Tin Plated Copper  
**Conductor Resistance:**  
300 Ω/km max  
**Operating Temp Range:**  
-30 °C to +80 °C  
**Voltage Rating:**  
300 VAC/424 VDC

#### ZF1

**Insulator Material:**  
Liquid Crystal Polymer  
**Contact Material:**  
Phosphor Bronze  
**Plating:**  
Sn over 40 μ" (1.02 μm) Ni  
**Weld Tab:** Phosphor Bronze  
**Operating Temp Range:**  
-55 °C to +105 °C

#### FC1

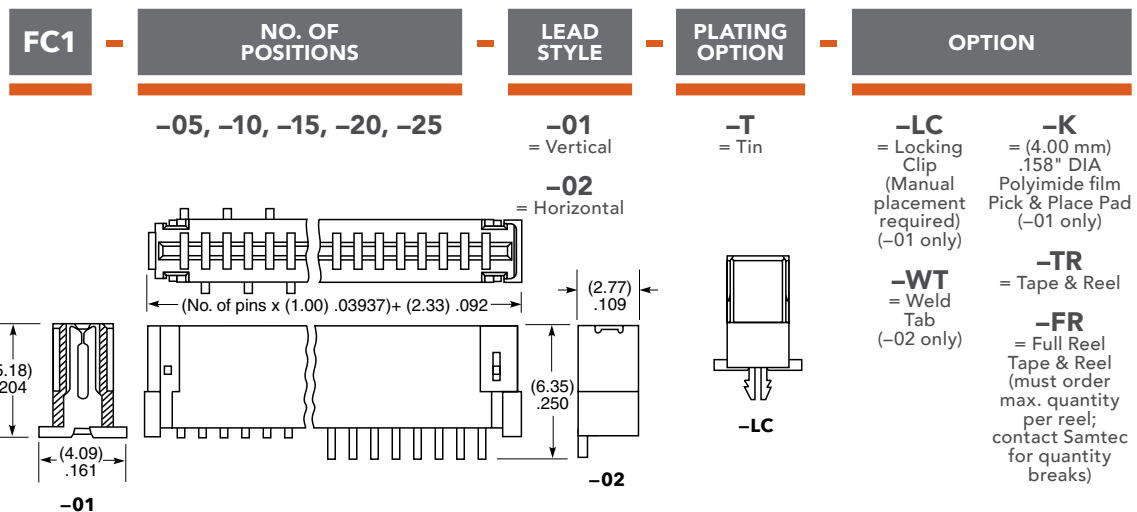
**Insulator Material:**  
Liquid Crystal Polymer  
**Contact Material:**  
Phosphor Bronze  
**Plating:**  
Sn over 50 μ" (1.27 μm) Ni  
**Operating Temp Range:**  
-55 °C to +105 °C  
**Max Cycles:**  
25 with FJ



### PROCESSING

## ZF1/FC1

**Lead-Free Solderable:**  
Yes  
**SMT Lead Coplanarity:**  
(0.10 mm) .004" max



#### Notes:

FJ Stiffener color will be blue or black at Samtec's discretion.

Some sizes, styles and options are non-standard, non-returnable.

[samtec.com?FJ](http://samtec.com?FJ), [samtec.com?ZF1](http://samtec.com?ZF1) or [samtec.com?FC1](http://samtec.com?FC1)

F-226 WEB

Unless otherwise approved in writing by Samtec, all parts and components are designed and built according to Samtec's specifications which are subject to change without notice.