

TECHNICAL CHARACTERISTICS

MATERIAL  
 INSULATOR: PBT  
 FLAMMABILITY RATING: UL94-V0  
 COLOR: WHITE  
 CONTACT MATERIAL: BRASS  
 CONTACT PLATING: GOLD OVER Ni  
 COVER MATERIAL: BRASS  
 COVER PLATING: Ni  
 QUALITY CLASS: 1 500 MATING CYCLES

ENVIRONMENTAL  
 OPERATING TEMPERATURE: -40°C UP TO +85°C  
 COMPLIANCE: LEAD FREE & ROHS

ELECTRICAL  
 CURRENT RATING:  
 - PIN 1 & PIN 4: 3 A  
 - OTHER PINS: 1 A  
 WORKING VOLTAGE: 30 VAC MAX  
 WITHSTANDING VOLTAGE: 500 VAC/MIN  
 INSULATION RESISTANCE: > 1000 MΩ  
 CONTACT RESISTANCE: 30 mΩ MAX

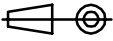
MECHANICAL  
 INSERTION FORCE: 35.0N MAX  
 EXTRACTION FORCE: 10.0N MIN

STANDARD  
 CERTIFIED: E323964

SOLDERING  
 JEDEC LEAD FREE WAVE SOLDERING PROCESS


PACKAGING  
 TRAY

RoHS Compliant			
G			
F			
E			
D			
C	20-JUN-17	OTHER PINS	AK
B	23-JAN-17	CERTIFIED	AK
A	19-JUN-15	PDF	AK
REV	DATE	FILE	BY

PROJECTION:			
			
APPROVAL: NPr			

GENERAL TOLERANCE	
.X = +/- 0.2	
.XX = +/- 0.15	

UNIT: MM
SCALE:
SHEET: 1/3
DRAW: AK

	
DESCRIPTION: USB 2.0 TYPE A HORIZONTAL THT	
WERI PART NO: 614 004 190 021	

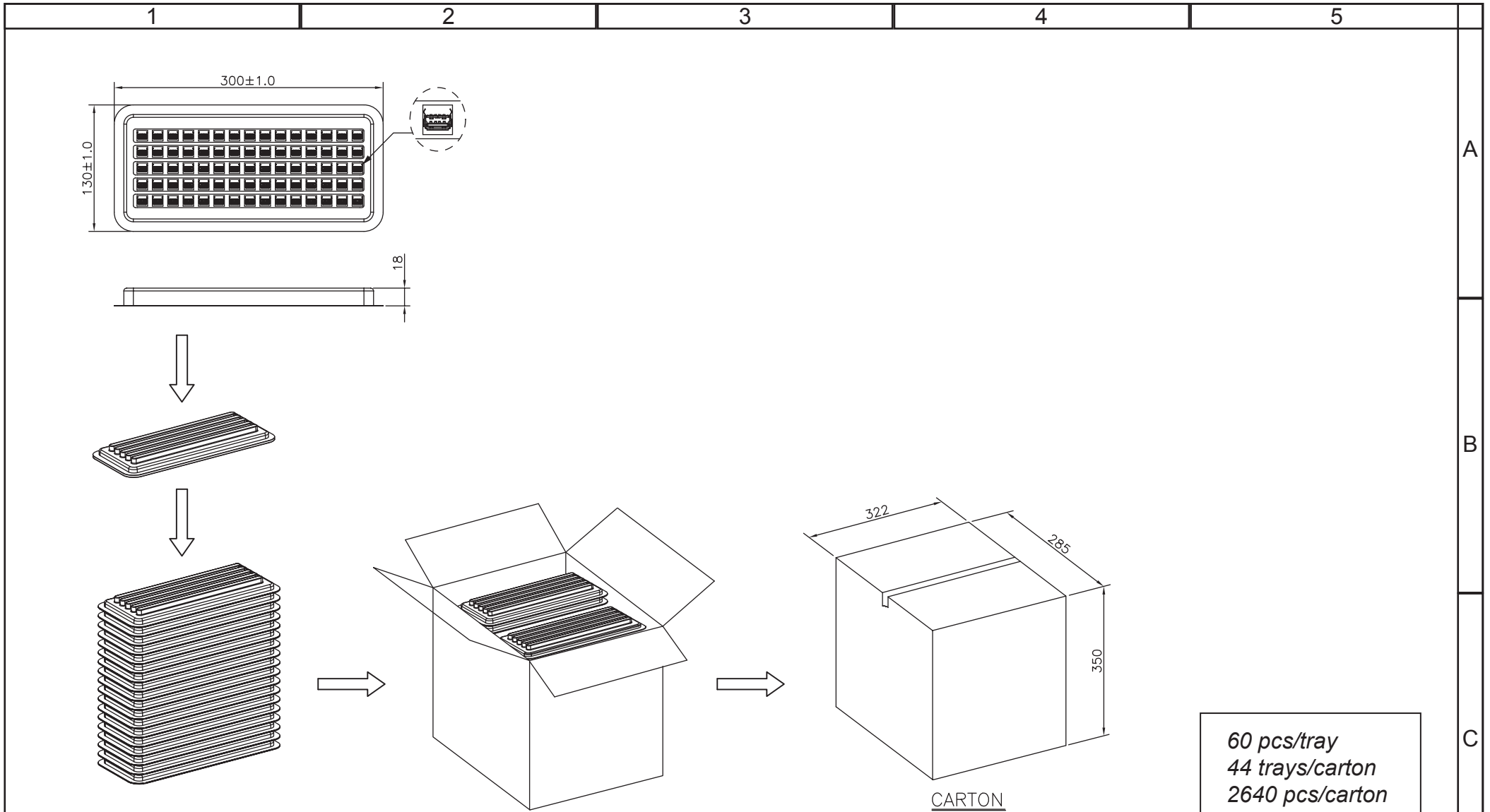
SIZE
<b>A4</b>

A

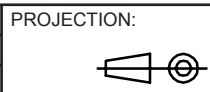
B

C

D



RoHS Compliant			
G			
F			
E			
D			
C			
B			
A			
REV	DATE	FILE	BY



GENERAL TOLERANCE  
.X = +/- 0.2  
.XX = +/- 0.15



APPROVAL: NPr

UNIT: MM  
SCALE:  
SHEET: 2/3  
DRAW: AK

DESCRIPTION: USB 2.0 TYPE A HORIZONTAL THT  
WERI PART NO: 614 004 190 021

SIZE  
**A4**

60 pcs/tray  
44 trays/carton  
2640 pcs/carton

1

2

3

4

5

## Cautions and Warnings:

This electronic component is designed and developed with the intention for use in general electronics equipments.

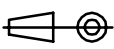

Before incorporating the components into any equipments in the field such as aerospace, aviation, nuclear control, submarine, transportation, (automotive control, train control, ship control), transportation signal, disaster prevention, medical, public information network etc. where higher safety and reliability are especially required or if there is possibility of direct damage or injury to human body, Würth Elektronik must be asked for a written approval.

In addition, even electronic component in general electronic equipments, when used in electrical circuits that require high safety, reliability functions or performance, the sufficient reliability evaluation-check for the safety must be performed before by the user before usage.

A

B

C

RoHS Compliant				PROJECTION: 	GENERAL TOLERANCE .X = +/- 0.2 .XX = +/- 0.15		DESCRIPTION: DISCLAIMER	SIZE <b>A4</b>
G								
F								
E								
D				APPROVAL: JC	UNIT: MM	WERI PART NO: DISCLAIMER	SIZE <b>A4</b>	
C					SCALE:			
B					SHEET: 3/3			
A	10-SEP-14	PDF	QL		DRAW: QL			
REV	DATE	FILE	BY					

D