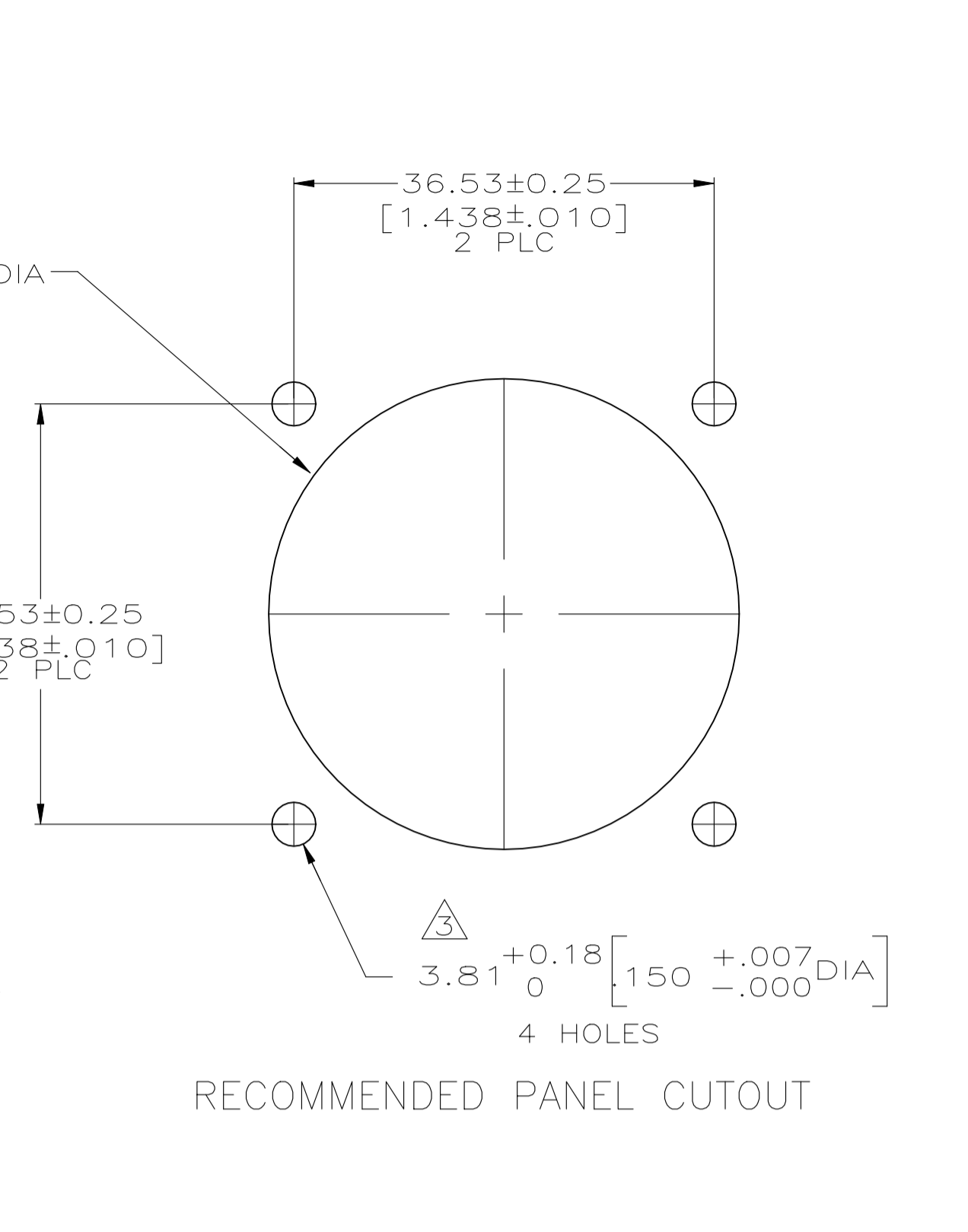
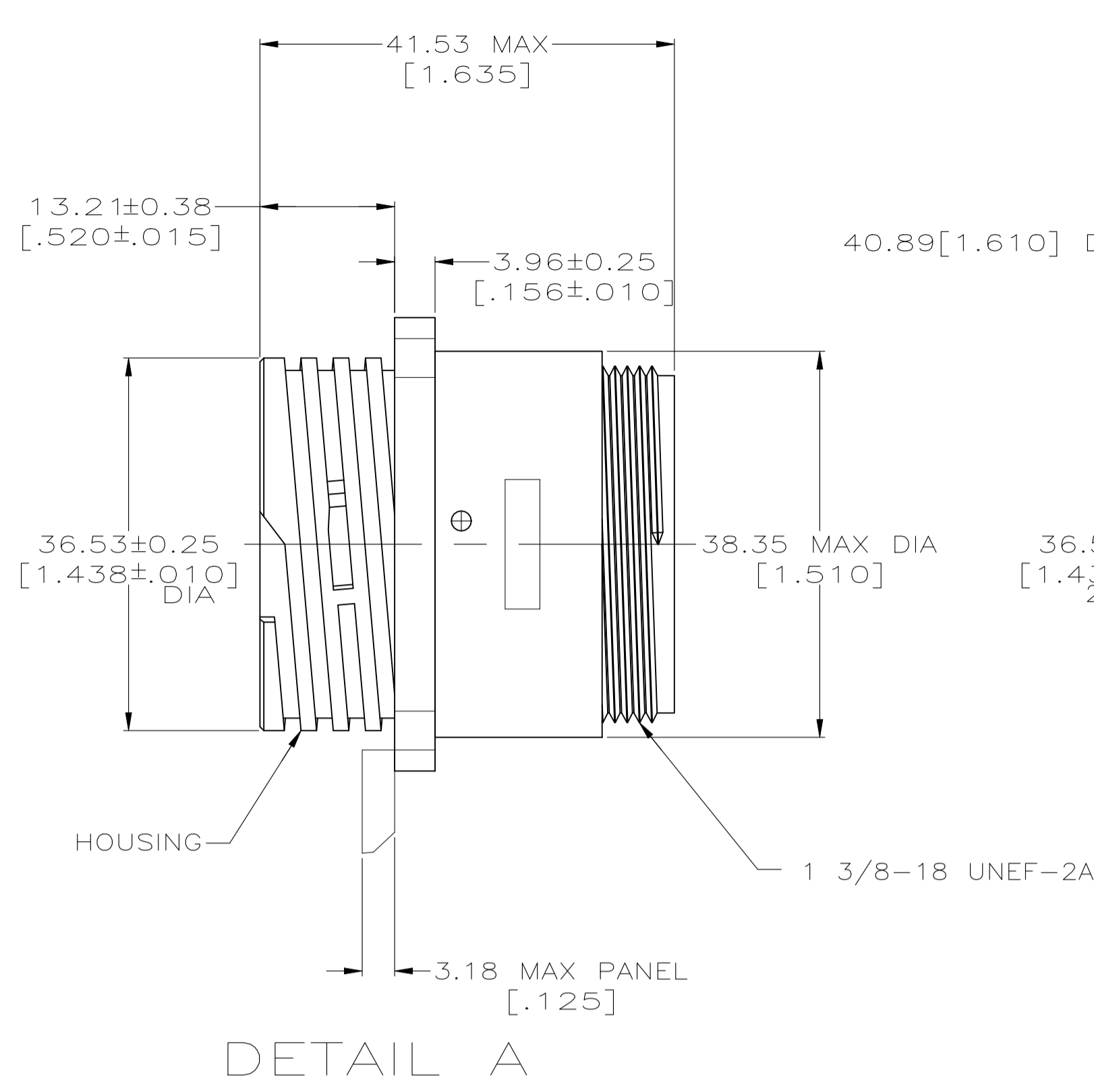
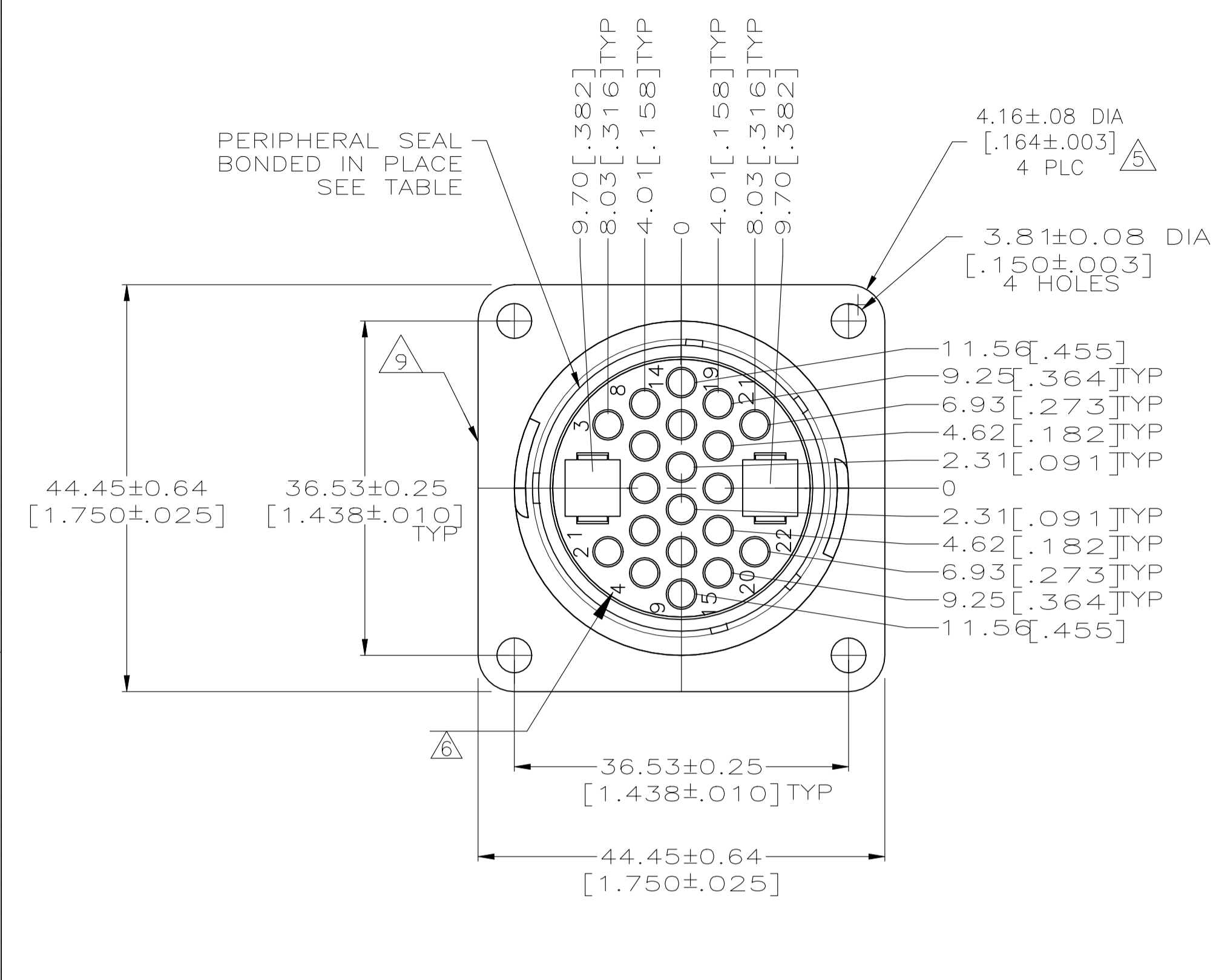
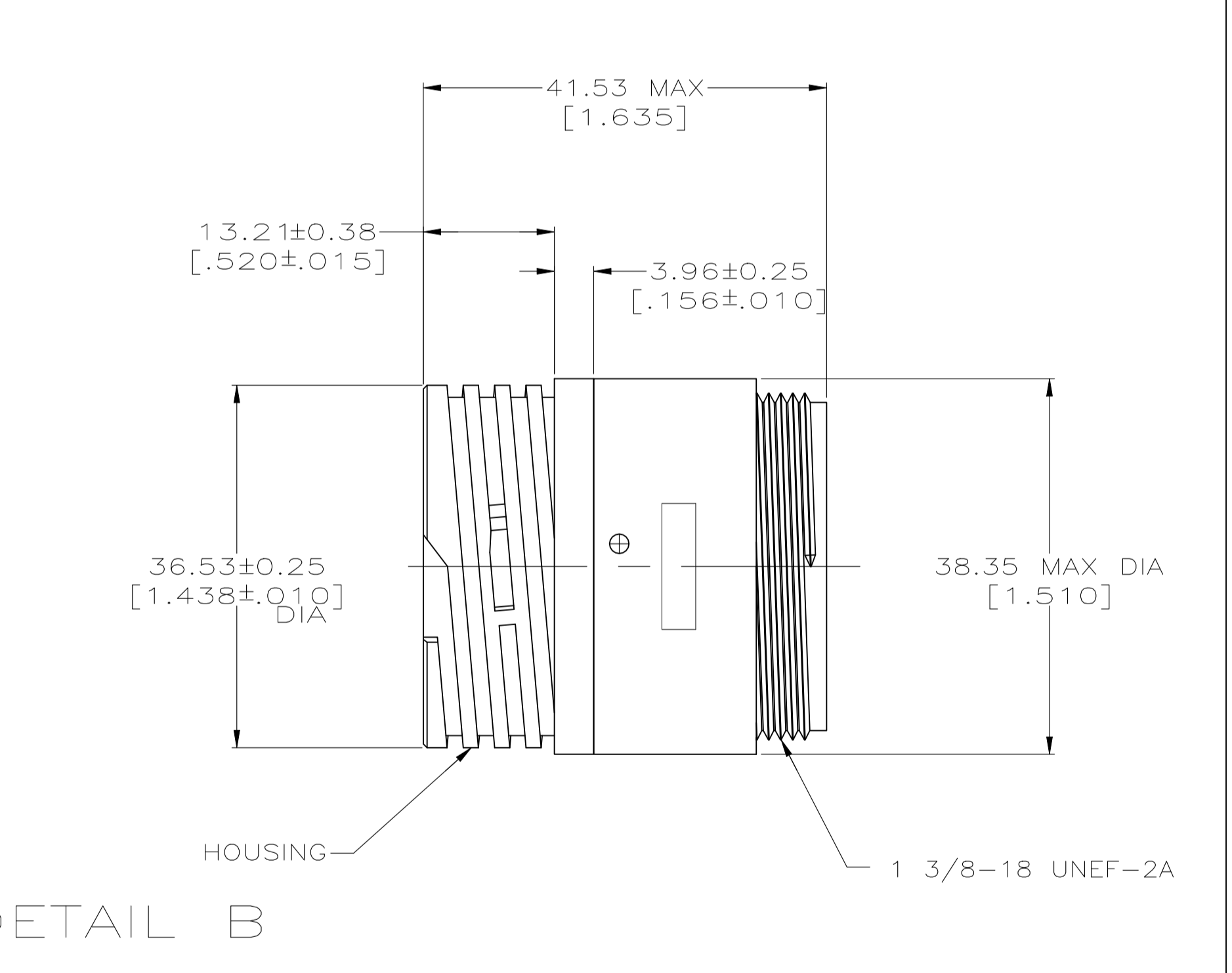
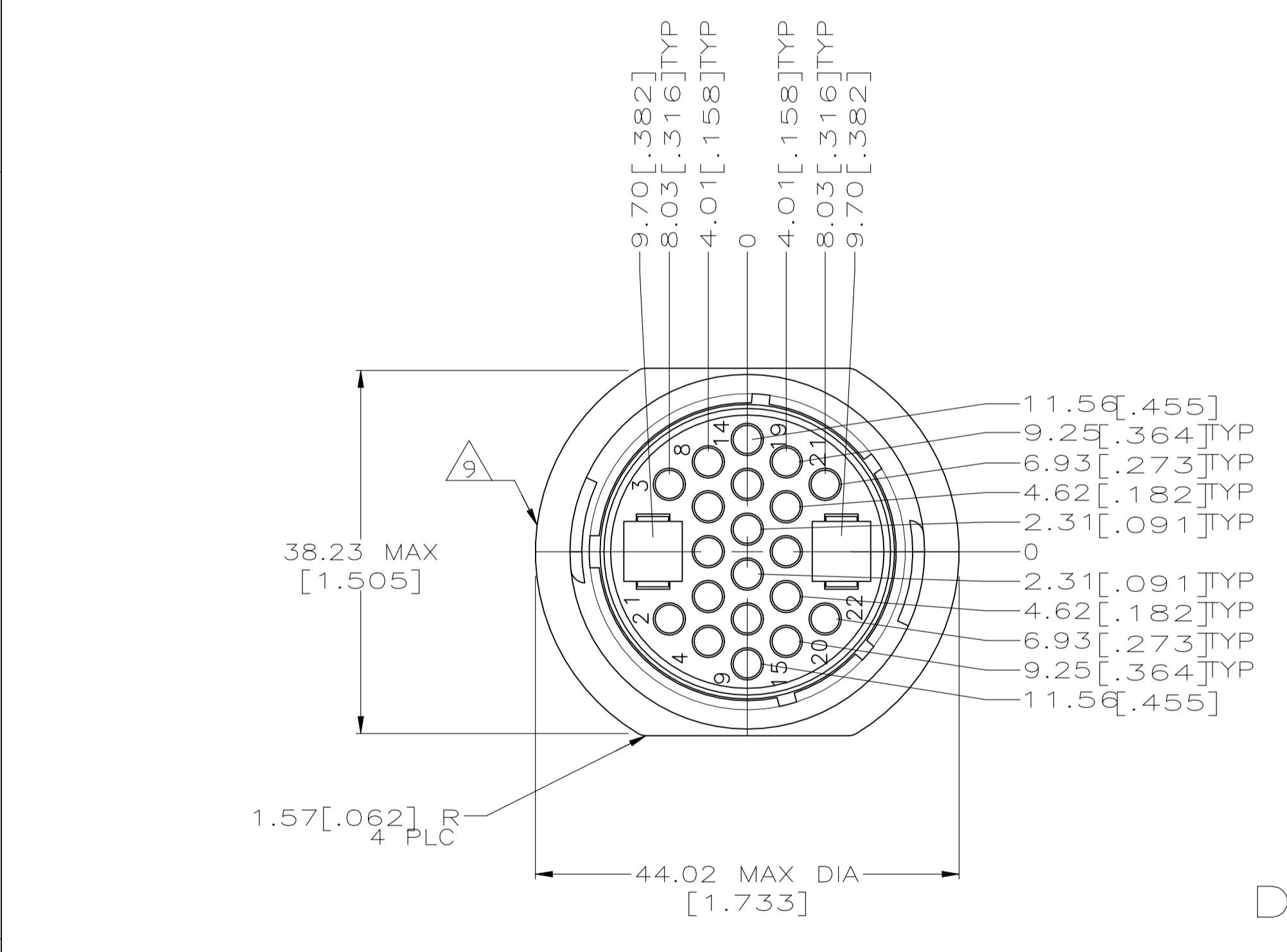


REVISIONS				
REV	DESCRIPTION	DATE	BY	APPV
U	REVISED PER ECO-21-006945	28OCT2021	RK	MZ



DETAIL A



DETAIL B

- WILL ACCEPT (20) MULTIMATE AND 2 TYPE XII PIN CONTACTS.
- CAVITY IDENTIFICATION ON FRONT AND REAR FACE.
- NUMBER 4 FASTENERS RECOMMENDED FOR MOUNTING.
- HOUSING: NYLON, BLACK. PERIPHERAL SEAL: ELASTOMER, BLACK.
- APPLIES TO 206613-6 ONLY.
- PERMANENT WHITE MARKED OR WHITE INK STAMPED CAVITY IDENTIFICATION.
- HOUSING: NYLON, RED. PERIPHERAL SEAL: ELASTOMER, BLACK.
- WHITE DOT NEAR POSITION 1 ON WIRE ENTRY FACE.

TE LOGO AND PART NUMBER LOCATED ON ANY FLANGE EDGE

OBsolete	8/4	Ø3.81±0.08(.125±.003) HOLES	YES	A	1-206613-2
	4	#4-40 THREADED INSERTS	NO	A	1-206613-0
OBsolete	7	Ø3.81±0.08(.125±.003) HOLES	YES	A	206613-9
PRELIMINARY	6/4	Ø3.81±0.08(.125±.003) HOLES	YES	A	206613-7
OBsolete	4	#4-40 THREADED INSERTS	NO	A	206613-6
	4	Ø3.81±0.08(.125±.003) HOLES	YES	A	206613-5
	4	Ø3.81±0.08(.125±.003) HOLES	NO	B	206613-3
	4	Ø3.81±0.08(.125±.003) HOLES	NO	A	206613-1
NOTES		MOUNTING FEATURE	PERIPHERAL SEAL	SEE DETAIL	PART NUMBER

THIS DRAWING IS A CONTROLLED DOCUMENT.

DIMENSIONS: mm [INCHES]	TOLERANCES UNLESS OTHERWISE SPECIFIED:	DIN M. BINNER 05/26/94	TE Connectivity
0 PLC ± -	1 PLC ± -	6-23-94	
2 PLC ± ± 0.13 [.005]	3 PLC ± -		
4 PLC ± -	ANGLES ± -		
MATERIAL	FINISH	APVD	NAME
		R. STONE	RECEPTACLE HOUSING, STANDARD SEX, SHELL SIZE 23, CPC
		PRODUCT SPEC	108-10024
		APPLICATION SPEC	
		SIZE	A1
		WEIGHT	00779
		CUSTOMER DRAWING	SCALE 2:1 SHEET 1 OF 1 REV U