

HC-M-BS-M20 - Screw plug



1645846

<https://www.phoenixcontact.com/ae/products/1645846>

Please be informed that the data shown in this PDF document is generated from our online catalog. Please find the complete data in the user documentation. Our general terms of use for downloads are valid.

Screw plug, material for screw connection: Brass, nickel-plated, connecting thread: M20 x 1.5, color: silver-colored



Commercial data

Item number	1645846
Packing unit	10 pc
Minimum order quantity	10 pc
Sales key	AF7
Product key	AF7DZX
GTIN	4017918951092
Weight per piece (including packing)	11.3 g
Weight per piece (excluding packing)	10.708 g
Customs tariff number	74198090
Country of origin	DE

HC-M-BS-M20 - Screw plug

1645846

<https://www.phoenixcontact.com/ae/products/1645846>

Technical data

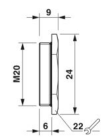
Product properties

Product type	Plug for cable screw gland
--------------	----------------------------

Connection data

Tightening torque	5 Nm
-------------------	------

Dimensions

Dimensional drawing	
Length	9 mm
Length of the connecting thread	6 mm
Length without connecting thread	3 mm
Diameter	20 mm
Connecting thread diameter	20 mm
Wrench size, union nut	22 mm
Hexagon angular dimension	24 mm
Thread type connection side	M20 x 1.5
Thread pitch	1.5 mm

Material specifications

Seal material O-ring	NBR
Housing surface material	Ni
Material for screw connection	Brass, nickel-plated

Cable/line

Halogen-free	no
--------------	----

Environmental and real-life conditions

Ambient conditions

Degree of protection	IP68
Ambient temperature (operation)	-20 °C ... 80 °C

HC-M-BS-M20 - Screw plug

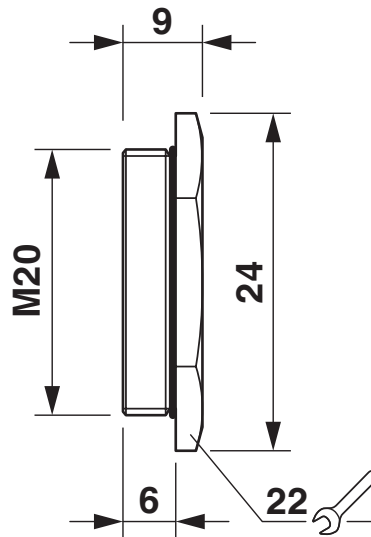
1645846

<https://www.phoenixcontact.com/ae/products/1645846>



Drawings

Dimensional drawing



Dimensional drawing

HC-M-BS-M20 - Screw plug



1645846

<https://www.phoenixcontact.com/ae/products/1645846>

Classifications

ECLASS

ECLASS-13.0	23111190
ECLASS-15.0	23111190

ETIM

ETIM 9.0	EC000032
----------	----------

UNSPSC

UNSPSC 21.0	31261500
-------------	----------

HC-M-BS-M20 - Screw plug



1645846

<https://www.phoenixcontact.com/ae/products/1645846>

Environmental product compliance

EU RoHS

Fulfills EU RoHS substance requirements	Yes
Exemption	6(c)

China RoHS

Environment friendly use period (EFUP)	EFUP-50
	An article-related China RoHS declaration table can be found in the download area for the respective article under "Manufacturer declaration". For all articles with EFUP-E, no China RoHS declaration table issued and required.

EU REACH SVHC

REACH candidate substance (CAS No.)	Lead(CAS: 7439-92-1)
SCIP	3e3a4946-cc6a-49b3-ba17-ed88029a89a7

Phoenix Contact 2025 © - all rights reserved

<https://www.phoenixcontact.com>

PHOENIX CONTACT Middle East FZ LLC
1201N-1206N, Dubai Science Park Towers – North
P.O. Box 345002, Dubai, United Arab Emirates
(+971) 4 437-0324
info-me@phoenixcontact.com