

THIS DRAWING IS UNPUBLISHED.

RELEASED FOR PUBLICATION

ALL RIGHTS RESERVED.

© COPYRIGHT - By -

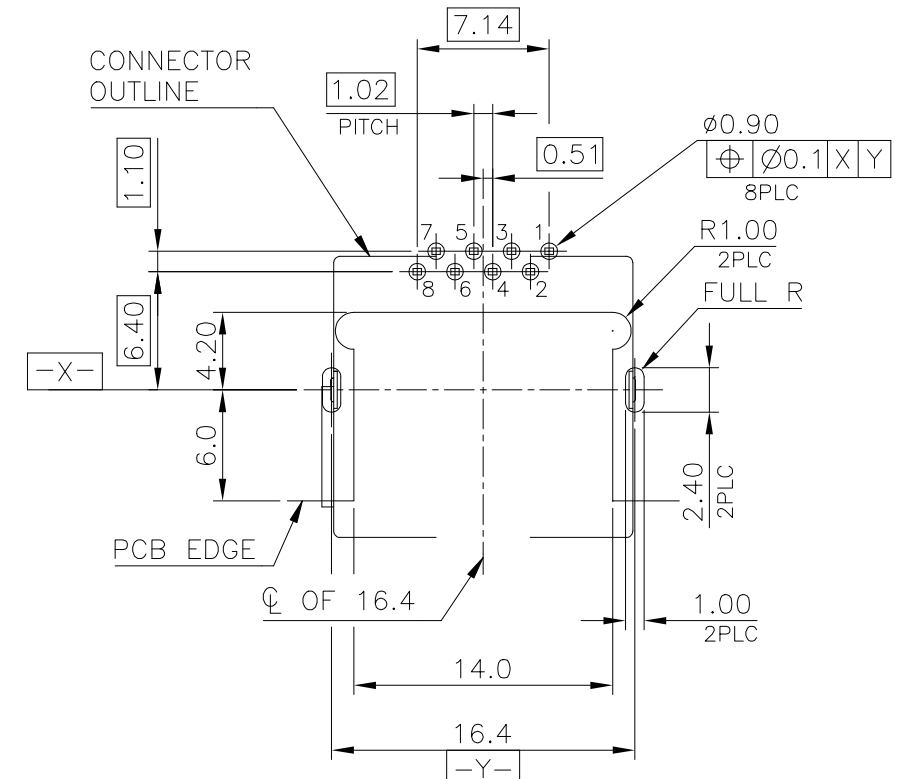
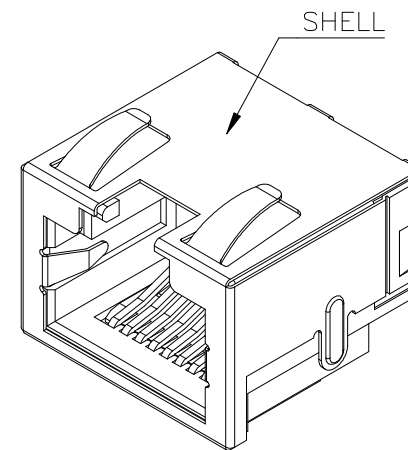
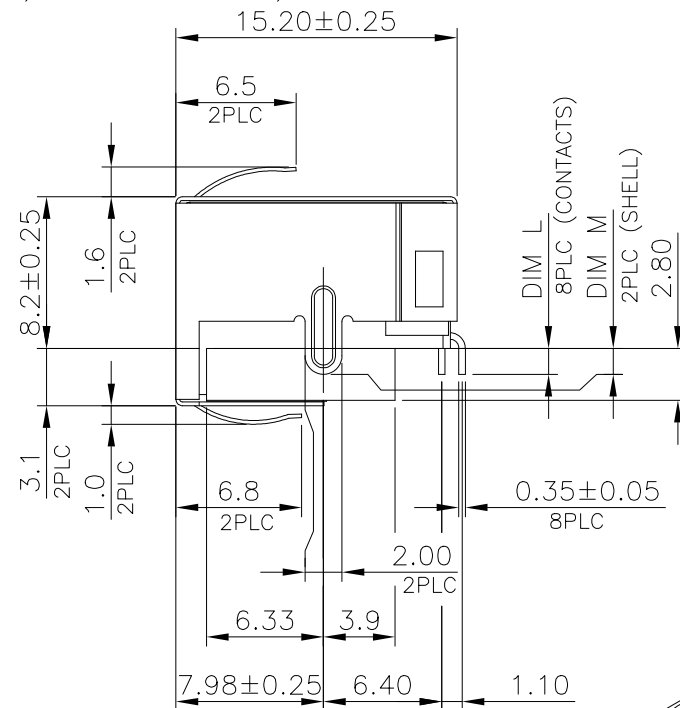
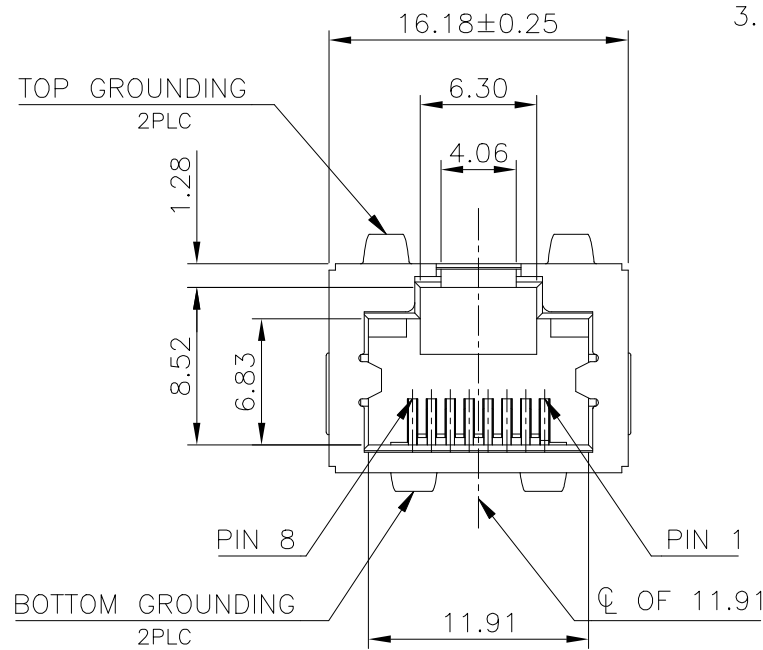
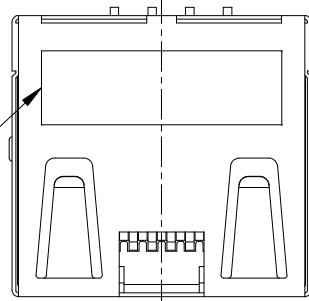
REVISIONS

P	LTR	DESCRIPTION	DATE	DWN	APVD
D		ECO-18-018694	22NOV2018	LL	SH

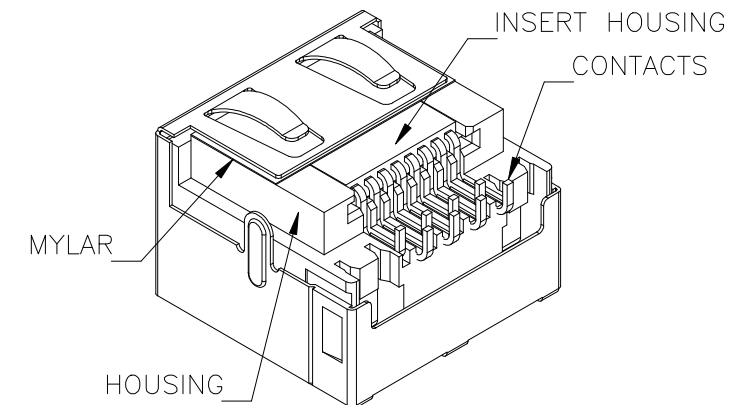
NOTE:

- MATERIAL:
 - HOUSING: PA9T WITH 30% GF, UL94 V-0, COLOR: BLACK.
 - INSERT HOUSING: PA9T WITH 30% GF, UL94 V-0, COLOR: BLACK.
 - CONTACTS: PHOSPHOR BRONZE.
 - SHELL: BRASS.
 - MYLAR: PI, THICKNESS=0.07mm, COLOR: YELLOW
- FINISH:
 - CONTACTS: (SEE TABLE) GOLD PLATED ON CONTACT AREA. GOLD FLASH ON SOLDER TAIL. 1.27um [50u"] MIN. NICKEL UNDERPLATED OVERALL.
 - SHELL: 0.508um [20u"] MIN. NICKEL PLATED OVERALL.
- REFLOW SOLDER COPABLE TO 260+/-5°C PEAK TEMPERATURE PER TE SPEC TEC-109-201, TEST METHOD A, CONDITION B.

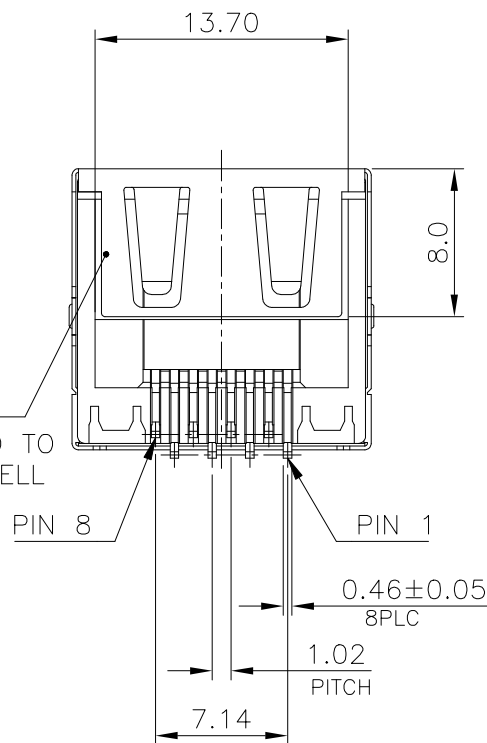
TE LOGO & DATE CODE



RECOMMENDED PCB LAYOUT (COMPONENT SIDE)
TOLERANCE: ±0.05
PCB THICKNESS: 1.2mm



MYLAR ATTACHED (UNDER SHELL)
MYLAR NOT ALLOWED TO PROTRUDE FROM SHELL



THIS DRAWING IS A CONTROLLED DOCUMENT.

DIMENSIONS:	TOLERANCES UNLESS OTHERWISE SPECIFIED:
mm	
0 PLC	± -
1 PLC	± 0.3
2 PLC	± 0.2
3 PLC	± 0.15
4 PLC	± -
ANGLES	± -
MATERIAL	FINISH
SEE NOTE	SEE NOTE

DWN	E. LIU	10JAN2011
CHK	S. CHIEN	10JAN2011
APVD	W. KODAMA	10JAN2011
PRODUCT SPEC	108-57847	
APPLICATION SPEC	-	
WEIGHT	2.91 GRAMS	
CUSTOMER DRAWING		



NAME			
MODULAR JACK CONN RJ45 W/O LED, TAB UP, SIDE ENTRY OFFSET, DIP TYPE, H=8.2MM			
SIZE	CAGE CODE	DRAWING NO	RESTRICTED TO
A3	00779	C=2041307	-
SCALE		SHEET	REV
1:1		1 OF 3	D

THIS DRAWING IS UNPUBLISHED.

RELEASED FOR PUBLICATION

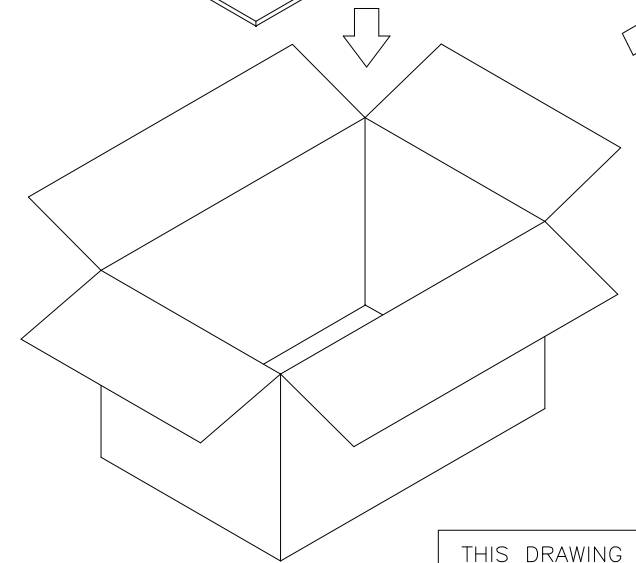
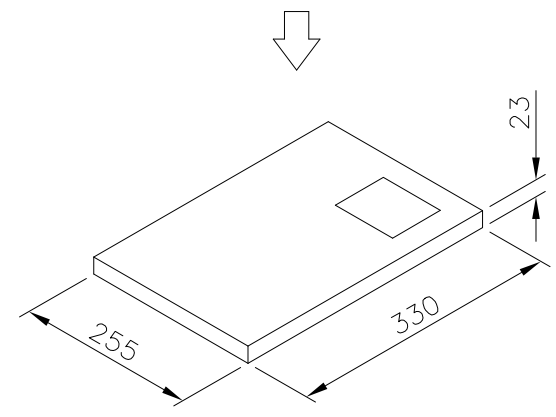
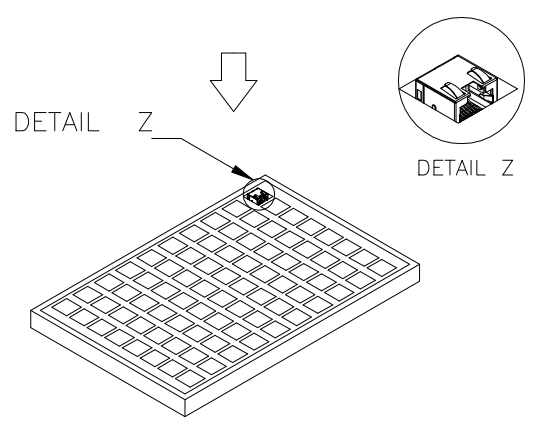
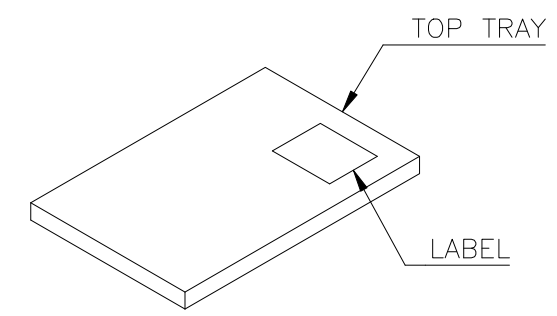
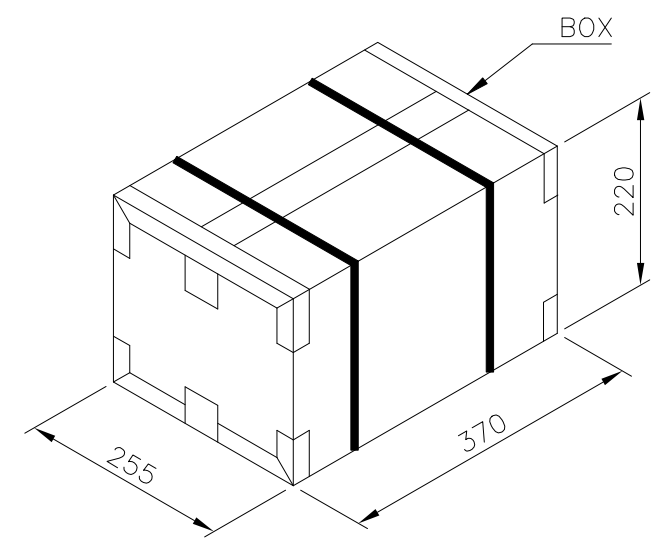
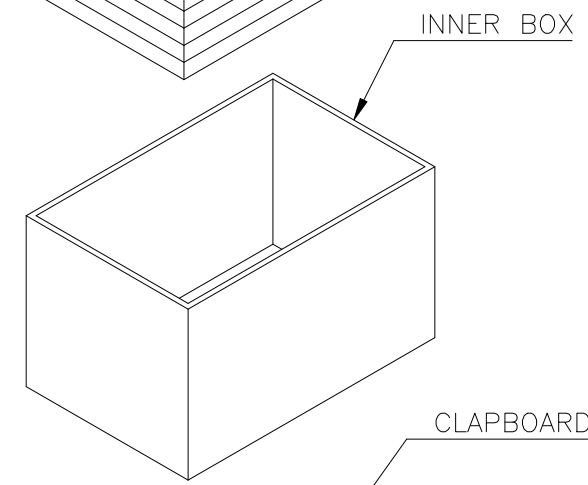
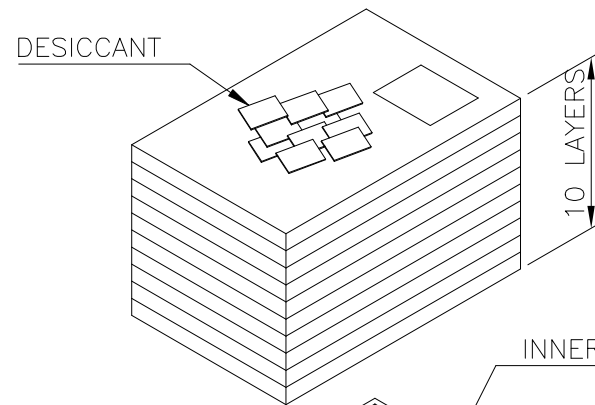
ALL RIGHTS RESERVED.

© COPYRIGHT - By -

REVISIONS

P	LTR	DESCRIPTION	DATE	DWN	APVD
-	-	SEE SHEET 1	-	-	-

- NOTES:
- MATERIAL:
TRAY: PET
TOP TRAY: PET
BOX: CORRUGATED FIBER.
 - EACH BAG SHALL BE INCLUDED:
*DESICCANT
 - DIMENSION: SEE DRAWING
 - QUANTITY: SEE TABLE
 - WEIGHT: SEE TABLE



4.97 Kg	2.33 Kg	80	10	800	2041307-1
GROSS WEIGHT	NET WEIGHT	PCS/TRAY	TRAY/BOX	PCS/BOX	PART NUMBER

THIS DRAWING IS A CONTROLLED DOCUMENT.		DWN	E. LIU	10JAN2011	 TE Connectivity
		CHK	S. CHIEN	10JAN2011	
		APVD	W. KODAMA	10JAN2011	
		PRODUCT SPEC	108-57847		
		APPLICATION SPEC	-		
MATERIAL		SEE NOTE		WEIGHT	-
DIMENSIONS:		TOLERANCES UNLESS OTHERWISE SPECIFIED:		NAME	
mm		0 PLC ± -		MODULAR JACK CONN	
		1 PLC ± 0.3		RJ45 W/O LED, TAB UP, SIDE ENTRY	
		2 PLC ± 0.2		OFFSET, DIP TYPE, H=8.2MM	
		3 PLC ± 0.15		SIZE	A3
		4 PLC ± -		CAGE CODE	00779
		ANGLES ± -		DRAWING NO	2041307
		FINISH		RESTRICTED TO	-
MATERIAL		SEE NOTE		SCALE	1:1
SEE NOTE		SEE NOTE		SHEET	2 of 3
		CUSTOMER DRAWING		REV	D

THIS DRAWING IS UNPUBLISHED.

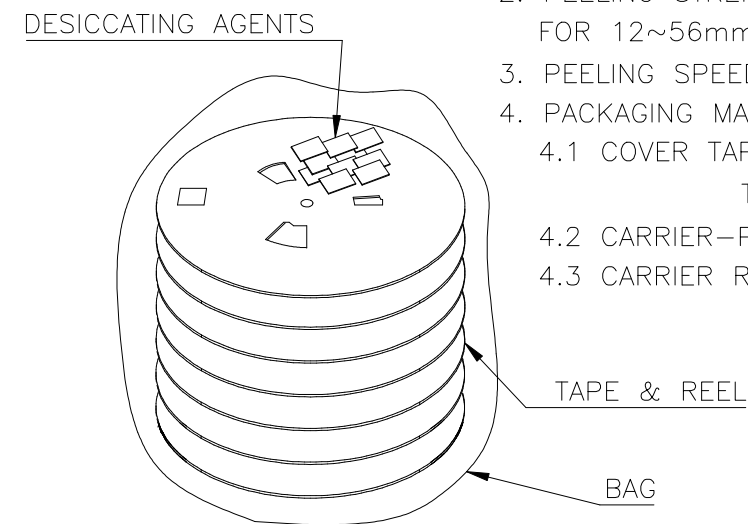
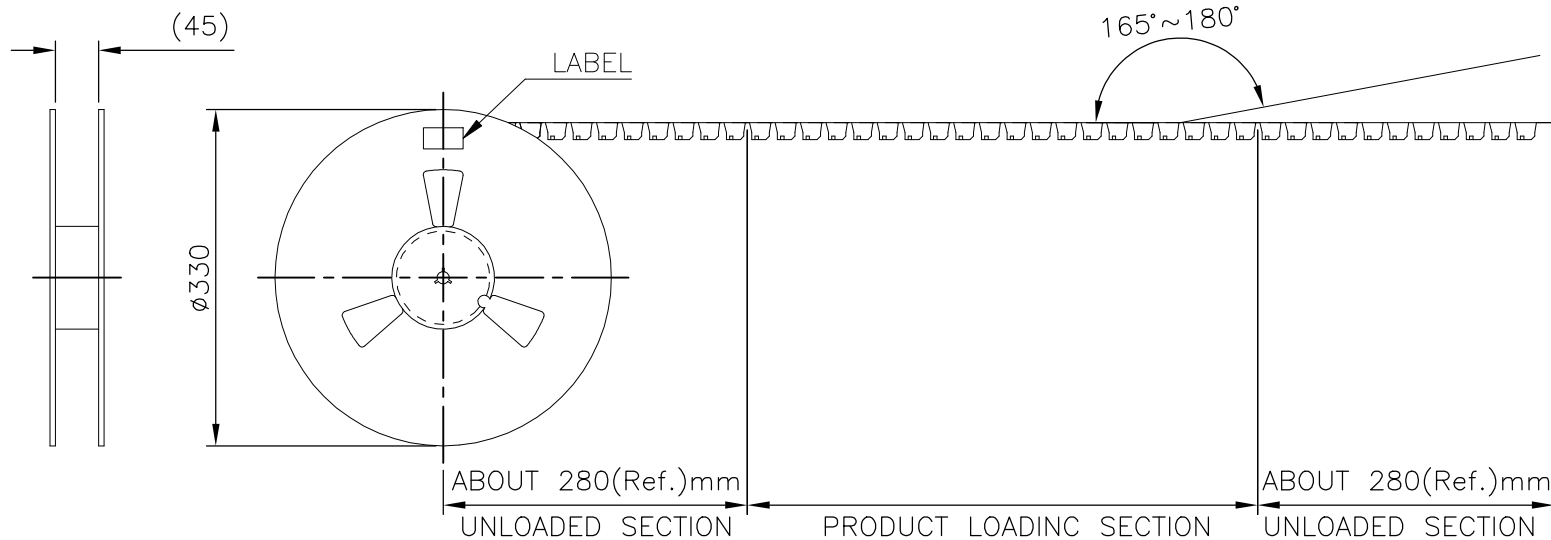
RELEASED FOR PUBLICATION

ALL RIGHTS RESERVED.

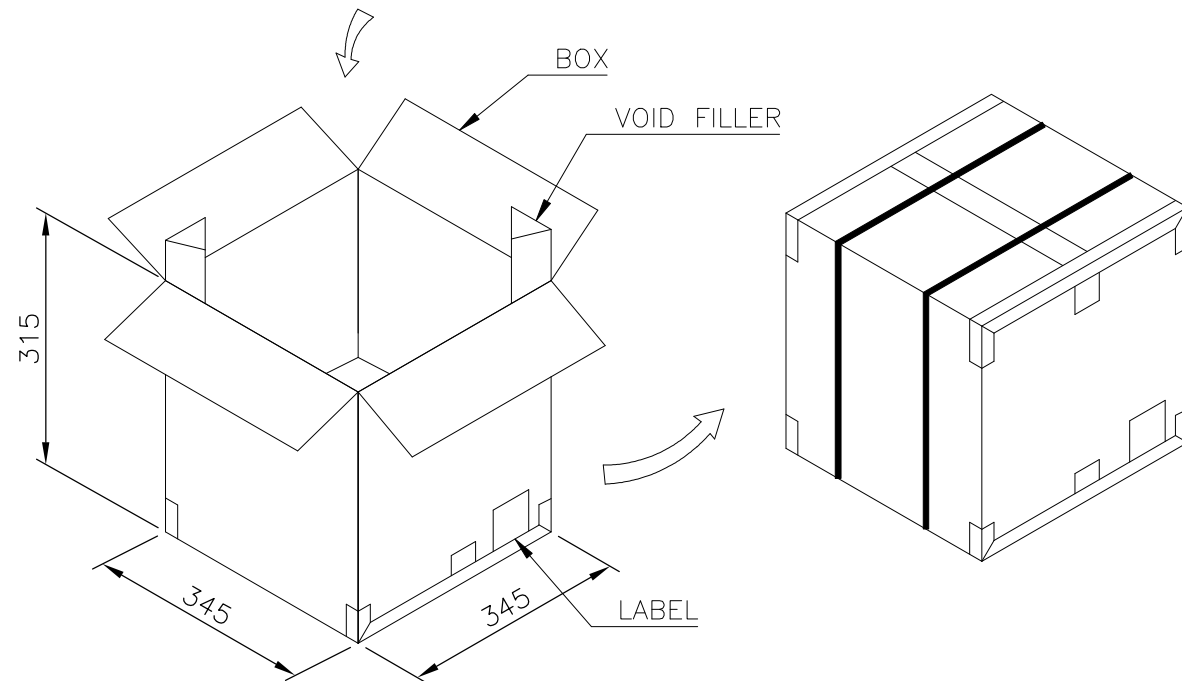
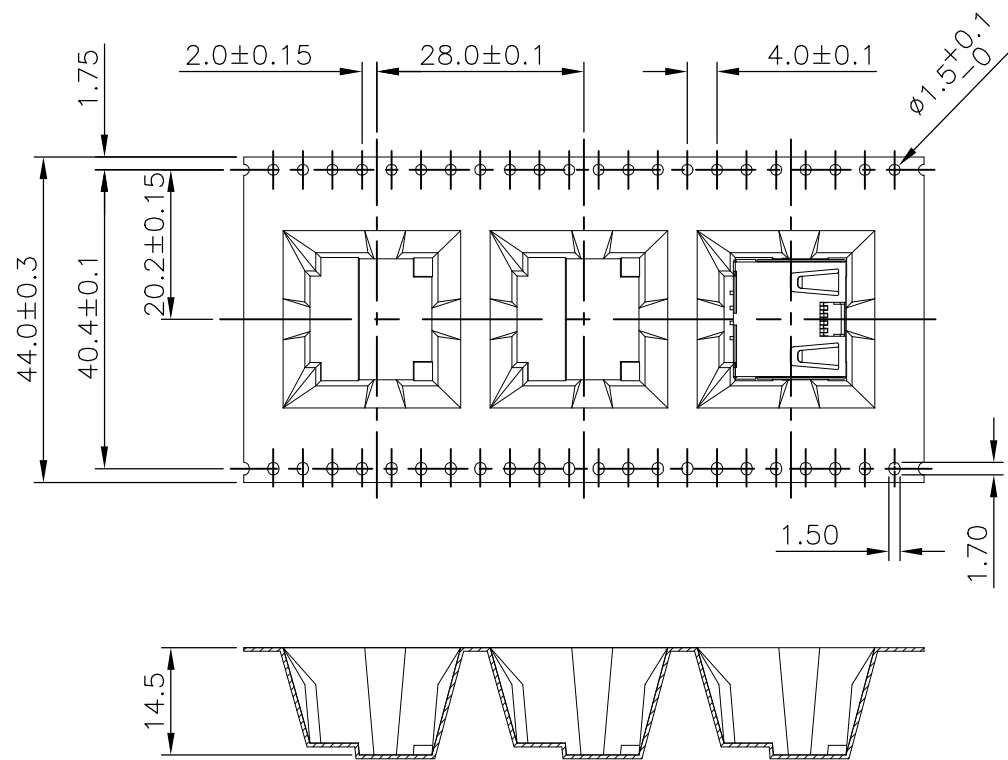
© COPYRIGHT - By -

REVISIONS

P	LTR	DESCRIPTION	DATE	DWN	APVD
-	-	SEE SHEET 1	-	-	-



- NOTE:
- EACH BAG SHALL BE INCLUDED:
*DESICCANT
 - PEELING STRENGTH: 0.1~1.3N(1~130 GRAMS)
FOR 12~56mm WIDE CARRIER TAPES
 - PEELING SPEED: 300mm/MINUTES.
 - PACKAGING MATERIAL:
 - COVER TAPE-COMPOSITE OF POLYETHYLENE TEREPHTHALATE (PET)
 - CARRIER-POLYSTYRENE (PS)
 - CARRIER REEL-POLYSTYRENE



5.8 Kg	2.62Kg	150	6	900	2041307-2
GROSS WEIGHT	NET WEIGHT	PCS/ REEL	REEL/ BOX	PCS/ BOX	PART NUMBER

THIS DRAWING IS A CONTROLLED DOCUMENT.		DWN E. LIU 10JAN2011	TE Connectivity														
DIMENSIONS: mm		CHK S. CHIEN 10JAN2011															
TOLERANCES UNLESS OTHERWISE SPECIFIED:		APVD W. KODAMA 10JAN2011	NAME														
<table border="0"> <tr><td>0 PLC</td><td>± -</td></tr> <tr><td>1 PLC</td><td>± 0.3</td></tr> <tr><td>2 PLC</td><td>± 0.2</td></tr> <tr><td>3 PLC</td><td>± 0.15</td></tr> <tr><td>4 PLC</td><td>± -</td></tr> <tr><td>ANGLES</td><td>± -</td></tr> </table>		0 PLC	± -	1 PLC	± 0.3	2 PLC	± 0.2	3 PLC	± 0.15	4 PLC	± -	ANGLES	± -	PRODUCT SPEC 108-57847	MODULAR JACK CONN RJ45 W/O LED, TAB UP, SIDE ENTRY OFFSET, DIP TYPE, H=8.2MM		
0 PLC	± -																
1 PLC	± 0.3																
2 PLC	± 0.2																
3 PLC	± 0.15																
4 PLC	± -																
ANGLES	± -																
MATERIAL SEE NOTE		APPLICATION SPEC -	SIZE A3	CAGE CODE 00779	DRAWING NO C-2041307												
FINISH SEE NOTE		WEIGHT -	RESTRICTED TO -		REV D												
CUSTOMER DRAWING			SCALE 1:1	SHEET 3 OF 3													