

PRODUCT DESCRIPTION CODE:

10155504-A0XX LF

CODING TYPE:
A = CODING A
BLACK COLOR

B = CODING B
NATURAL COLOR

C = CODING C
GREY COLOR

RoHS COMPATIBLE

FOR CUSTOMER CODE:

BLANK = GENERAL USE

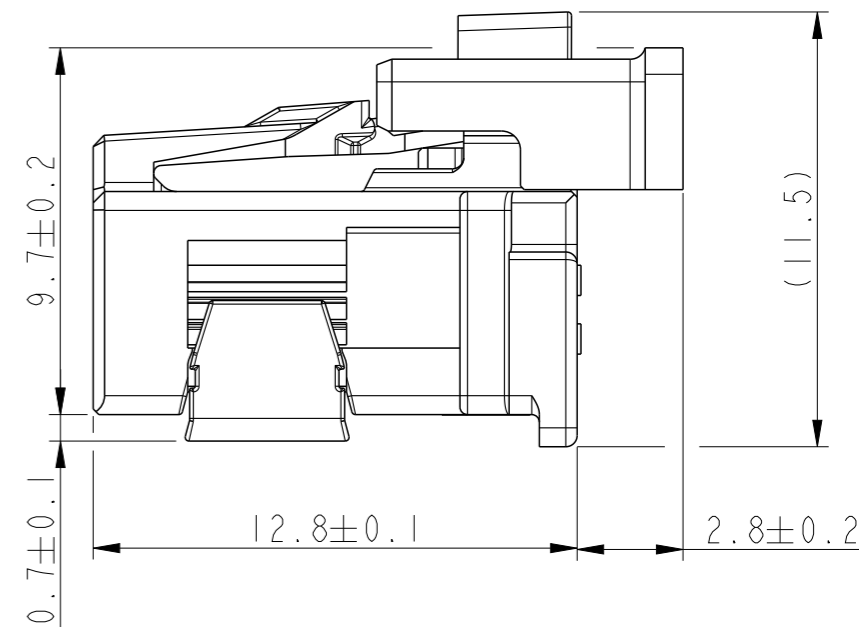
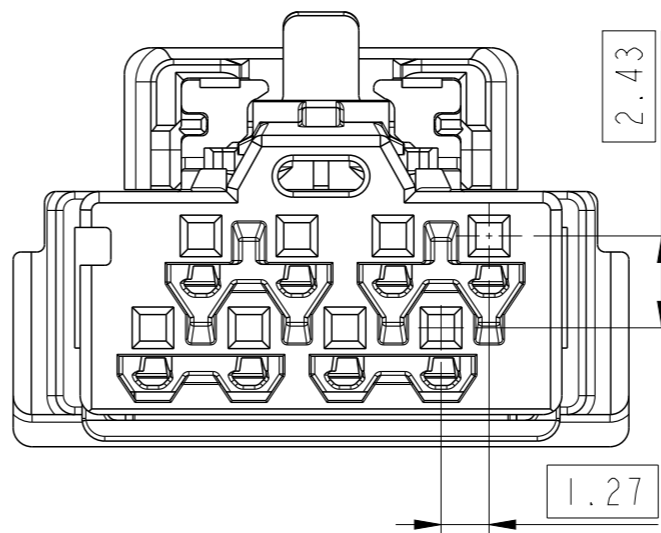
V = CUSTOMER DEDISCATED PART

M = COSTOMER DEDISCATED PART

BLANK = WITH CPA

W = WITHOUT CPA

NUMBER OF POSITIONS : 02 TO 16



NOTES:

1 - MATERIAL:
HIGH TEMPERATURE THERMOPLASTIC UL94 V-0
HOUSING : COLOR BLACK FOR CODING A
COLOR NATURAL FOR CODING B
COLOR GREY FOR CODING C
TPA : COLOR BLACK
CPA : COLOR RED

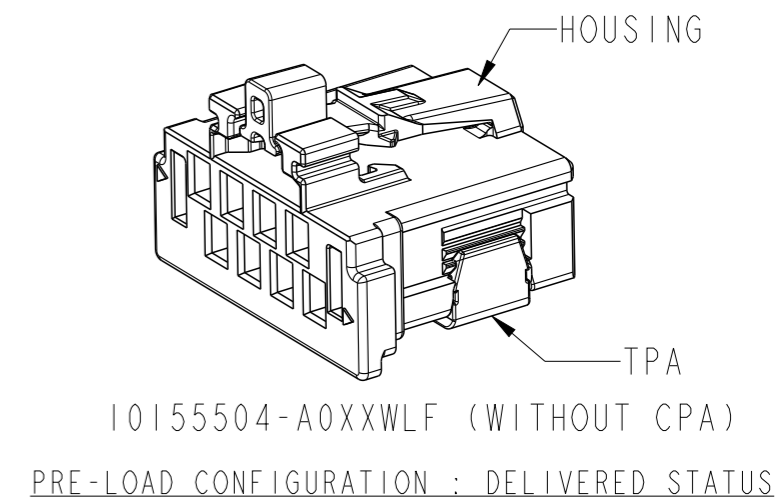
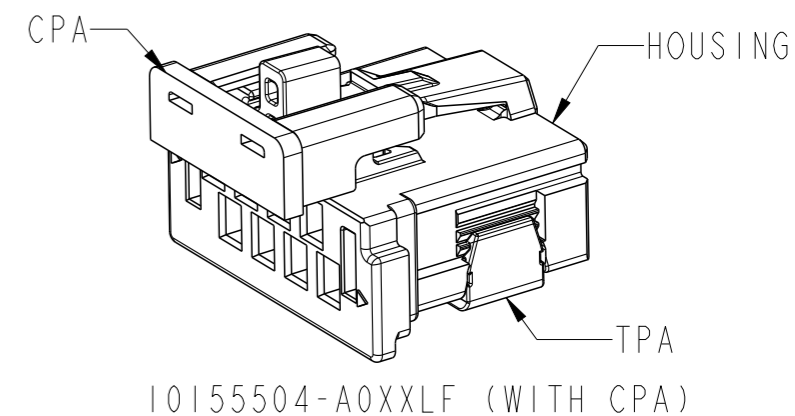
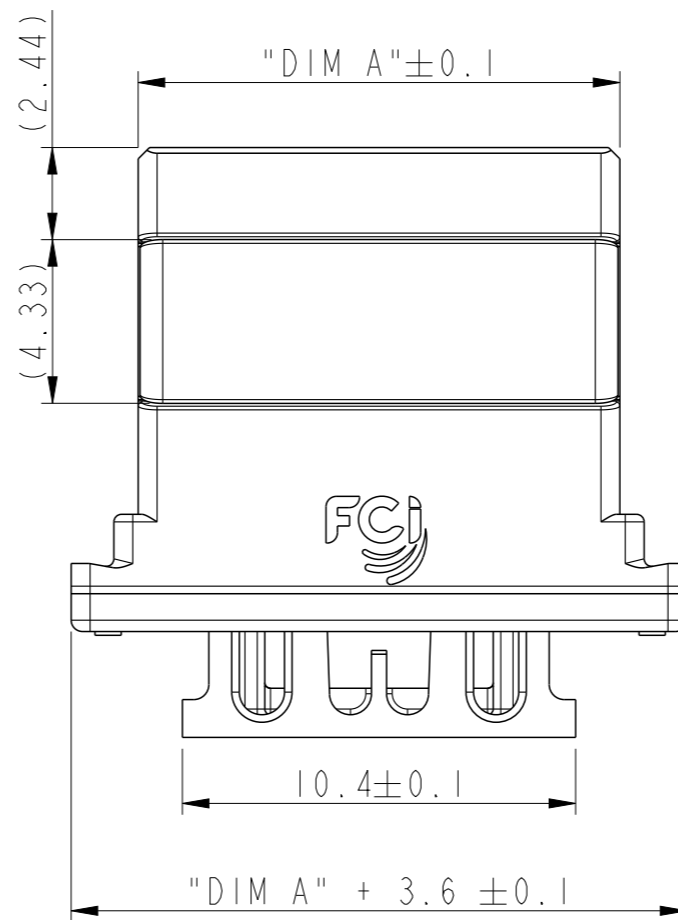
2 - FOR USE WITH MINITEK μSPACE CTW TERMINALS :
AWG 22 TO AWG 28, SERIES 10155447

3 - TO BE MATED WITH MINITEK MicroSpaceXS HEADERS SERIES
10155500, 10155502, 10155520

4 - PRODUCT SPECIFICATION : GS-12-1634
PACKAGING SPECIFICATION : GS-14-2777
APPLICATION SPECIFICATION : GS-20-0657

5 - THE PRODUCT IS NOT INTENDED TO BE EXPOSED TO ANY
SOLDER PROCESS.

6 - RoHS COMPATIBLE PRODUCT SPECIFICATIONS
a - LABELLING :
MEETS PACKAGING SPECS AS PER GS-14-920
b - LEGAL STATEMENT :
SEE GS-47-0004.



spec ref	dr	Sawanth, Ambaa	2020/06/01	projection	mm	size	A3	scale	5:1
tolerance std	eng	Detouillon, Da	2026/02/11			ecn no	ELX-F-52760-1	rel level	Released
ISO 406 ISO 1101	chr	Moisan, Gwenda	2026/02/11						
surface	linear	0.X	±0.3	product family	-	dwg no	10155504	rev	E
		0.XX	±0.1						
ISO 1302	angular	0°	±2°	cat. no.	-	Product - Customer Drw	sheet 1 of 4		

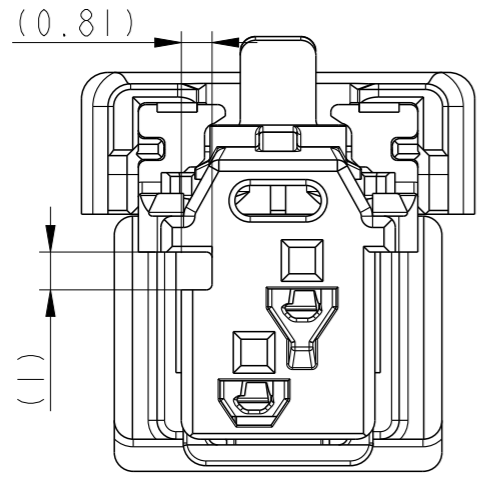


RECEPT ASSY STG TOP LATCH
MicroSpaceXS

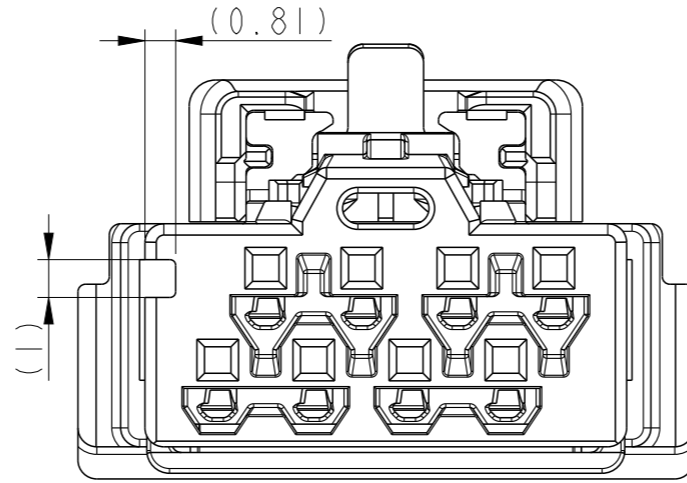
Amphenol FCI

© 2020 Amphenol Corporation

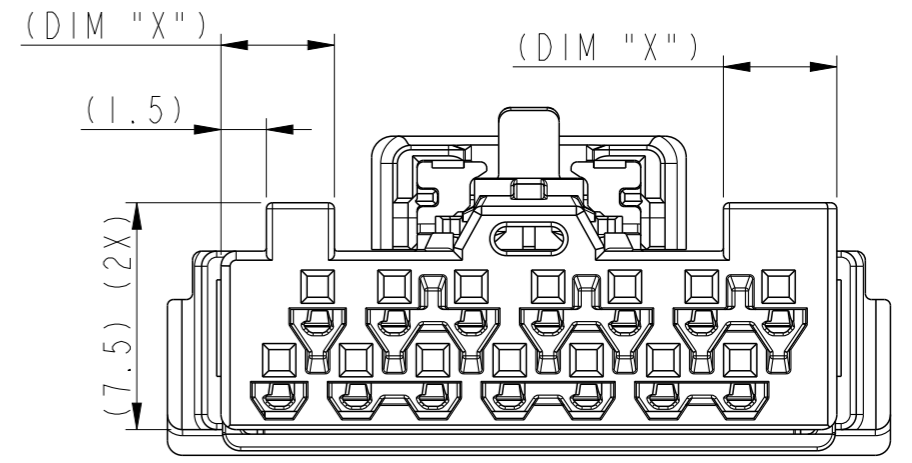
COD A VIEWS AND DIMENSIONS



FOR 2 POS

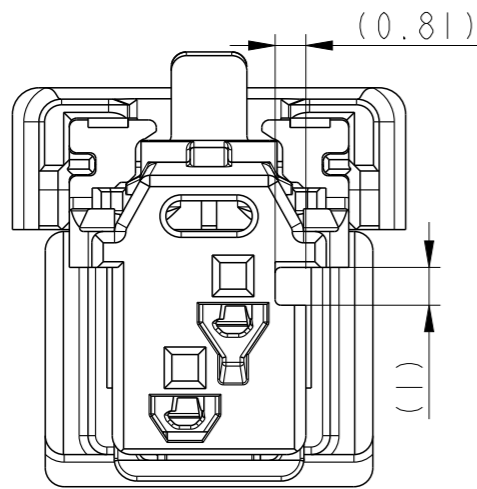


FOR 3 TO 11 POS

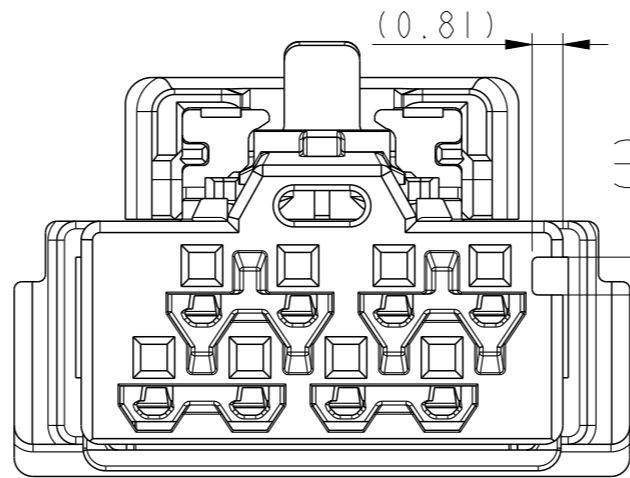


FOR 12 TO 16 POS

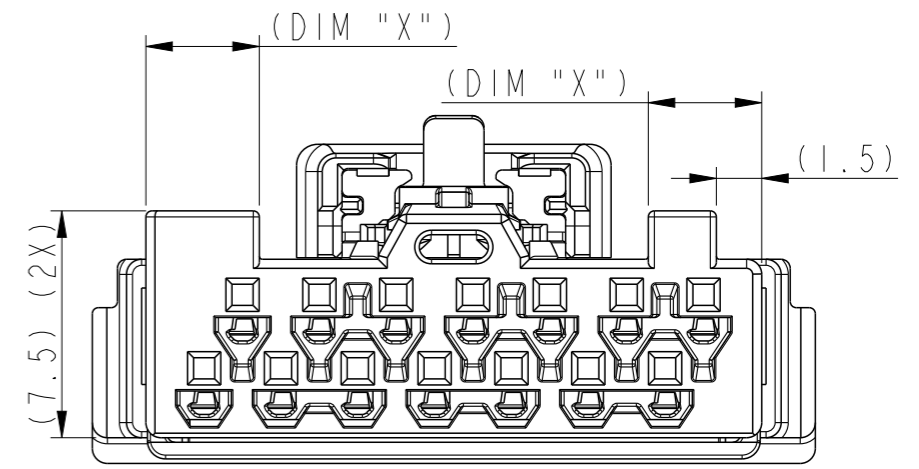
COD B VIEWS AND DIMENSIONS



FOR 2 POS

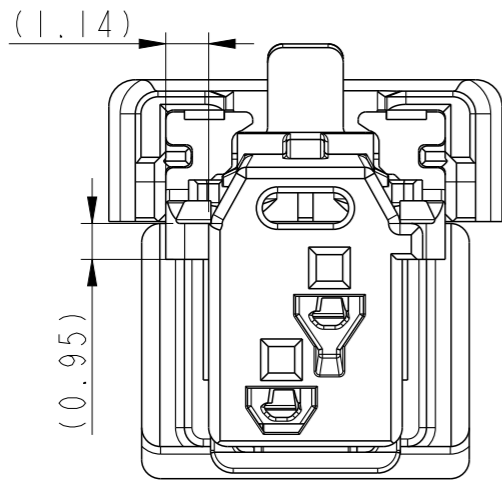


FOR 3 TO 11 POS

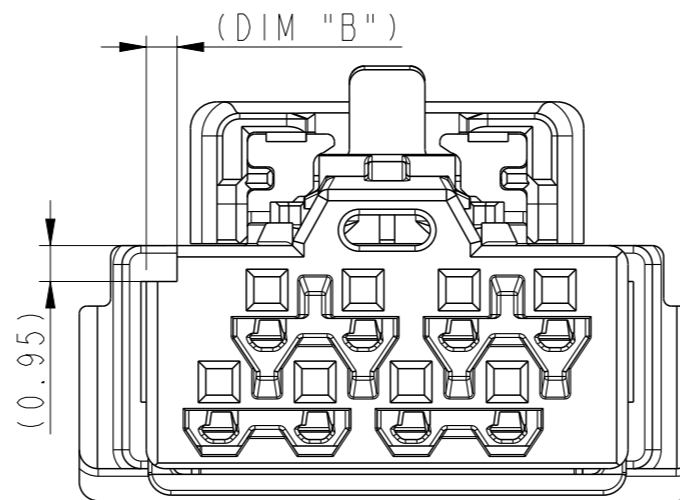


FOR 12 TO 16 POS

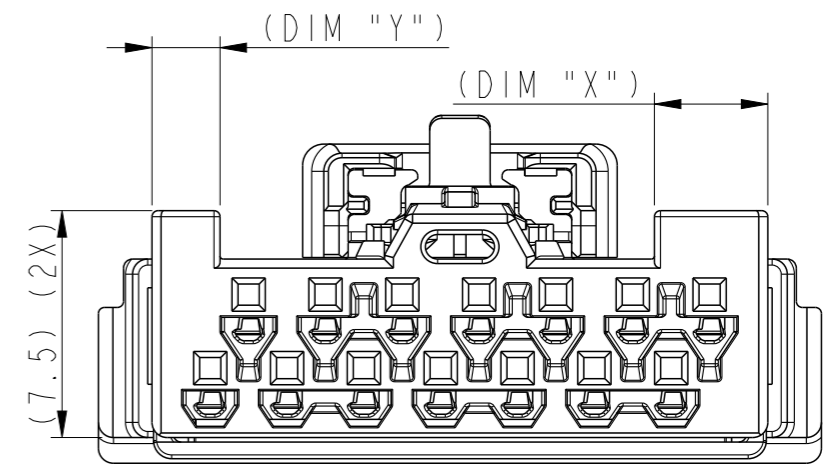
COD C VIEWS AND DIMENSIONS



FOR 2 POS



FOR 3 TO 11 POS



FOR 12 TO 16 POS

spec ref	dr	Sawanth, Ambaa	2020/06/01	projection	mm	size	A3	scale	5:1
tolerance std	eng	Detouillon, Da	2026/02/11			ecn no	ELX-F-52760-1		
ISO 406 ISO 1101	chr	Moisan, Gwenda	2026/02/11			rel level	Released		
surface	linear	0.X	±0.3		title RECEIPT ASSY STG TOP LATCH MicroSpaceXS	dwg no 10155504	rev E	cat. no.	
		0.XX	±0.10					-	
ISO 1302	angular	0°	±2°	-		-		-	

1

2

3

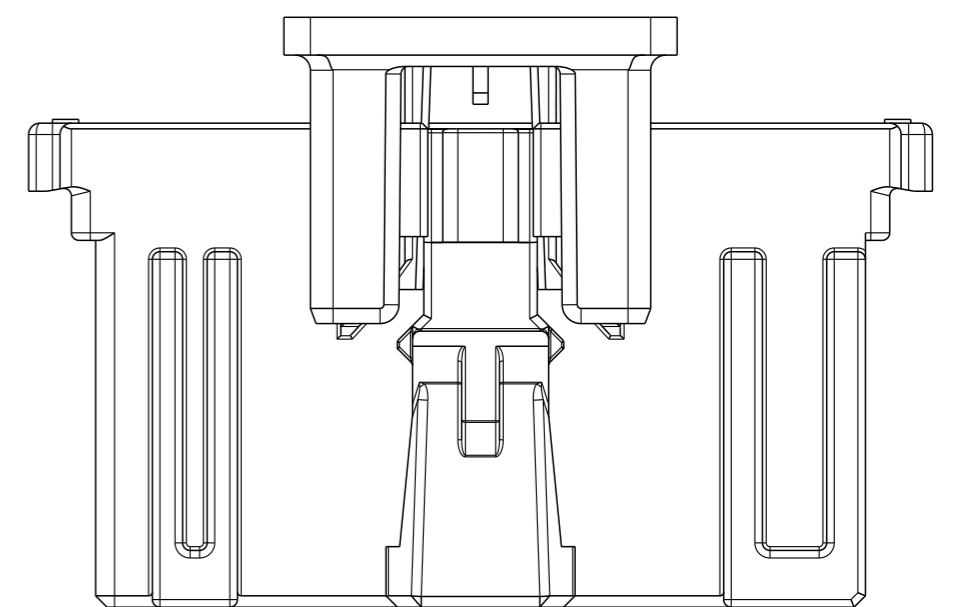
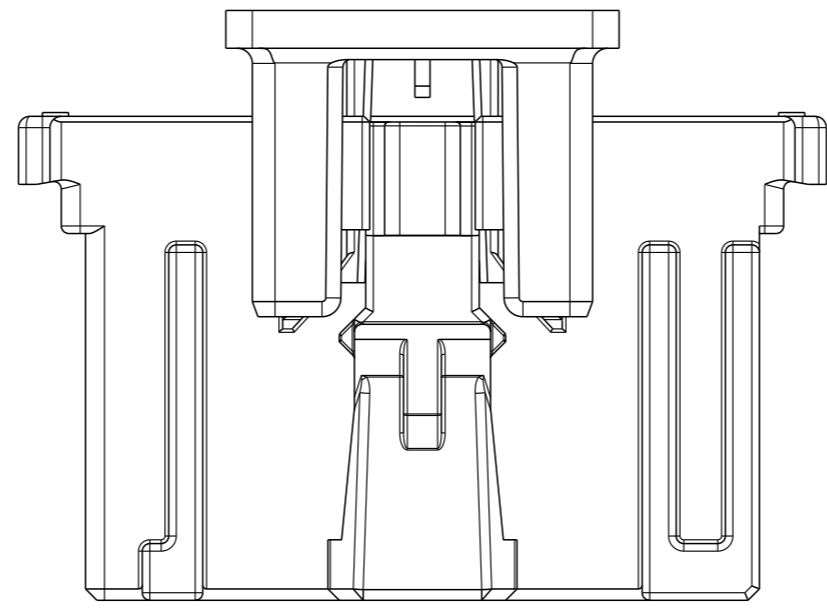
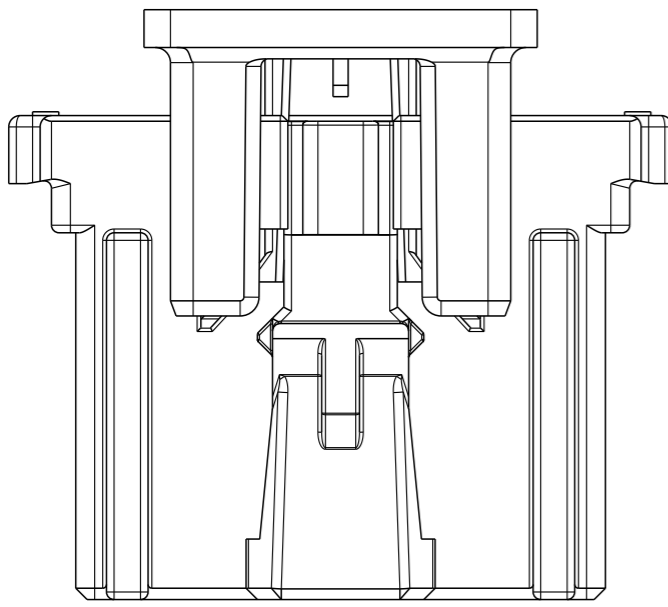
4

A

B

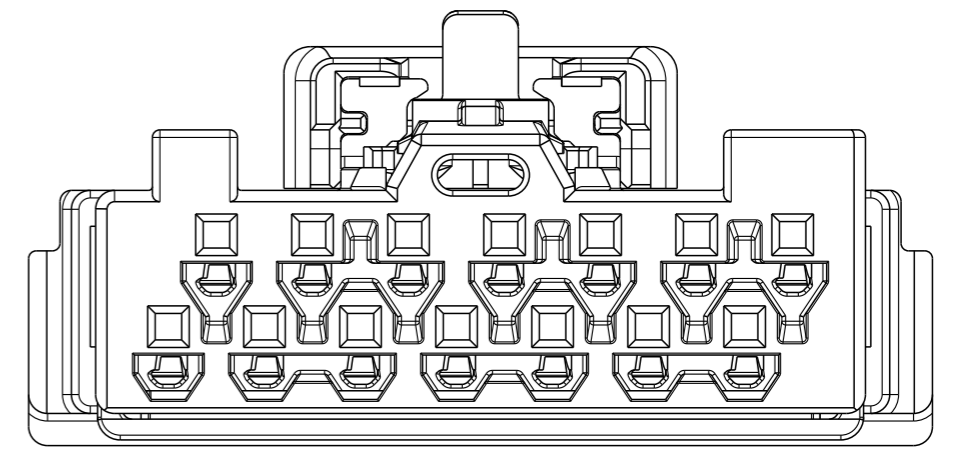
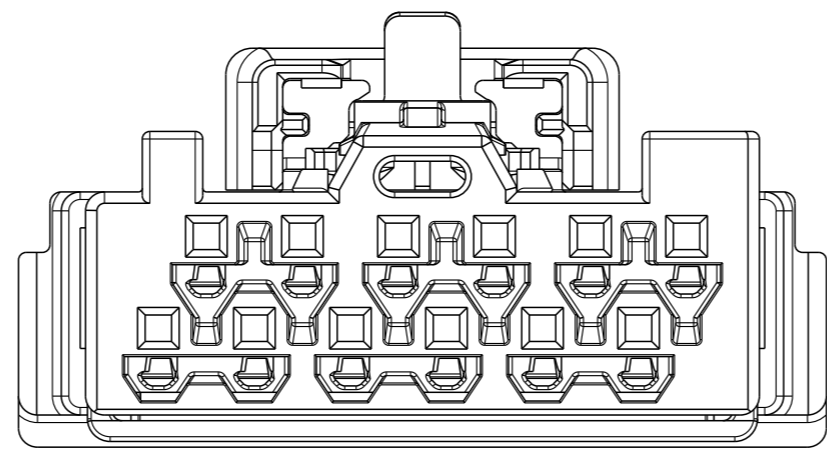
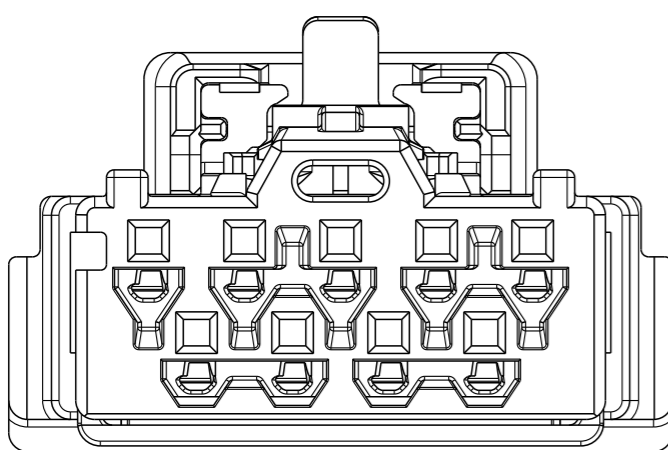
A

B



C

C



FOR 9 TO 11 POS

FOR 12 & 13 POS

FOR 14 TO 16 POS

RIBS ILLUSTRATION

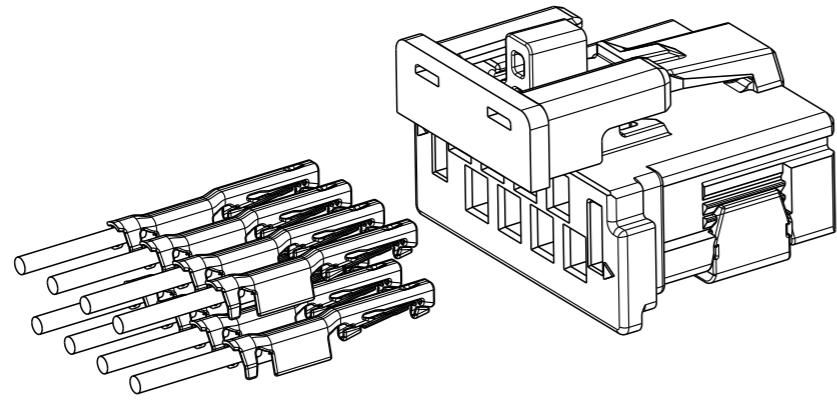
Amphenol
FCi

© 2020 Amphenol Corporation

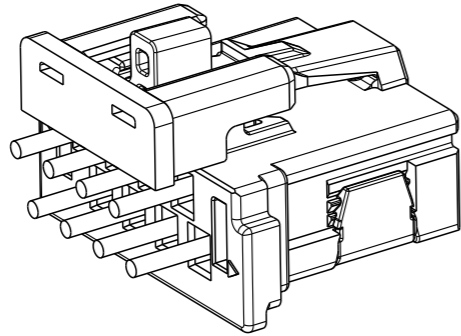
D

D

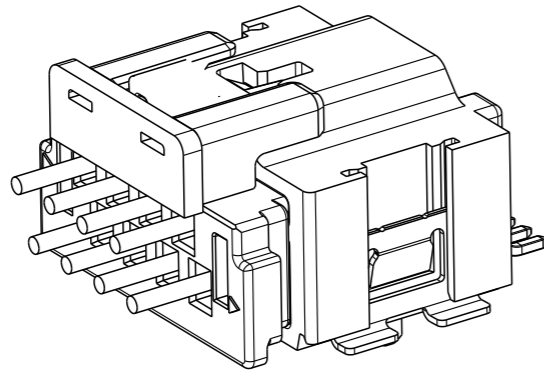
spec ref	GS-12-1634			dr	Sawanth, Ambaa	2020/06/01	projection 	mm ←→	size	A3	scale	5:1	
tolerance std	TOLERANCES UNLESS OTHERWISE SPECIFIED			eng	Detouillon, Da	2026/02/11			ecn no	ELX-F-52760-1			
ISO 406 ISO 1101				chr	Moisan, Gwenda	2026/02/11			rel level	Released			
surface	linear	0.X	±0.3	Amphenol FCi	RECEPT ASSY STG TOP LATCH	MicroSpaceXS	dwg no	10155504	rev	E			
ISO 1302		0.XX	±0.10								cat. no.	-	Product - Customer Drw
	angular	0°	±2°										



PRE-LOAD CONFIGURATION FOR TERMINAL INSERTION

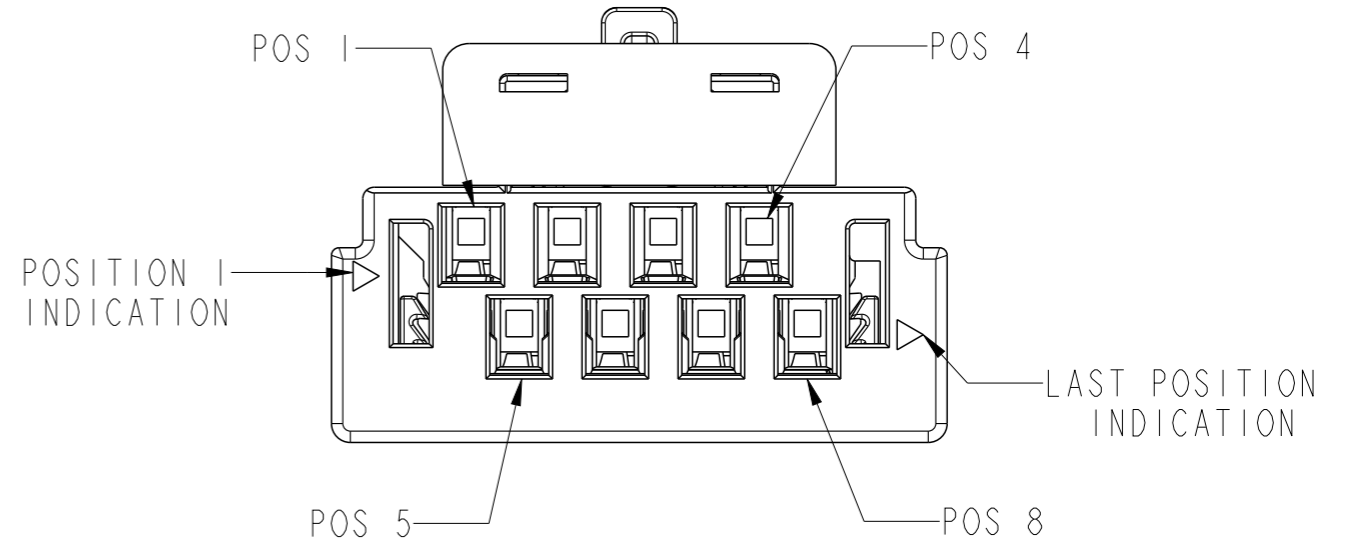


FINAL LOAD CONFIGURATION WITH INSERTED TERMINAL



FULL HEADER AND RECEPTACLE ASSEMBLY CONFIGURATION

PART NO.	AVAILABILITY	NO. OF POSN	DIM "A"	DIM "B"	DIM "X"	DIM "Y"
10155504-A002LF	TOOLED	02	05.12	N/A	N/A	N/A
10155504-A003LF	ON DEMAND	03	06.39	0.64	N/A	N/A
10155504-A004LF	TOOLED	04	07.66	0.81	N/A	N/A
10155504-A005LF	ON DEMAND	05	08.93	0.77	N/A	N/A
10155504-A006LF	TOOLED	06	10.20	0.81	N/A	N/A
10155504-A007LF	ON DEMAND	07	11.47	0.81	N/A	N/A
10155504-A008LF	TOOLED	08	12.74	0.81	N/A	N/A
10155504-A009LF	ON DEMAND	09	14.01	0.81	N/A	N/A
10155504-A010LF	TOOLED	10	15.28	0.81	N/A	N/A
10155504-A011LF	ON DEMAND	11	16.55	0.81	N/A	N/A
10155504-A012LF	ON DEMAND	12	17.82	N/A	3.1	1.6
10155504-A013LF	ON DEMAND	13	19.09	N/A	3.1	1.6
10155504-A014LF	ON DEMAND	14	20.36	N/A	3.75	2.25
10155504-A015LF	ON DEMAND	15	21.63	N/A	4.40	2.90
10155504-A016LF	ON DEMAND	16	22.90	N/A	5.05	3.55



POSITION NUMBER INDICATION FOR 8POS VERSION

spec ref	dr	Sawanth, Ambaa	2020/06/01	projection	mm	size	A3	scale	4:1
tolerance std	eng	Detouillon, Da	2026/02/11			ecn no	ELX-F-52760-1	rel level	Released
ISO 406 ISO 1101	chr	Moisan, Gwenda	2026/02/11						
surface	appr	Vallière, Jérôme	2026/02/11			dwg no	10155504	rev	E
ISO 1302				TOLERANCES UNLESS OTHERWISE SPECIFIED linear: 0.X ±0.3, 0.XX ±0.10, 0.XXX ± angular: 0° ±2°		cat. no.	-	Product - Customer Drw	sheet 4 of 4

Amphenol FCI

© 2020 Amphenol Corporation