

**AMPLIMITE .050 Series Plug Assemblies Unshielded for .025 [0.64] Centerline Ribbon Cable, Series III**

**Plug Assembly**



**Materials:**

**Housing and Termination Covers**

—Thermoplastic, 94V-0 rated, black

**Contacts**—Phosphor bronze, duplex plated .000030 [0.00076] min. gold on mating end, bright tin-lead on termination end, all over nickel underplating

**Recommended wire size**

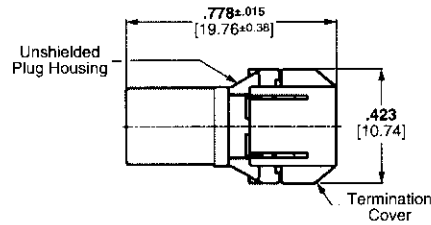
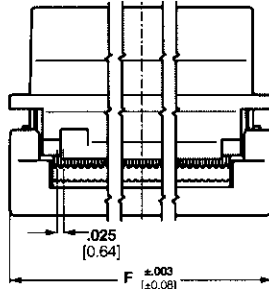
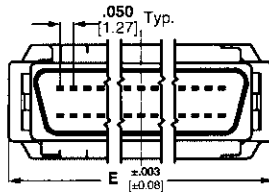
—.025 [0.64] centerline, 30 AWG [0.05mm<sup>2</sup>] solid or 7 strand, PVC, flat ribbon cable.

**Note:** Cable must be approved by Tyco Electronics Engineering.

**Technical Documents for 786090-7 only:**

**Product Specifications**—108-1359

**Application Specifications**—114-40049



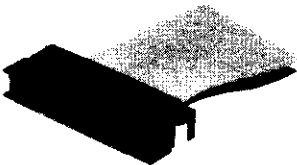
No. of Pos.	Dimensions		Part No.
	E	F	
50	1.578 40.07	1.578 40.07	390377-5 <sup>1</sup>
68	2.029 51.54	2.023 51.30	786090-7

**Note:** Termination Tooling: Manual Arbor Press Part No. 91085-2 or Pneumatic Press Part No. 91112-3, Universal Base Tool Part No. 768338-4, and Connector Specific Kit Part No. 679235-2. Refer to page 29

<sup>1</sup> Accepts 32 AWG Flat Ribbon Cable. Selection of compatible ribbon cable is the responsibility of the user.

**Note:** Refer to Tyco Electronics Customer drawings and Application Spec for PCB & panel layouts.

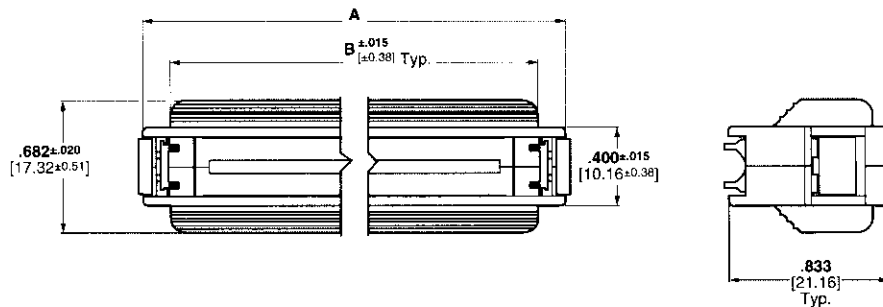
**Backshell Kit for 786090-7 .025 [0.64] & Unshielded Plug**



**Materials:**

**Backshell**—Thermoplastic, 94V-0 rated, black

**Spring Latches**—Stainless steel



No. of Pos.	Kit Part No.	Dimension	
		A	B
68	787032-7	2.415 [61.34]	2.125 [53.48]

**Strain Relief for 786090-7 .025 [0.64] & Unshielded Plug**

**68-Position**

**Part No. 787043-7**

**Materials:**

Thermoplastic, 94V-0 rated, black

**Note:** Pull tab Part No. 88450-8 can be used with this strain relief. Must be ordered separately.

