

VC-K-T3-Z - Sleeve housing

1852956

<https://www.phoenixcontact.com/us/products/1852956>

Please be informed that the data shown in this PDF document is generated from our online catalog. Please find the complete data in the user documentation. Our general terms of use for downloads are valid.



Sleeve housing, Range of articles: VARIOCON, design: VC3, housing material: Polyamide, color: gray, When using fiber optics, the bending radii of the cable manufacturers must be observed.

Commercial data

Item number	1852956
Packing unit	5 pc
Minimum order quantity	5 pc
Note	Made to order (non-returnable)
Sales key	AB01
Product key	ABLAAA
Catalog page	Page 35 (C-2-2013)
GTIN	4017918127282
Weight per piece (including packing)	68.13 g
Weight per piece (excluding packing)	68.13 g
Customs tariff number	85389099
Country of origin	PL

Technical data

Notes

General	When using fiber optics, the bending radii of the cable manufacturers must be observed.
Safety note	<p data-bbox="847 645 1449 730">WARNING: The connectors may not be plugged in or disconnected under load. Ignoring the warning or improper use may damage persons and/or property.</p> <ul data-bbox="847 741 1469 2130" style="list-style-type: none"><li data-bbox="847 741 1469 857">• WARNING: Commission properly functioning products only. The products must be regularly inspected for damage. Decommission defective products immediately. Replace damaged products. Repairs are not possible.<li data-bbox="847 869 1469 1066">• WARNING: Only electrically qualified personnel may install and operate the product. They must observe the following safety notes. The qualified personnel must be familiar with the basics of electrical engineering. They must be able to recognize and prevent danger. The relevant symbol on the packaging indicates that only personnel familiar with electrical engineering are allowed to install and operate the product.<li data-bbox="847 1077 1437 1133">• The products are suitable for applications in plant, controller, and electrical device engineering.<li data-bbox="847 1144 1449 1200">• When operating the connectors in outdoor applications, they must be separately protected against environmental influences.<li data-bbox="847 1211 1426 1267">• Assembled products may not be manipulated or improperly opened.<li data-bbox="847 1279 1449 1357">• Only use mating connectors that are specified in the technical data of the standards listed (e.g. the ones listed in the product accessories online at phoenixcontact.com/products).<li data-bbox="847 1368 1430 1424">• When using the product in direct connection with third-party manufacturers, the user is responsible.<li data-bbox="847 1435 1398 1491">• For operating voltages > 50 V AC, conductive connector housings must be grounded<li data-bbox="847 1503 1398 1559">• Ensure that the protective or functional ground has been properly connected.<li data-bbox="847 1570 1461 1648">• VDE 0100/1.97 § 411.1.3.2 and DIN EN 60 204/11.98 § 14.1.3 are applicable when combining several circuits in a cable and/or connector<li data-bbox="847 1659 1414 1850">• Observe the corresponding technical data. You will find information:<ul data-bbox="847 1727 1414 1850" style="list-style-type: none"><li data-bbox="847 1727 1015 1760">o On the product<li data-bbox="847 1760 1062 1794">o On the packing label<li data-bbox="847 1794 1158 1827">o In the supplied documentation<li data-bbox="847 1827 1414 1850">o Online at phoenixcontact.com/products under the product<li data-bbox="847 1861 1334 1895">• Only use tools recommended by Phoenix Contact<li data-bbox="847 1906 1406 1984">• The installation notes/Design In documents online on the download page at phoenixcontact.com/products must be observed for this product.<li data-bbox="847 1995 1449 2074">• Use a protective cap to protect connectors that are not in use. The suitable accessories are available online in the accessory section of the product at phoenixcontact.com/products<li data-bbox="847 2085 1374 2130">• Operate the connector only when it is fully plugged in.

VC-K-T3-Z - Sleeve housing

1852956

<https://www.phoenixcontact.com/us/products/1852956>

	<ul style="list-style-type: none">• Ensure that when laying the cable, the tensile load on the connectors does not exceed the upper limit specified in the standards.
	<ul style="list-style-type: none">• Observe the minimum bending radius of the cable. Lay the cable without twisting it.
	<ul style="list-style-type: none">• The connector warms up in normal operation. Depending on the ambient conditions, the surface of the connector can continue to warm up. In this case, the user is responsible for posting warnings (e.g. DIN EN ISO 13732-1:2008-12).

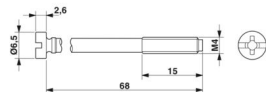
Product properties

Product type	Sleeve housings
Product family	VARIOCON
Type	VC3
No. of cable outlets	1
Type of the screw connection	Pg21
Fixing screws	M4
Shielded	no
Cable outlet	angled

Connection data

Tightening torque	1.2 ... 1.8 Nm
-------------------	----------------

Dimensions

Dimensional drawing	
Width	33 mm
Height	80 mm
Length	89 mm
Thread type on seal side	Pg21

Material specifications

Color	gray
Color of the housing part	gray
Material	Polyamide
Flammability rating according to UL 94	V0
Seal material	EPDM NBR
Housing material	Polyamide
O-ring material	NBR
Material of locking screw	Stainless steel

Mechanical properties

VC-K-T3-Z - Sleeve housing

1852956

<https://www.phoenixcontact.com/us/products/1852956>



Mechanical data

Type of the screw connection	Pg21
Locking type	Screw

Environmental and real-life conditions

Ambient conditions

Degree of protection	IP67 (DIN IEC 60529)
	IP67
Ambient temperature (operation)	-40 °C ... 80 °C

Mounting

Fixing screws	M4
---------------	----

VC-K-T3-Z - Sleeve housing

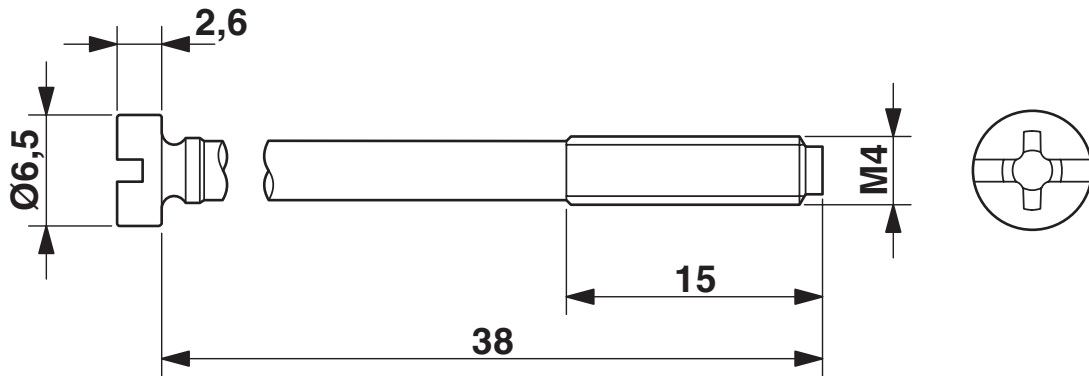
1852956

<https://www.phoenixcontact.com/us/products/1852956>

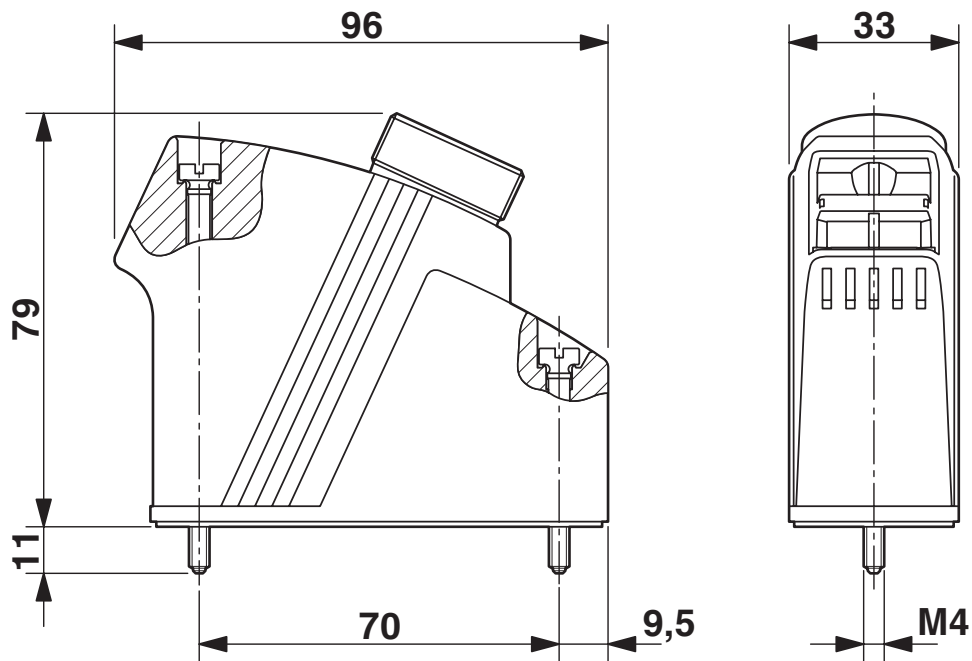


Drawings

Dimensional drawing



Dimensional drawing



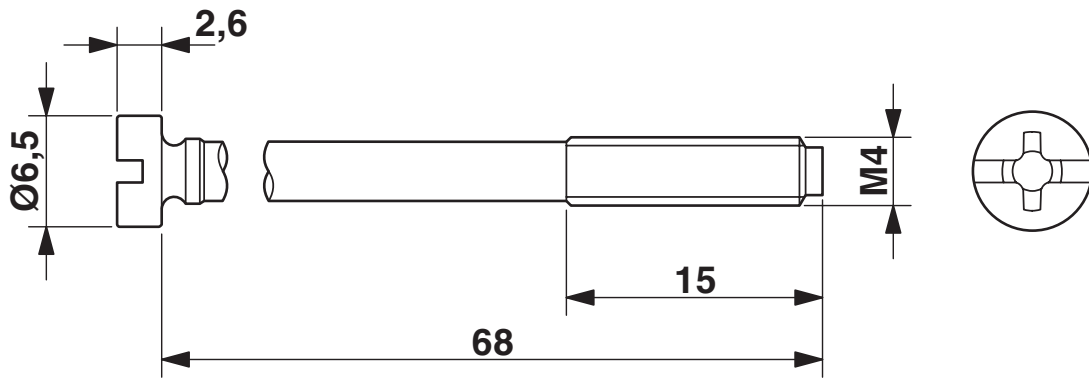
VC-K-T3-Z - Sleeve housing

1852956

<https://www.phoenixcontact.com/us/products/1852956>



Dimensional drawing



VC-K-T3-Z - Sleeve housing

1852956

<https://www.phoenixcontact.com/us/products/1852956>



Classifications

ECLASS

ECLASS-11.0	27440202
ECLASS-12.0	27440202
ECLASS-13.0	27440202

ETIM

ETIM 9.0	EC000437
----------	----------

UNSPSC

UNSPSC 21.0	31261500
-------------	----------

VC-K-T3-Z - Sleeve housing

1852956

<https://www.phoenixcontact.com/us/products/1852956>



Environmental product compliance

EU RoHS

Fulfills EU RoHS substance requirements	Yes, No exemptions
-----------------------------------------	--------------------

China RoHS

Environment friendly use period (EFUP)	EFUP-E
	No hazardous substances above the limits

EU REACH SVHC

REACH candidate substance (CAS No.)	No substance above 0.1 wt%
-------------------------------------	----------------------------

VC-K-T3-Z - Sleeve housing

1852956

<https://www.phoenixcontact.com/us/products/1852956>

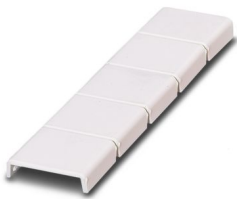


Accessories

VC-BZS WH - Marking label

1852875

<https://www.phoenixcontact.com/us/products/1852875>



Marker labels, unprinted, 5-section, for individual labeling with M-PEN or CMS system, white

VC-K-KV-PG21(7-10,5) - Cable gland

1853890

<https://www.phoenixcontact.com/us/products/1853890>



Half screw connection Pg21, made of plastic, consisting of rubber seal with one hole and one pressure screw, for type 2 - 4 housings, cable [mm] 7.5 - 10.5

VC-K-T3-Z - Sleeve housing

1852956

<https://www.phoenixcontact.com/us/products/1852956>



VC-K-KV-PG21(9-13) - Cable gland

1853900

<https://www.phoenixcontact.com/us/products/1853900>



Half screw connection Pg21, made of plastic, consisting of rubber seal with one hole and one pressure screw, for type 2 - 4 housings, cable [mm] 9 - 13

VC-K-KV-PG21(11,5-15,5) - Cable gland

1853913

<https://www.phoenixcontact.com/us/products/1853913>



Half screw connection Pg21, made of plastic, consisting of rubber seal with one hole and one pressure screw, for type 2 - 4 housings, cable [mm] 11.5 - 15.5

VC-K-T3-Z - Sleeve housing

1852956

<https://www.phoenixcontact.com/us/products/1852956>



VC-K-KV-PG21(14-18) - Cable gland

1853926

<https://www.phoenixcontact.com/us/products/1853926>



Half screw connection Pg21, made of plastic, consisting of rubber seal with one hole and one pressure screw, for type 2 - 4 housings, cable [mm] 14 - 18

VC-K-KV-PG21(17-20,5) - Cable gland

1853939

<https://www.phoenixcontact.com/us/products/1853939>



Half screw connection Pg21, made of plastic, consisting of rubber seal with one hole and one pressure screw, for type 2 - 4 housings, cable [mm] 17 - 20.5

VC-K-T3-Z - Sleeve housing

1852956

<https://www.phoenixcontact.com/us/products/1852956>



VC-K-KV-PG21 1X6/2X9 - Cable gland

1885538

<https://www.phoenixcontact.com/us/products/1885538>



Half screw connection Pg21, made of plastic, consisting of rubber seal with several holes (1 x 6 mm/2 x 9 mm) and a pressure screw, for cable screw connection support VC-M-KV-PG21.....

VC-K-KV-PG21-1X8,5/1X12 - Cable gland

1885279

<https://www.phoenixcontact.com/us/products/1885279>



Half screw connection Pg21, made of plastic, consisting of rubber seal with several holes (1 x 8.5 mm/1 x 12 mm) and a pressure screw, for cable screw connection thread VC-M-KV-PG21.....

VC-K-T3-Z - Sleeve housing

1852956

<https://www.phoenixcontact.com/us/products/1852956>



VC-K-KV-PG21-2X4,5/1X13 - Cable gland

1885282

<https://www.phoenixcontact.com/us/products/1885282>



Half screw connection Pg21, made of plastic, consisting of rubber seal with several holes (2 x 4.5 mm/1 x 13 mm) and a pressure screw, for cable screw connection thread VC-M-KV-PG21.....

VC-K-KV-PG21 2X6/2X8 - Cable gland

1885554

<https://www.phoenixcontact.com/us/products/1885554>



Half screw connection Pg21, made of plastic, consisting of rubber seal with several holes (2 x 6 mm/2 x 8 mm) and a pressure screw, for cable screw connection support VC-M-KV-PG21.....

VC-K-T3-Z - Sleeve housing

1852956

<https://www.phoenixcontact.com/us/products/1852956>



VC-K-KV-PG21 2X7,2/1X10,5 - Cable gland

1885567

<https://www.phoenixcontact.com/us/products/1885567>



Half screw connection Pg21, made of plastic, consisting of rubber seal with several holes (2 x 7.2 mm/ 1 x 10.5 mm) and a pressure screw, for cable screw connection thread VC-M-KV-PG21.....

VC-K-KV-PG21 3X7 - Cable gland

1885570

<https://www.phoenixcontact.com/us/products/1885570>



Half screw connection Pg21, made of plastic, consisting of rubber seal with several holes (3 x 7 mm) and one pressure screw, for cable screw connection support VC-M-KV-PG21.....

VC-K-T3-Z - Sleeve housing

1852956

<https://www.phoenixcontact.com/us/products/1852956>



VC-K-KV-PG21 3X9 - Cable gland

1885583

<https://www.phoenixcontact.com/us/products/1885583>



Half screw connection Pg21, made of plastic, consisting of rubber seal with several holes (3 x 9 mm) and one pressure screw, for cable screw connection support VC-M-KV-PG21.....

VC-K-KV-PG21 4X6,5 - Cable gland

1885596

<https://www.phoenixcontact.com/us/products/1885596>



Half screw connection Pg21, made of plastic, consisting of rubber seal with several holes (4 x 6.5 mm) and one pressure screw, for cable screw connection support VC-M-KV-PG21.....

VC-K-T3-Z - Sleeve housing

1852956

<https://www.phoenixcontact.com/us/products/1852956>



VC-K-KV-PG21 4X8 - Cable gland

1885606

<https://www.phoenixcontact.com/us/products/1885606>



Half screw connection Pg21, made of plastic, consisting of rubber seal with several holes (4 x 8 mm) and one pressure screw, for type 2 - 4 housings

VC-M-KV-PG21/M32 ST - Cable gland

1644397

<https://www.phoenixcontact.com/us/products/1644397>



Cable gland for Pg21 half screw connection to M32 housing entry, metal

VC-K-T3-Z - Sleeve housing

1852956

<https://www.phoenixcontact.com/us/products/1852956>



VC-SCHR.ZYL-B-M4X38X15-Z2L-V4A - Connector component

1628354

<https://www.phoenixcontact.com/us/products/1628354>

M4x38x15 mm cylinder screw as replacement for VC sleeve housing



VC-SCHR.ZYL-B-M4X68X15-Z2L-V4A - Connector component

1628355

<https://www.phoenixcontact.com/us/products/1628355>

M4x68x15 mm cylinder screw as replacement for VC sleeve housing



VC-K-T3-Z - Sleeve housing

1852956

<https://www.phoenixcontact.com/us/products/1852956>



VC-O-RING 3X1,5 NBR-NT70:100 - Connector component

1628356

<https://www.phoenixcontact.com/us/products/1628356>

O-ring as replacement for VC sleeve housing



VC-SD3 - Protective cover

1853696

<https://www.phoenixcontact.com/us/products/1853696>



Protective cover, Range of articles: VARIOCON, design: VC3, housing material: PA 6, color: gray

VC-K-T3-Z - Sleeve housing

1852956

<https://www.phoenixcontact.com/us/products/1852956>



VC-SD-T3 - Protective cover

1886744

<https://www.phoenixcontact.com/us/products/1886744>



Protective cover, design: VC3, housing material: PA 6, color: gray

Phoenix Contact 2024 © - all rights reserved

<https://www.phoenixcontact.com>

Phoenix Contact USA
586 Fulling Mill Road
Middletown, PA 17057, United States
(+717) 944-1300
info@phoenixcon.com