

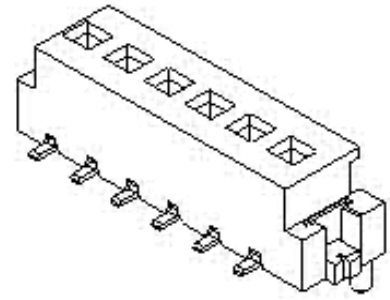
Part Number : [548611670](#)

Product Description : 2.00mm Pitch HIC/LCD Pin Connector, Vertical, Surface Mount, 16 Circuits

Series Number : 54861

Status : Obsolete

Product Category : Sockets




Documents and Resources

Drawings

[548611670_sd.pdf](#)

Product Environment Compliance

Compliance

GADSL/IMDS	Duty-To-Declare
China RoHS	 per SJ/T 11365-2006
EU ELV	Compliant per 2000/53/EC
Low-Halogen Status	Not Low-Halogen per IEC 61249-2-21
REACH SVHC	Not Contained per D(2025)7771-DC (04 Feb 2026)
EU RoHS	Compliant per EU 2015/863

Compliance Statements

- EU RoHS
- REACH SVHC
- Low-Halogen

Industry Documents

- IPC 1752A Class C
- IPC 1752A Class D
- Molex Product Compliance Declaration
- IEC-62474
- chemSHERPA (xml)

Substances of Interest

- PFAS

Part Details

General

Status	Obsolete
Category	Sockets
Series	54861
Description	2.00mm Pitch HIC/LCD Pin Connector, Vertical, Surface Mount, 16 Circuits
Component Type	Socket
Product Name	N/A
UPC	822350041652

Electrical

Current - Maximum per Contact	1.0A
Voltage - Maximum	125V AC (RMS)/DC

Physical

Circuits (Loaded)	16
Circuits (maximum)	16
Color - Resin	Natural
Durability (mating cycles max)	10
Entry Angle	Vertical
Keying to Mating Part	N/A
Material - Metal	Phosphor Bronze
Material - Plating Mating	Tin
Material - Plating Termination	Tin
Net Weight	0.600/g
Packaging Type	Embossed Tape on Reel
PCB Locator	Yes
PCB Retention	Yes
Pitch - Mating Interface	2.00mm
Temperature Range - Operating	-40° to +105°C

Termination Interface Style	Surface Mount
-----------------------------	---------------

Mates With / Use With

Mates with Part(s)

Description	Part Number
Mates With	LCD Pin, HIC Pin

This document was generated on May 06, 2026

Obsolete