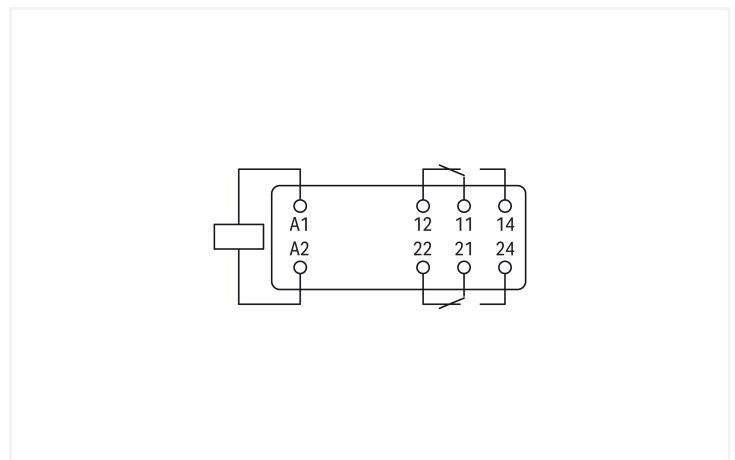
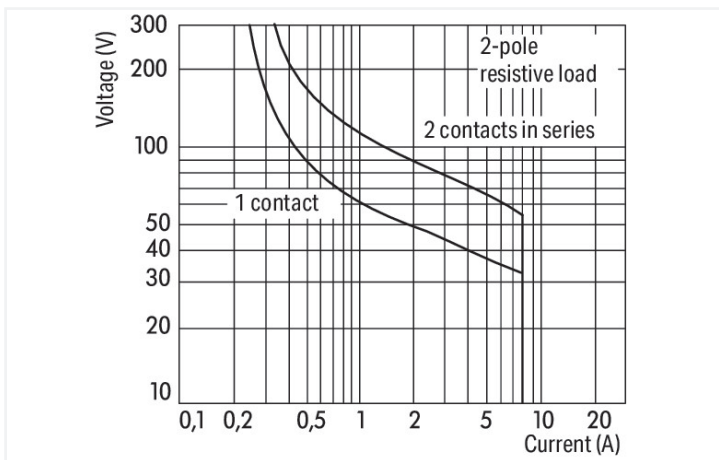


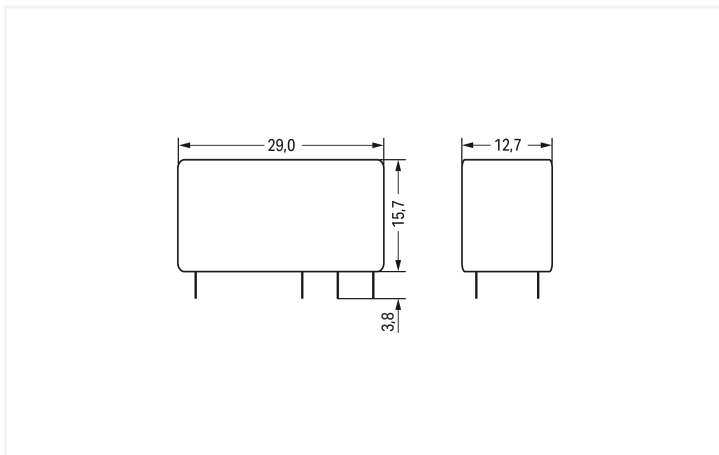
# Data Sheet | Item Number: 788-156

Basic relay; Nominal input voltage: 24 VDC; 2 changeover contacts; Limiting continuous current: 8 A; Module width: 13 mm; Module height: 15 mm

<https://www.wago.com/788-156>



DC load limit curve



Dimensions in mm

## Technical data

### Control circuit

Nominal input voltage $U_N$	24 VDC
Nominal input current at $U_N$	17 mA

### Load circuit

Number of changeover/switchover contacts	2
Contact material (relay)	AgNi 90/10
Limiting continuous current	8 A
Inrush current (resistive) max.	(AC) 15 A / 4 s
Switching Voltage, Max.	250 VAC
Switching power (resistive) max.	AC 2000 VA; DC (see load limit curve)
Switching capacity	AC-15: 3 A / 250 VAC; DC-13: 2 A / 24 VDC
Recommended minimum load	12 V / 10 mA
Pull-in time (typ.)	8 ms
Drop-out time (typ.)	6 ms
Bounce time (typ.)	10 ms
Electrical life (NO; resistive load; 23 °C)	10 x 10 <sup>3</sup> switching operations
Mechanical life	30 x 10 <sup>6</sup> switching operations
Switching frequency with/without load (max.)	6 min <sup>-1</sup> / 1200 min <sup>-1</sup>

## Safety and protection

Dielectric strength (control/load circuit) (AC, 1 min)	5 kVrms
Dielectric strength (open contact) (AC, 1 min)	1 kVrms
Dielectric strength (load/load circuit) (AC, 1 min)	2.5 kVrms

## Physical data

Width	12.7 mm / 0.5 inches
Height from the surface	15.7 mm / 0.618 inches
Depth	29 mm / 1.142 inches

## Mechanical data

Mounting type	Pluggable module
---------------	------------------

## Material data

Note (material data)	<a href="#">Information on material specifications can be found here</a>
Fire load	0.68 MJ
Weight	13.6 g

## Environmental requirements

Ambient temperature (operation at $U_N$ )	-40 ... +85 °C
Ambient temperature (storage)	-40 ... +85 °C

### Standards and Specifications

Standards/specifications	EN 61810-1
--------------------------	------------

### Commercial data

Product Group	6 (INTERFACE ELECTRONIC)
PU (SPU)	20 (1) pcs
Packaging type	Box
Country of origin	AT
GTIN	4044918971881
Customs tariff number	85364900990

### Product Classification

UNSPSC	39122334
eCl@ss 10.0	27-37-16-01
eCl@ss 9.0	27-37-16-01
ETIM 9.0	EC001437
ETIM 10.0	EC001437
ECCN	NO US CLASSIFICATION

### Environmental Product Compliance

CAS-No.	7439-92-1 7440-43-9
REACH Candidate List Substance	Cadmium Lead
RoHS Compliance Status	Compliant, No Exemption
SCIP notification number (Austria)	16380775-5ade-47b7-b9a2-473fd41b6d53
SCIP notification number (Belgium)	99d65ef7-ffbd-4096-989c-cba462daaed2
SCIP notification number (Bulgaria)	1614bc46-37d6-4889-be8f-0482bf04d1d7
SCIP notification number (Czech Republic)	a16d6cb2-7233-4e95-8194-d9e2c670886a
SCIP notification number (Denmark)	84aa989a-3ad6-43af-b3ff-bb1f2413bf5a
SCIP notification number (Finland)	f51fc8ff-91cb-4772-8ec2-2fedbaca3b79
SCIP notification number (France)	0ade93f4-ac11-4600-b3ea-008304b29311
SCIP notification number (Germany)	6ebdb412-9a95-425f-9893-d83d9ebd2f55
SCIP notification number (Hungary)	3fdaac84-0eb6-430a-8a53-7593428a0a71
SCIP notification number (Italy)	bc15bf02-e616-40ba-bfbc-7f7b9c3943cf
SCIP notification number (Netherlands)	8e3d2e72-86d1-49f4-bc9c-eae8cb6810ad
SCIP notification number (Poland)	1ba5e6a6-f056-4ac6-9a9e-3792e2447eaa
SCIP notification number (Romania)	b76ab434-8cd5-4d58-9095-b10d9911985a
SCIP notification number (Sweden)	24acd247-fe13-499d-9c3e-dcca0bee7c90

### Downloads

#### Environmental Product Compliance

##### Compliance Search

Environmental Product  
Compliance 788-156



## Documentation

Bid Text			
788-156	19.02.2019	xml 3.59 KB	<a href="#">↓</a>
788-156	20.02.2019	docx 15.56 KB	<a href="#">↓</a>

## CAD/CAE-Data

CAD data
2D/3D Models 788-156 <a href="#">↓</a>

CAE data
WSCAD Universe 788-156 <a href="#">↓</a>

## 1 Compatible Products

### 1.1 Optional Accessories

#### 1.1.1 Socket

##### 1.1.1.1 Socket without relay



**Item No.: 788-102**

Relay socket; 2 changeover contacts; for 15 mm basic relays; gray