



## 369 SERIES CONNECTORS

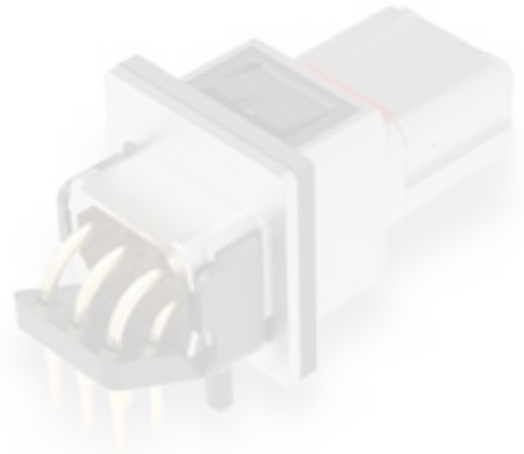
HIGH-RELIABILITY, LIGHTWEIGHT, SMALL FORM FACTOR CONNECTORS SUITED TO HARSH ENVIRONMENTS ...

- EWIS Compliant
- Simple Install and Maintenance
- Space Efficient / Stackable

# Table of Contents

---

|                                     |    |
|-------------------------------------|----|
| Overview                            | 3  |
| In-Line Standard Connectors         | 4  |
| In-Line Harsh Connectors            | 6  |
| Panel-Mount Connectors              | 7  |
| Sealed Panel-Mount Connectors       | 9  |
| PCB-Mount Connectors                | 10 |
| Shielded Rectangular Connectors     | 12 |
| Shielded PCB/Panel-Mount Connectors | 14 |
| Part Numbering System               | 18 |
| Accessories                         | 19 |
| Contact Crimping                    | 21 |
| Common Part Numbers                 | 22 |





## High-reliability, lightweight, compact connectors

### RUGGED

- BACC options available
- EMI shielded option available
- Low smoke, toxicity and flammability
- Excellent temperature, vibration and fluid resistance
- Triple barrier wire seals
- Cork-in-bottle interface seal

### WEIGHT AND SPACE SAVINGS

- Rectangular shape saves space
- Lightweight composite materials
- No fasteners to mount

### ROBUST DESIGN

- Based on existing ARINC 809/EN4165/ARINC 854
- AS39029/EN3155 contacts

### CONVENIENT

- Color-coded keyed shells
- Scoop-proof interface for blindmating

### SECURE

- Cable tie “locks out” the mating button

### FLUIDS

- Synthetic hydraulic fluid
- Mineral lubricant
- Synthetic lubricant
- Cleaning products
- De-icing fluid
- Extinguishing fluid
- Solvent for cleaning purposes

### APPLICATIONS

- Cabin lighting
- Oxygen mask systems
- Galley systems
- Seat actuation systems
- Industrial
- Unmanned vehicles
- Commercial and military helicopters
- Medical
- Automotive



## Versatile and Compact

369 series connectors from TE Connectivity (TE) are high-reliability, harsh environment, small form factor connectors suited to aerospace applications that are 40% smaller, 80% lighter and lower cost than comparable solutions. These connectors have been designed to meet today's tightening industry regulations and Electrical Wiring Interconnect Systems (EWIS) best practices. Based on EN4165/ARINC 809 connectors, the lightweight, compact 369 series connectors, available in 3, 6, and 9 positions standard, are suited for a variety of applications.

## Easy to Use

Installation and maintenance of cabling is simple, quick, and reliable with a range of individually color-coded keying options. Each mated half of the connector can be configured with either male or female contacts, doubling the keying configurations available and electrically protecting contacts on the powered-side of a system.

The connectors' rectangular shape and integral ribs permits space-efficient stacking, while cable ties allow versatile mounting without the need for additional lock-out fasteners. The scoop-proof interface is particularly suitable for blind-mating or low visibility conditions. A button-latching mechanism secures the mated connectors with an audible click to confirm a complete connection.

## Sealed and Safe

The connectors are fully sealed for use in areas with high levels of moisture. High-performance composite materials help meet the low smoke, toxicity and flammability requirements of the aerospace industry.

# In-Line Standard

## MECHANICAL CHARACTERISTICS

- **Operating Temperature:** -55°C to +175°C
- **Fluid Resistance:** EN2591-315
- **IP Rating:** IP67
- **Altitude/Humidity:** RTCA DO-160
- **Vibration:** EN2591-403, Method B, Level E, 8 hr/axis
- **Shock:** EN2591-402, Method A, Severity 100
- **Smoke and Toxicity:** FAR 25.853, Appendix F; ABD0031
- **Flammability:** FAR 25.853 Appendix F; EN2591-317
- **Durability:** 500 Mating Cycles

### Keying Color Codes



## MATERIALS

- **Body and Insert:** Composite thermoplastic
- **Contacts:** Copper alloy, gold plated
- **Seals and Panel Gasket:** Fluorosilicone rubber
- Designed to meet the requirements of RoHS

## ELECTRICAL CHARACTERISTICS

- **Dielectric Withstanding Voltage:** 1500 V<sub>rms</sub> mated, <2 mA leakage
- **Operating Current:** 5 A
- **Insulation Resistance:** ≥5000 MΩ initial
- **Operating Voltage:** 400vac 500vdc

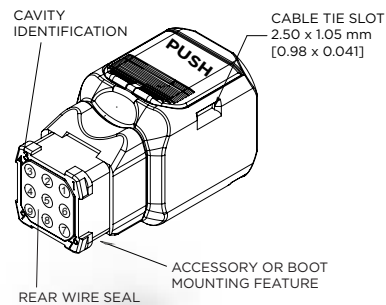
### Instruction Documents

Panel: 408-32194

PCB Panel: 408-163008

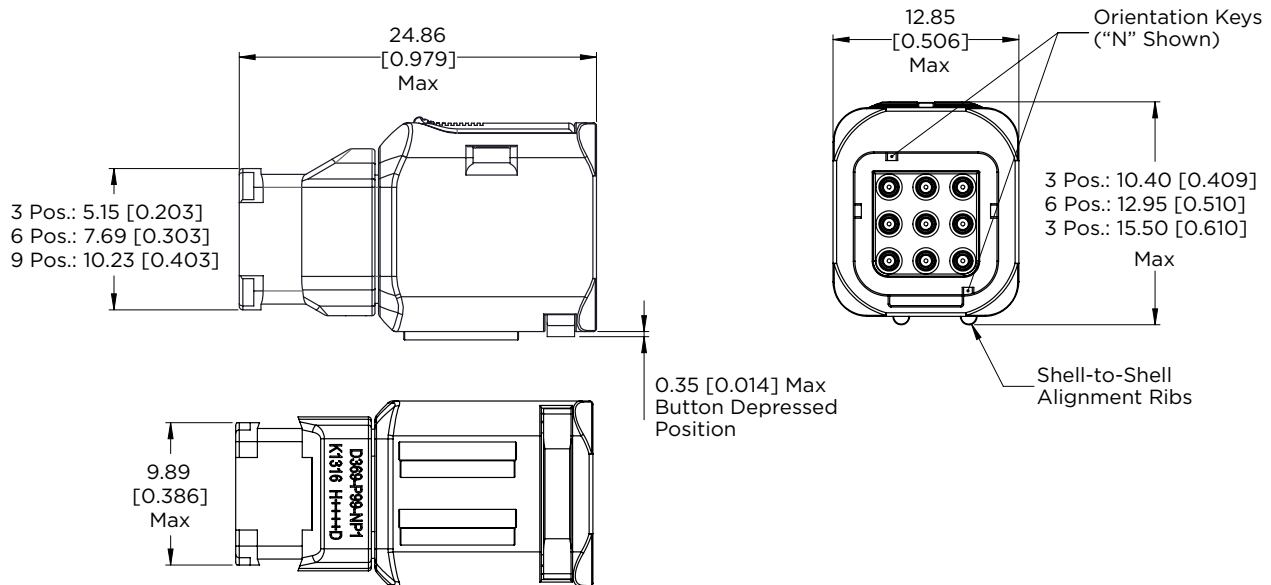
PCB In-Line: 408-163009

Instruction Sheet: 408-32252



# In-Line Standard

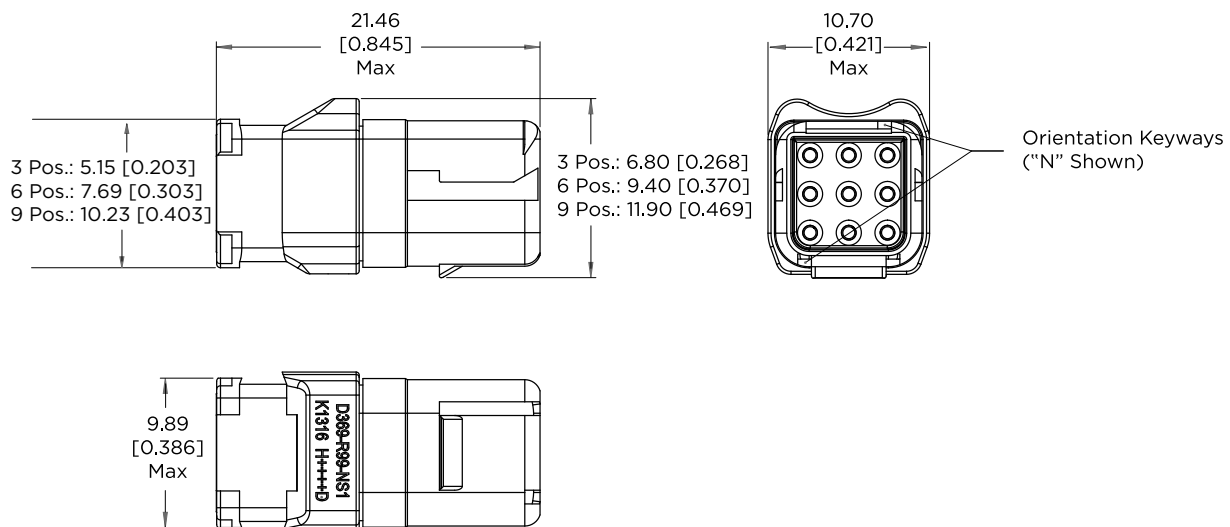
## Plug Connector (Standard and Harsh)



| Shell Size | Mass*            |
|------------|------------------|
| 3          | 1.9 g [0.067 oz] |
| 6          | 2.4 g [0.085 oz] |
| 9          | 3.0 g [0.105 oz] |

\*Mass based on plug less male contact configuration  
 Mass for 1 male contact = 0.073 g [0.0026]  
 Recommended cable-tie: 2.5 mm [0.10"]

## Receptacle



| Shell Size | Mass*            |
|------------|------------------|
| 3          | 1.0 g [0.035 oz] |
| 6          | 1.5 g [0.053 oz] |
| 9          | 2.0 g [0.070 oz] |

\*Mass based on receptacle less female contact configuration  
 Mass for 1 female contact = 0.112 g [0.004 oz]

For part numbers, please see page 22.

# In-Line Harsh

## MECHANICAL CHARACTERISTICS

- **Operating Temperature:** -55°C to +175°C
- **Fluid Resistance:** EN2591-315
- **IP Rating:** IP67
- **Altitude:** EN2591-314: 12.1kPa (1.75 psi) @ 15 km (50,000 ft)
- **Humidity:** EN2591-321 / EIA-364-31 Method IV
- **Vibration:** EN2591-403, Method B, Level E, 8 hr/axis
- **Shock:** EN2591-402, Method A, Severity 100
- **Smoke and Toxicity:** FAR 25.853, Appendix F; ABD0031
- **Flammability:** FAR 25.853 Appendix F; EN2591-317
- **Durability:** 500 Mating Cycles

## Keying Color Codes



## MATERIALS

- **Body and Insert:** Composite thermoplastic
- **Contacts:** Copper alloy, gold plated
- **Seals and Panel Gasket:** Fluorosilicone rubber
- Designed to meet the requirements of RoHS

## ELECTRICAL CHARACTERISTICS

- **Dielectric Withstanding Voltage:** 1500 V<sub>rms</sub> mated, <2 mA leakage
- **Operating Current:** 5 A
- **Insulation Resistance:** ≥5000 MΩ initial

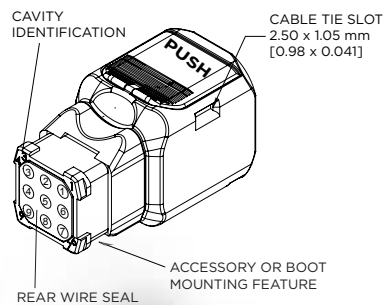
### Instruction Documents

Panel: 408-32194

PCB Panel: 408-163008

PCB In-Line: 408-163009

Instruction Sheet: 408-32252



For part numbers, please see page 22.

# Panel-Mount Connectors

High-reliability, lightweight, compact connectors

## EASY TO INSTALL

- Integrated panel latches for mtg.
- No fasteners required
- Simple push-in mounting
- One panel hole only

## VERSATILE

- Toolless removal for maintenance and repair
- Anti-rattle gasket and sealed gasket available

## SPACE SAVING

- Compact design
- Tight mounting pitch of multiple connectors
- No additional space required for fasteners

## WEIGHT SAVING

- Composite shells
- No additional fasteners required

## RUGGED

- Low smoke, toxicity and flammability
- Excellent temperature, vibration and fluid resistance
- Triple barrier wire seals
- Cork-in-bottle interface seal

## CONVENIENT

- Compatible with existing 369 series connectors
- Uses standard 369 wire strain-relief backshell
- Uses AS39029 Size 22 contacts

## RELIABLE

- Positive button latching mechanism with audible click
- Scoop proof to minimize contact damage and allow blindmating

## APPLICATIONS

- Cabin lighting and galley
- Seat wiring and actuation
- Passenger service units
- In-flight entertainment
- Electronic window shutters
- Ethernet up to 2.5 Gbs



## Fast, Easy Tool-less Panel Mounting

369 series panel-mount connectors from TE Connectivity (TE), an extension to the existing 369 series product line, allow easy, fast mounting to an LRU (line-replaceable unit) panel, bracket, chassis, or frame. The integrated panel latches simply clip into a rectangular cut-out and require no additional fasteners or fixings. The latches also allow later removal from the panel. The connectors feature an anti-rattle panel gasket.

The connectors' rectangular shape permits space-efficient stacking, and remain fully compatible with standard 369 series connectors.

A button-latching mechanism secures the mated connectors.

## Sealed and Safe

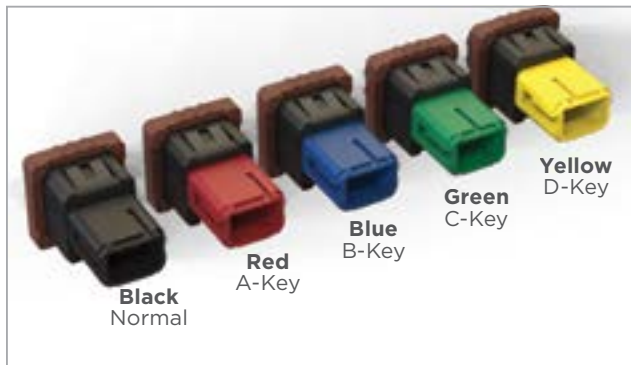
The electrical interfaces are fully sealed using cork-in-bottle and triple wire seal technology for use in areas with high levels of moisture. High-performance composite materials help meet the low smoke, toxicity and flammability requirements of the aerospace industry.

# Panel-Mount Connectors

## MECHANICAL CHARACTERISTICS

- **Operating Temperature:** -55°C to +175°C
- **Fluid Resistance:** EN2591-315
- **IP Rating:** IP65; **Sealed Version:** IP67
- **Altitude/Humidity:** RTCA DO-160
- **Vibration:** EN2591-403, Method B, Level E, 8 hr/axis
- **Shock:** EN2591-402, Method A, Severity 100
- **Smoke and Toxicity:** FAR 25.853, Appendix F; ABD0031
- **Flammability:** FAR 25.853 Appendix F; EN2591-317
- **Durability:** 500 Mating Cycles

### Keying Color Codes



## MATERIALS

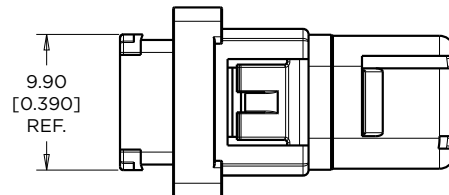
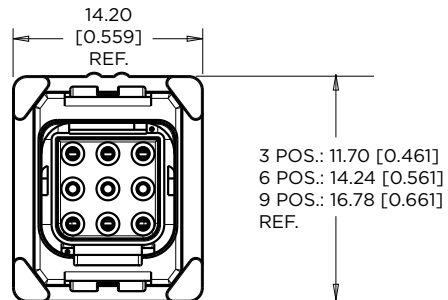
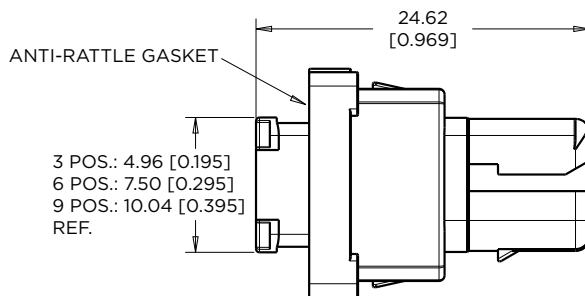
- **Body and Insert:** Composite thermoplastic
- **Contacts:** Copper alloy, gold plated
- **Seals and Panel Gasket:** Fluorosilicone rubber
- Designed to meet the requirements of RoHS

## ELECTRICAL CHARACTERISTICS

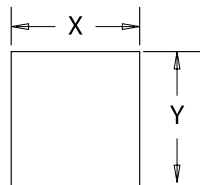
- **Dielectric Withstanding Voltage:** 1500 V<sub>rms</sub> mated, <2 mA leakage
- **Operating Current:** 5 A
- **Insulation Resistance:** ≥5000 MΩ initial
- **Operating Voltage:** 400vac 500vdc

### Instruction Documents

Panel: 408-32194  
PCB Panel: 408-163008  
PCB In-Line: 408-163009  
Instruction Sheet: 408-32252

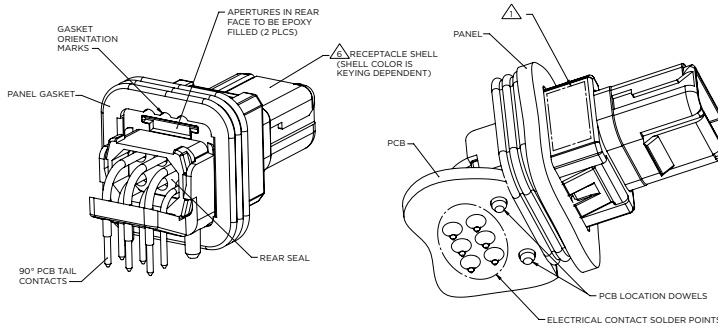
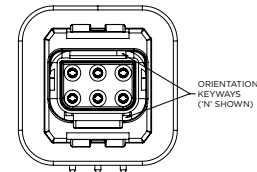
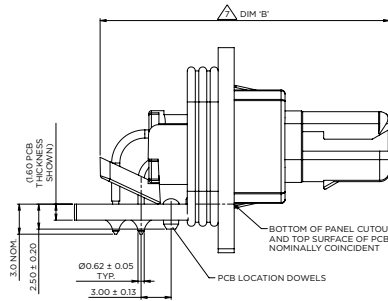
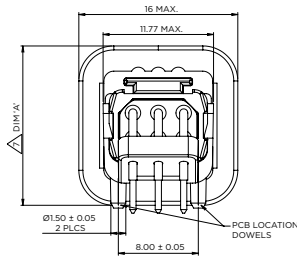
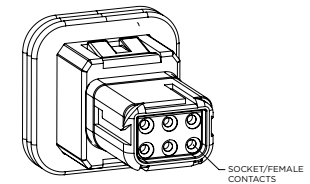
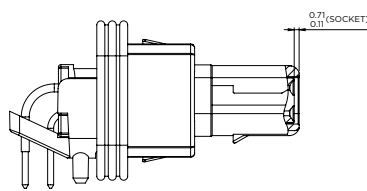
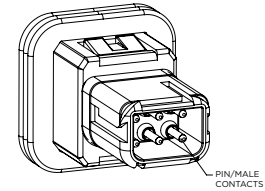
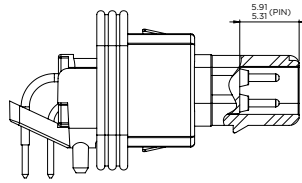
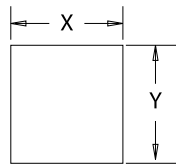


| Recommended Panel Cutout |                    |                    |
|--------------------------|--------------------|--------------------|
| Connector Size           | X<br>±0.08 (0.003) | Y<br>±0.03 (0.001) |
| 3                        |                    | 8.95 (0.352)       |
| 6                        | 10.85 (0.420)      | 11.49 (0.452)      |
| 9                        |                    | 14.03 (0.552)      |



# Sealed Panel-Mount Connectors

| Recommended Panel Cutout |                    |                    |
|--------------------------|--------------------|--------------------|
| Connector Size           | X<br>±0.08 (0.003) | Y<br>±0.03 (0.001) |
| 3                        |                    | 8.95 (0.352)       |
| 6                        | 10.85 (0.420)      | 11.49 (0.452)      |
| 9                        |                    | 14.03 (0.552)      |



**D369 - B 3 3 - N P 4 - 119P**

**BASIC PART NUMBER** \_\_\_\_\_

**SHELL STYLE** \_\_\_\_\_  
**B** Panel Mount\*  
 Receptacle 90°

**SHELL SIZE** \_\_\_\_\_

**CONTACT QUANTITY** \_\_\_\_\_  
 (3 = 3 x #22, 6 = 6 x #22, 9 = 9 x #22)

**MOD CODE (SEALED)** \_\_\_\_\_

**CONTACT CONFIGURATION**  
**0** Without Contacts  
**1** With Crimp Contacts  
**3** With Size 20/22 Contacts  
**4** 90° Gold Plated PCB Tail

**CONTACT TYPE**  
**P** PIN  
**S** SKT

**SHELL KEYING**

For IP67 rating panel thickness of 1.93 to 2.03 is suggested

For part numbers, please see page 22.

# PCB-Mount Connectors

High-reliability, lightweight, compact connectors

## COMPATIBLE

- Fully compatible with 369 connector family
- Choice of in-line or panel-mount versions

## SPACE SAVING

- Compact, high-density connectors
- Small PCB footprint
- Rectangular design enables close mounting pitch with adjacent connectors
- No fasteners required
- Eliminates flying leads for connectivity to board

## EASY TO INSTALL

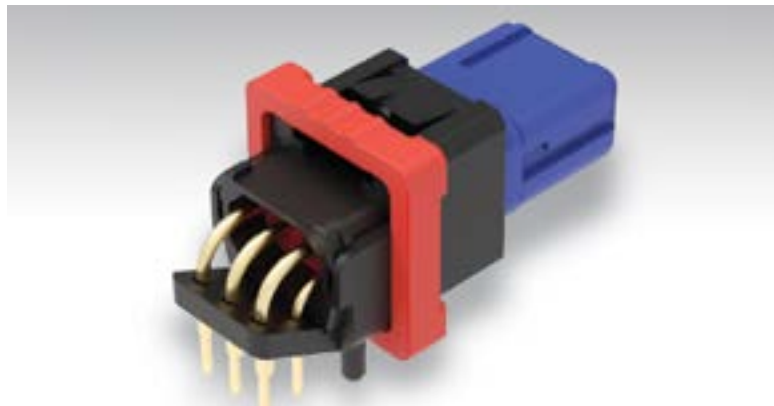
- Mechanically self-retaining during soldering of in-line connectors
- No additional solder fixtures required
- Easy washout for post-soldering cleaning

## RELIABLE

- Mechanical location feature reduces mechanical stress on solder joints

## APPLICATIONS

- Commercial and business aircraft
  - Lighting
  - Seat wiring and actuation
  - Passenger service units
  - On-board entertainment systems
  - Electronic window shutters
  - Galley
- Helicopter lighting
- Military land and aerospace
- Mass transit lighting
- Automotive uses

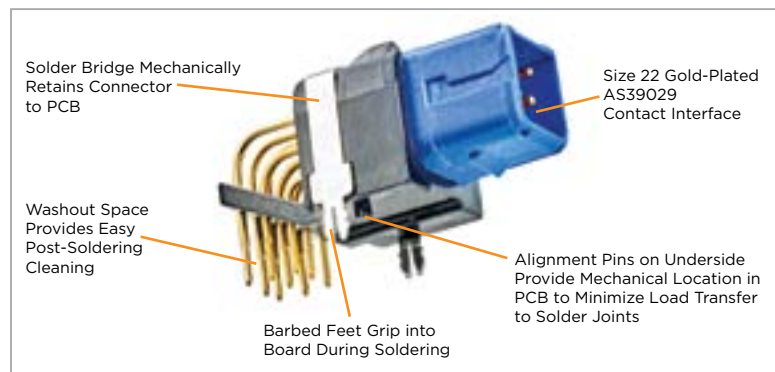


## Reliable, Convenient PCB Application

An extension to the popular 369 connector series product line, the 369 PCB connector mounts to a printed-circuit board (PCB). The PCB connectors are available in an in-line version and a panel-mount version. Fully compatible with existing 369 shielded and harsh connectors.

The PCB connector simply inserts into the board and is then soldered, requiring no additional fasteners or fixings. The end result is an easy and quick-to-mount aerospace-qualified connector with a very compact footprint to help ensure PCB real-estate is maximized.

## Keying Color Codes



# PCB-Mount Connectors

## MECHANICAL CHARACTERISTICS

- **Operating Temperature:** -55°C to +175°C
- **Fluid Resistance:** EN2591-315
- **IP Rating:** IP67
- **Altitude/Humidity:** RTCA DO-160
- **Vibration:** EN2591-403, Method B, Level E, 8 hr/axis
- **Shock:** EN2591-402, Method A, Severity 100
- **Smoke and Toxicity:** FAR 25.853, Appendix F; ABD0031
- **Flammability:** FAR 25.853 Appendix F; EN2591-317
- **Durability:** 500 Mating Cycles

## MATERIALS

- **Body and Insert:** Composite thermoplastic
- **Contacts:** Copper alloy, gold plated

- **Seals and Panel Gasket:** Fluorosilicone rubber
- Designed to meet the requirements of RoHS

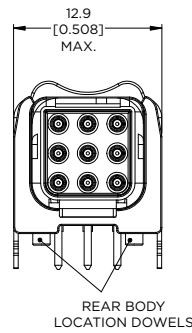
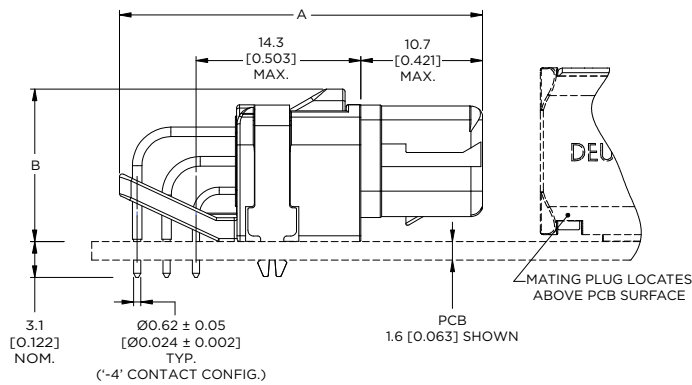
## ELECTRICAL CHARACTERISTICS

- **Dielectric Withstanding Voltage:** 1500 V<sub>rms</sub> mated, <2 mA leakage
- **Operating Current:** 5 A
- **Insulation Resistance:** ≥5000 MΩ initial
- **Operating Voltage:** 400vac 500vdc

### Instruction Documents

Panel: 408-32194  
 PCB Panel: 408-163008  
 PCB In-Line: 408-163009  
 Instruction Sheet: 408-32252

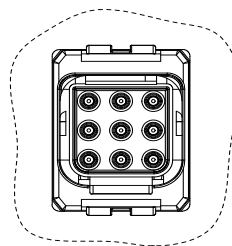
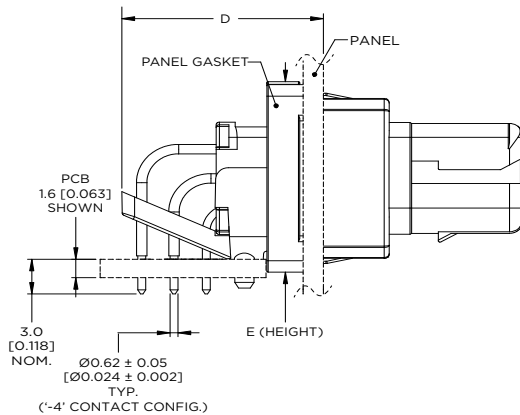
## In-Line PCB Connectors



| No. of Positions | A Max.        | B Max.        |
|------------------|---------------|---------------|
| 3                | 26.6<br>1.047 | 8.4<br>0.331  |
| 6                | 29.1<br>1.146 | 10.9<br>0.429 |
| 9                | 31.6<br>1.244 | 13.4<br>0.528 |

Millimeters Inches

## Panel-Mount PCB Connectors



| No. of Positions | C Max.        | D Max.        | E Max.        |
|------------------|---------------|---------------|---------------|
| 3                | 26.8<br>1.055 | 11.2<br>0.441 | 11.7<br>0.461 |
| 6                | 29.4<br>1.157 | 13.7<br>0.539 | 14.2<br>0.559 |
| 9                | 32.0<br>1.260 | 16.3<br>0.642 | 16.8<br>0.661 |

Millimeters Inches

For part numbers, please see page 22.

# Shielded Rectangular Connectors

## EASY TO INSTALL

- No fasteners
- Push/pull mate

## VERSATILE

- Compatible with existing 369 connector series
- Easily removed for maintenance
- Meets ARINC 854 ethernet over single twisted pair (1000Base-T1)

## SPACE SAVING

- Compact design
- Tight mounting pitch of multiple connectors

## WEIGHT SAVINGS

- Composite nickel plated shells
- No additional fasteners required

## RUGGED

- Triple barrier wire seals
- Cork-in-bottle interface seal
- Performance up to 60K feet
- Uses AS39029 size 22 AWG contacts
- Durable unibody construction

## RELIABLE

- Designed to MIL-DTL-38999 levels of performance
- EWIS compliant
- Positive blind-mate with audible latching click
- Scoop proof
- Defined under ARINC800P2

## ENVIRONMENTALLY FRIENDLY

- Low smoke, toxicity and flammability
- REACH/RoHS



## Description

TE Connectivity (TE)'s 369 shielded connector brings an enhanced product extension to the current 369 connector family where ambient EMI noise protection is required.

### Backward Compatible

- Intermateable with current 369 product offerings.

### Proven Shielding Effectiveness

- >60 DB at low frequencies
- >40 db at high frequencies
- Can withstand indirect lightning strike of 3.6ka

### Lightweight and RoHS Compliant

- Composite nickel-plated shells

### High Speed Capability

- Enables data transmission of 100Mbps (1000 Base-T1)
- Up to 75% weight savings with single pair ethernet (SPE)
- Up to 10Gbs standard ethernet

## Markets/Applications Served

### Markets

- Commercial Aerospace
- Helicopter
- Drones and UAVs
- Military Ground Vehicles
- Mass Transit

### Applications

- Lighting
- On-Board Entertainment
- Seat Wiring and Actuators
- Galley
- Soldier Systems

# Shielded Rectangular Connectors

## Performance Characteristics

### ELECTRICAL

- **Dielectric Withstanding Voltage:** 1500 V<sub>rms</sub> mated, <2 mA leakage
- **Operating Current:** 5 A to 7.5 A
- **Insulation Resistance:** ≥5000 MΩ initial
- **EMI Shielding Effectiveness:**

|               |               |
|---------------|---------------|
| 65dB @ 150MHz | 55dB @ 400MHz |
| 60dB @ 200MHz | 45dB @ 800MHz |
| 55dB @ 300MHz | 43dB @ 1GHz   |
- Lightning strike
- 3.6kA per EIA-364, Test procedure 75, Type B, Level 1

### MECHANICAL

- **Operating Temperature:** -55°C to +175°C
- **Fluid Resistance:** EN2591-315
- **IP Rating:** IP67
- **Altitude/Humidity:** EN2591-314 7.24kPa/60k ft
- **Vibration:** EN2591-403, Method B, Level E, 8 hr/axis
- **Shock:** EN2591-402, Method A, Severity 100
- **Smoke and Toxicity:** FAR 25.853, Appendix F; ABD0031
- **Flammability:** FAR 25.853, Appendix F; EN2591-317

### MATERIALS

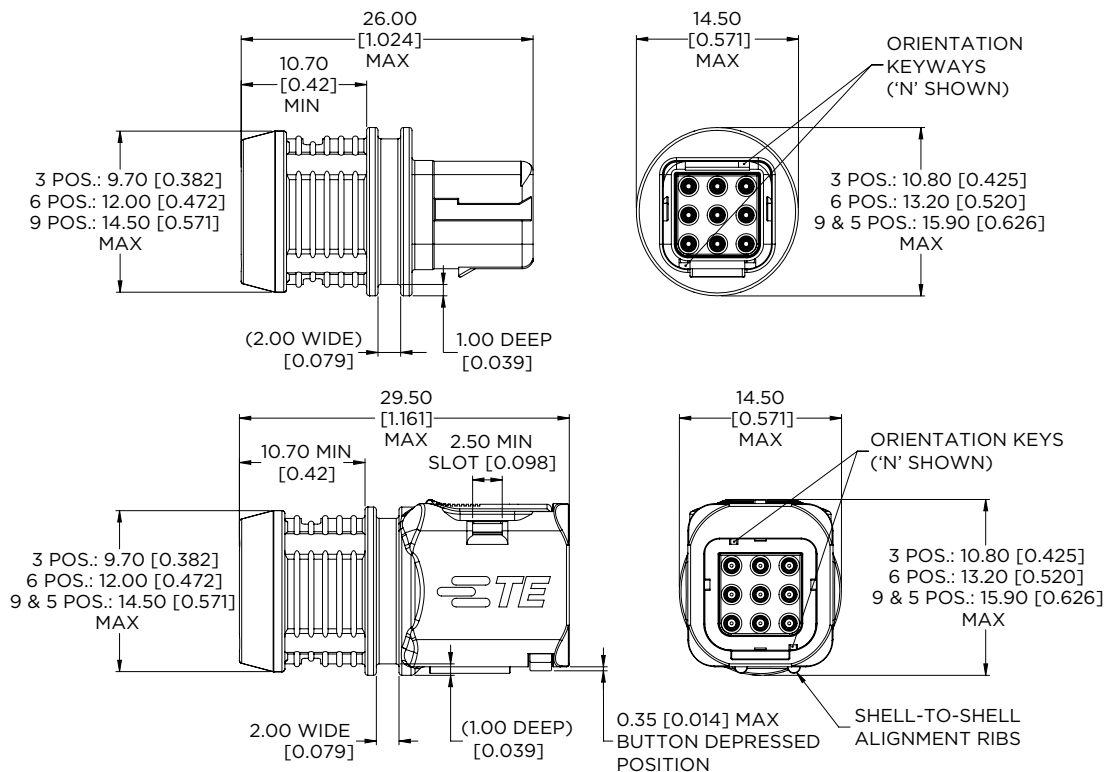
- **Body and Insert:** Composite thermoplastic
- **Contacts:** Copper alloy, gold plated
- **Seals and Panel Gasket:** Fluorosilicone rubber
- Designed to meet the requirements of RoHS
- **Plating:** RoHS nickel over copper

### ADDITIONAL KEY REQUIREMENTS

- **Recommended TE molded boot (size 9) P/N:** EP5130-000
- **Recommended TE molded boot (size 3 & 6) P/N:** EP5126-000
- **Recommended TE bandstrap P/N:** BND-0812S

| Plug       |                   |                   |
|------------|-------------------|-------------------|
| Shell Size | Mass              |                   |
|            | Pin Insert        | Socket Insert     |
| 3          | 3.40 g [0.120 oz] | 3.50 g [0.124 oz] |
| 6          | 3.90 g [0.138 oz] | 4.10 g [0.145 oz] |
| 9          | 4.50 g [0.159 oz] | 4.70 g [0.166 oz] |

| Receptacle |                   |                   |
|------------|-------------------|-------------------|
| Shell Size | Mass              |                   |
|            | Pin Insert        | Socket Insert     |
| 3          | 2.50 g [0.089 oz] | 2.50 g [0.089 oz] |
| 6          | 2.90 g [0.103 oz] | 2.80 g [0.099 oz] |
| 9          | 3.50 g [0.124 oz] | 3.40 g [0.120 oz] |



For part numbers, please see page 22.

# Shielded PCB/Panel-Mount Connectors



Shielded Panel



Shielded Panel PCB



Shielded PCB

## EASY TO INSTALL

- No fasteners
- Simple push/pull mating

## VERSATILE

- Compatible with existing 369 connector series
- Easily removed for maintenance
- Meets ARINC 854 ethernet over single twisted pair (100Base-T1)
- MIL-DTL-38999 levels of performance

## SPACE SAVING

- Compact design
- Tight mounting pitch of multiple connectors
- No additional space required for fasteners

## WEIGHT SAVING

- Composite nickel plated shells
- No additional fasteners required

## RUGGED

- Low smoke, toxicity and flammability
- Excellent temperature, vibration and fluid resistance
- Triple barrier wire seals
- Cork-in-bottle interface seal

## CONVENIENT

- Standard braid termination and boots
- Uses AS39029 size 22 contacts
- Straight and tin dipped contact options available
- Conductive gasket
- Lockout with simple zip tie

## ENVIRONMENTALLY FRIENDLY

- Low smoke, toxicity and flammability

## RELIABLE

- Positive button latching mechanism with audible click
- 100% scoop proof and allows blindmating

## Description

TE Connectivity (TE)'s new 369 shielded pcb connector brings an enhanced product extension to the current 369 connector family where ambient EMI noise protection is required.

## Markets/Applications Served

### Markets

- Commercial Aerospace
- Helicopter
- Drones and UAVs
- Military Ground Vehicles
- Mass Transit

### Applications

- Lighting
- On-Board Entertainment
- Seat Wiring and Actuators
- Galley

## Performance Characteristics

### ELECTRICAL

- **Dielectric Withstanding Voltage:** 1500 V<sub>rms</sub> mated, <2 mA leakage
- **Operating Current:** 5 A
- **Insulation Resistance:** ≥5000 MΩ initial
- **EMI Shielding Effectiveness:**

|               |               |
|---------------|---------------|
| 65dB @ 150MHz | 55dB @ 400MHz |
| 60dB @ 200MHz | 45dB @ 800MHz |
| 55dB @ 300MHz | 43dB @ 1GHz   |
- Lightning strike
- 3.6kA per EIA-364, Test procedure 75, Type B, Level 1

### MECHANICAL

- **Operating Temperature:** -55°C to +175°C
- **Fluid Resistance:** EN2591-315
- **IP Rating:** IP67
- **Vibration:** EN2591-403, Method B, Level E, 8 hr/axis
- **Shock:** EN2591-402, Method A, Severity 100
- **Smoke and Toxicity:** FAR 25.853, Appendix F; ABD0031
- **Flammability:** FAR 25.853, Appendix F; EN2591-317

# Shielded PCB/Panel-Mount Connectors

## MATERIALS

- **Body and Insert:** Thermoplastic
- **Contacts:** Copper alloy /gold plated
- **Seals and Panel Gasket:** Silicone/fluorosilicone
- Designed to meet the requirements of RoHS
- **Plating:** Electroless nickel plating

## ADDITIONAL KEY REQUIREMENTS

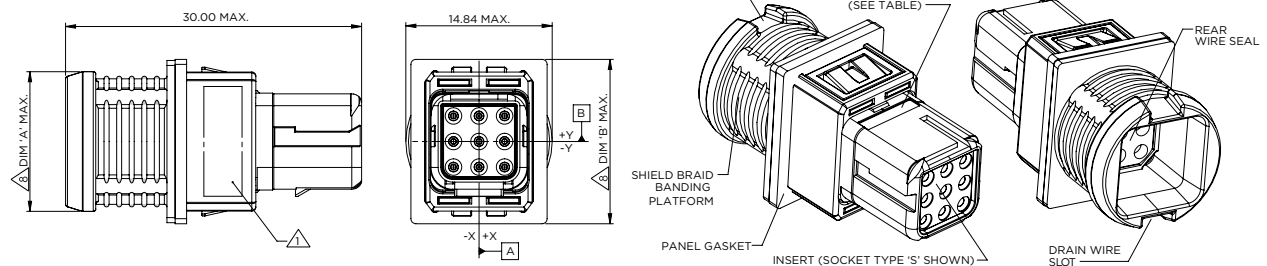
- **Recommended TE Ziptie Boot (Size 9) P/N:** EP5130-000
- **Recommended TE Ziptie Boot (Size 3 and 6) P/N:** EP5126-000
- **Recommended TE Bandstrap P/N:** BND-0812S

## Product Offering: Shielded Panel Receptacle

| Part Number        | Mating Part Number | Description                              |
|--------------------|--------------------|--|
| YD369-MB33-NS10000 | YD369-MP33-NP10000 | 369 SHIELDED 3 WAY PANEL REC, CRIMP, SKT |
| YD369-MB66-NS10000 | YD369-MP66-NP10000 | 369 SHIELDED 6 WAY PANEL REC, CRIMP, SKT |
| YD369-MB99-NS10000 | YD369-MP99-NP10000 | 369 SHIELDED 9 WAY PANEL REC, CRIMP, SKT |

## Dimensions

| Part Number   | Dimension 'A' | Dimension 'B' |
|---------------|---------------|---------------|
| D369-MB33-*** | 9.33          | 11.34         |
| D369-MB66-*** | 11.75         | 13.88         |
| D369-MB99-*** | 14.18         | 16.42         |

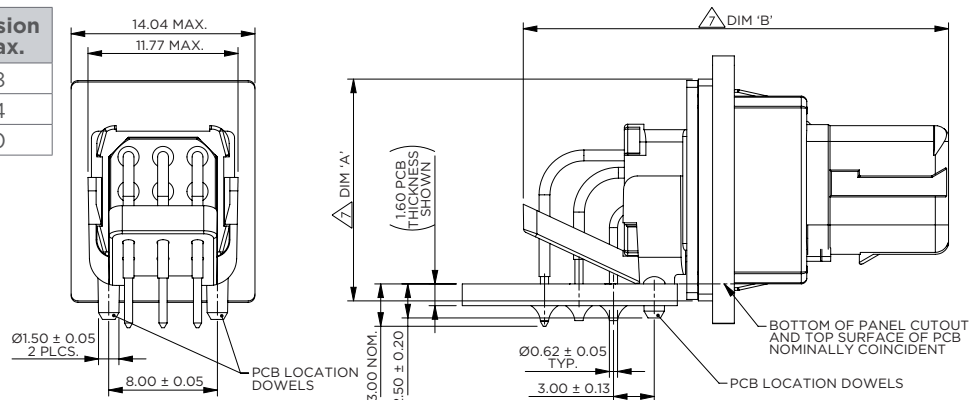


## Product Offering: Shielded Panel PCB Receptacle

| Part Number        | Mating Part Number | Description                                |
|--------------------|--------------------|--|
| YD369-MB33-NS40000 | YD369-MP33-NP10000 | 369 SHIELDED 3 WAY PNL REC, 90 PCB AU, SKT |
| YD369-MB66-NS40000 | YD369-MP66-NP10000 | 369 SHIELDED 6 WAY PNL REC, 90 PCB AU, SKT |
| YD369-MB99-NS40000 | YD369-MP99-NP10000 | 369 SHIELDED 9 WAY PNL REC, 90 PCB AU, SKT |

## Dimensions

| Shell Size | Dimension 'A' Max. | Dimension 'B' Max. |
|------------|--------------------|--------------------|
| 3          | 9.23               | 26.8               |
| 6          | 11.77              | 29.4               |
| 9          | 14.31              | 32.0               |



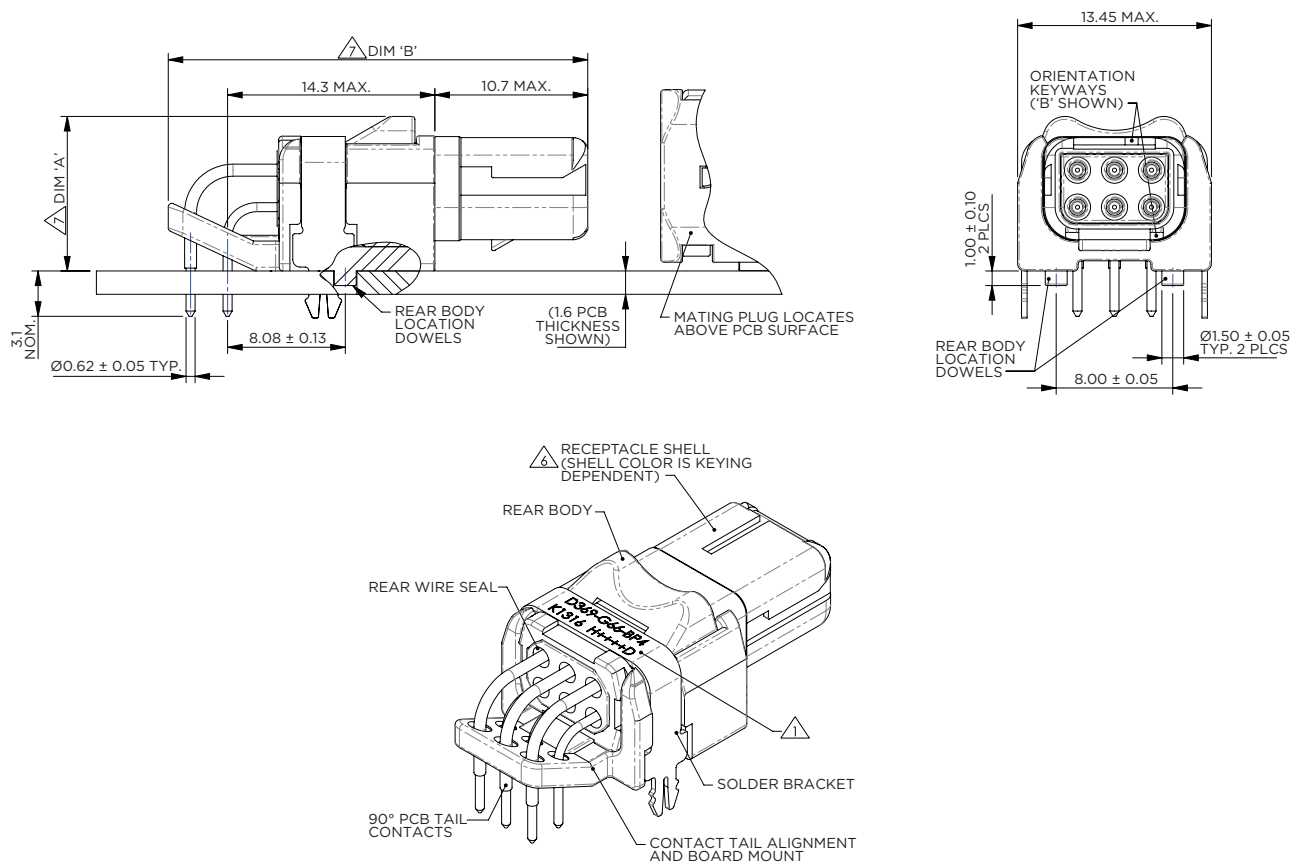
# Shielded PCB/Panel-Mount Connectors

## Product Offering: Shielded PCB Receptacle

| Part Number        | Mating Part Number | Description                                |
|--------------------|--------------------|--|
| YD369-MG33-NS40000 | YD369-MP33-NP10000 | 369 SHIELDED 3 WAY PCB REC, 90 PCB AU, SKT |
| YD369-MG66-NS40000 | YD369-MP66-NP10000 | 369 SHIELDED 6 WAY PCB REC, 90 PCB AU, SKT |
| YD369-MG99-NS40000 | YD369-MP99-NP10000 | 369 SHIELDED 9 WAY PCB REC, 90 PCB AU, SKT |

## Dimensions

| Shell Size | Dimension 'A' Max. | Dimension 'B' Max. |
|------------|--------------------|--------------------|
| 3          | 8.4                | 26.6               |
| 6          | 10.9               | 29.1               |
| 9          | 13.4               | 31.6               |



# Shielded PCB/Panel-Mount Connectors

## Single Pair Ethernet Cable



| TE Description | TE Part Number | Temperature Range (°C) | Jacket OD (in/mm), Nom. | ARINC 854 Connector Compatibility | Molded Boot Compatibility |
|----------------|----------------|------------------------|-------------------------|-----------------------------------|---------------------------|
| 0024B8424-9    | EP3169-000     | -65°C to +150°C        | 0.161 (4.089)           | MP33-NP10000                      | 202D971-4/86-0            |
| 0026G8424-9    | EP3166-000     | -65°C to +150°C        | 0.135 (3.429)           | MP33-NP10000                      | 202D971-4/86-0            |

Additional constructions and custom designs available upon request - please contact your local account representative for questions

**Recommended TE Bandstrap Part Number:** BND-0812S

## Complete System Solutions



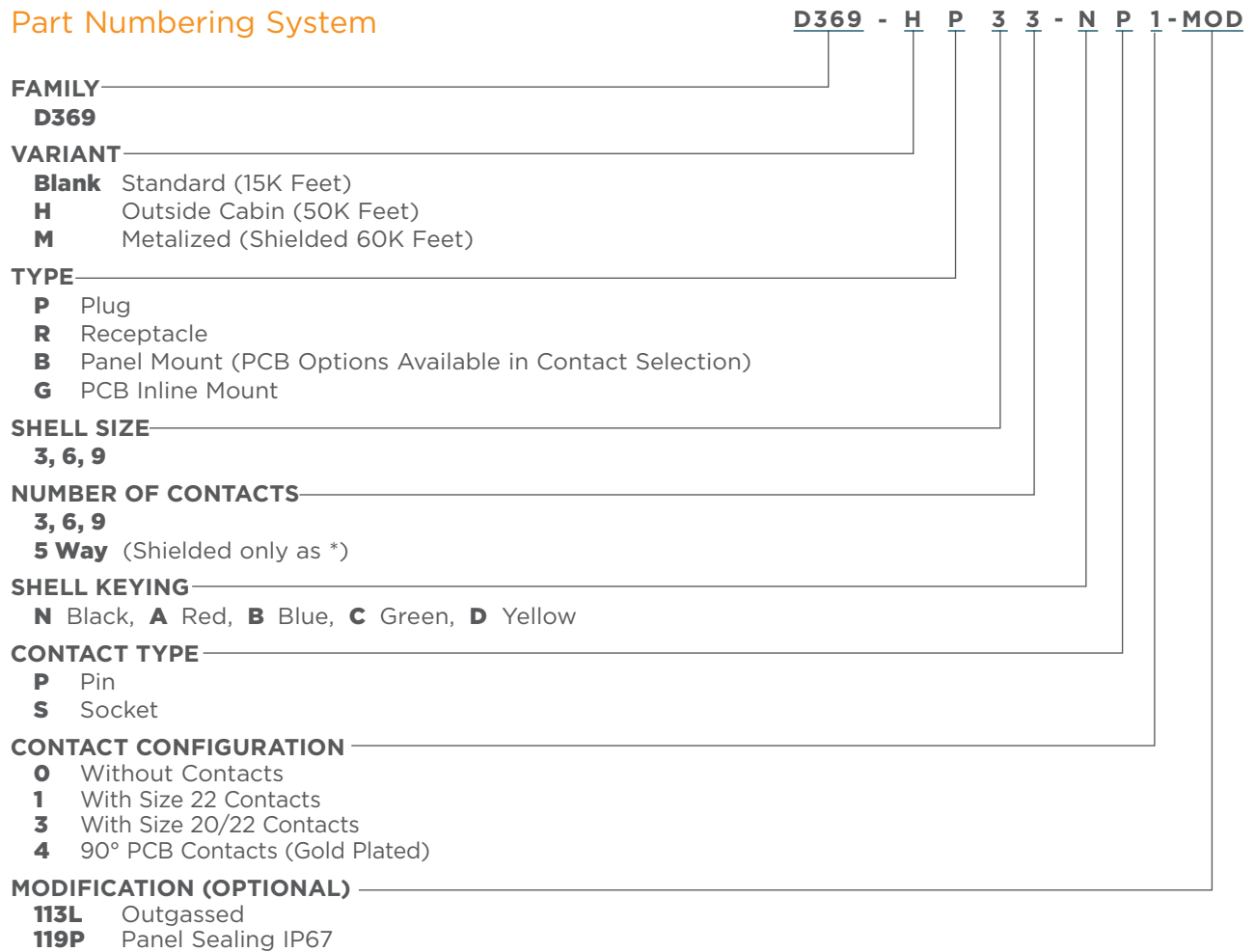
### Molded Parts

- Molded part shape designed specifically for use with 369 connector and single-pair ethernet cable
- Flexible polyolefin (-4) material provides strain relief, environmental sealing, and abrasion resistance
- High temperature adhesive (/86) for bonding with cable jacket or heat shrink tubing
- Low profile design and 2:1 heat shrink ratio for ease of installation

| Series               | TE Part Number |            |
|----------------------|----------------|------------|
| Size 9 Ziptie Boot   | 202D972-4/86-0 | EP5130-000 |
| Size 6/3 Ziptie Boot | 202D971-4/86-0 | EP5126-000 |

# 369 Series Connectors

## Part Numbering System




\*When selecting a mated pair, ensure a plug to receptacle and pin to socket selection are both made

\*All panel and PCB products are receptacle configuration

# 369 Series Connectors

## Accessories

### Crimp Contacts



| Contact Size                | Wire Range  | Type   | TE          | Mil-Spec/EN Spec | BACC     | Sealing Plug |
|-----------------------------|-------------|--------|-------------|------------------|----------|--------------|
| 22                          | 26 - 22 AWG | Pin    | 38941-22L   | M39029/58-360    | BACC47GC | 028-0102-22  |
|                             |             | Socket | 38946-22L   | M39029/57-354    |          |              |
| 20/22 Enlarged Crimp Barrel | 24 - 20 AWG | Pin    | 182-0860-22 | EN3155-070M2220  |          |              |
|                             |             | Socket | 182-0862-22 | EN3155-071F2220  |          |              |

50 micro inches of gold over a layer of nickel over these copper alloy contacts (material)

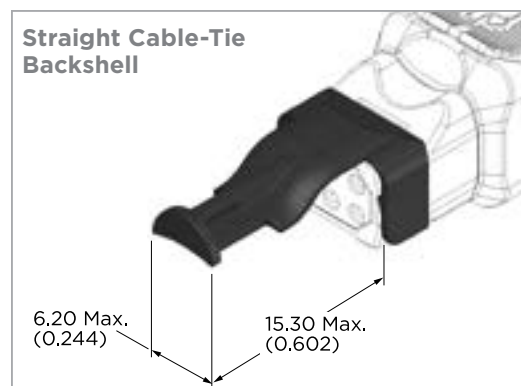
### Tooling



| Insertion/Extraction Tool<br>M81969/14-01 | Crimp Tool<br>M22520/2-01<br>TE Part No. 601966-1 | Crimp Positioners                                  |   |
|---|---|--|---|
|   |   | Pin Contact<br>M22520/2-09<br>TE Part No. 601966-6 | Socket Contact<br>M22520/2-06<br>TE Part No. 601966-4 |

### Cavity Identification

(Plug or Receptacle. Viewed from Rear of Connector)



| Shell Size | Strain Relief/Backshell |
|------------|-------------------------|
| 3          | D369-STB-3              |
| 6          | D369-STB-6              |
| 9          | D369-STB-9              |



### Tooling

Connector panel-extraction tool: **Part No. 612184-369**

## 369 Series Connectors

---



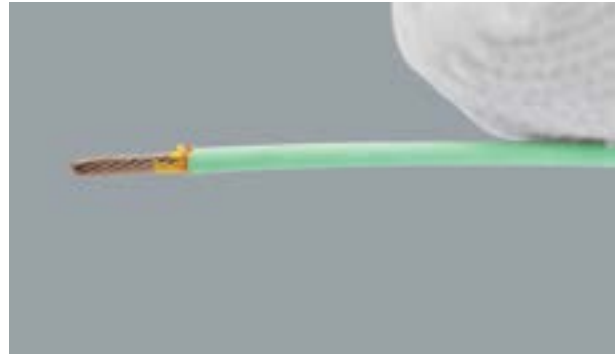
369 Connectors Can Be Easily Secured with Cable Ties, Eliminating the Need for Additional Hardware or Cutouts

# 369 Series Connectors

## Contact Crimping



Use a crimping tool with the appropriate pilot stop.



Strip the insulation from the copper wire, with 5 mm maximum strip length. (For aluminum wire, consult TE.)



Insert the contact into the crimping tool.



Insert the wire into the contact.



Tighten the crimping tool fully. The handles will not release until the tool is fully bottomed.



Remove and inspect the completed termination. The contact must have 8 markings, and the wire must be seen in the contact side hole.

For the use of a shielded version, do not forget to slide the cables in the chimney before crimping the contacts.

# 369 Series Connectors

## Common Part Numbers

| No. of Positions               | Housing Type | Insert | Part No.      |                  | BACC Equivalent |
|--------------------------------|--------------|--------|---------------|------------------|-----------------|
|                                |              |        | With Contacts | Without Contacts |                 |
| <b>STANDARD (Inside Cabin)</b> |              |        |               |                  |                 |
| 3                              | Plug         | Pin    | D369-P33-NP1  | D369-P33-NP0     | —               |
|                                |              | Socket | D369-P33-NS1  | D369-P33-NS0     | —               |
|                                | Receptacle   | Pin    | D369-R33-NP1  | D369-R33-NP0     | —               |
|                                |              | Socket | D369-R33-NS1  | D369-R33-NS0     | —               |
| 6                              | Plug         | Pin    | D369-P66-NP1  | D369-P66-NP0     | —               |
|                                |              | Socket | D369-P66-NS1  | D369-P66-NS0     | —               |
|                                | Receptacle   | Pin    | D369-R66-NP1  | D369-R66-NP0     | —               |
|                                |              | Socket | D369-R66-NS1  | D369-R66-NS0     | —               |
| 9                              | Plug         | Pin    | D369-P99-NP1  | D369-P99-NP0     | —               |
|                                |              | Socket | D369-P99-NS1  | D369-P99-NS0     | —               |
|                                | Receptacle   | Pin    | D369-R99-NP1  | D369-R99-NP0     | —               |
|                                |              | Socket | D369-R99-NS1  | D369-R99-NS0     | —               |

| HARSH (Outside Cabin) |            |        | With Contacts | Without Contacts | BACC Equivalent |
|-----------------------|------------|--------|---------------|------------------|-----------------|
| 3                     | Plug       | Pin    | D369-HP33-NP1 | D369-HP33-NP0    | BACC65 CP 1PN   |
|                       |            | Socket | D369-HP33-NS1 | D369-HP33-NS0    | BACC65 CP 1SN   |
|                       | Receptacle | Pin    | D369-HR33-NP1 | D369-HR33-NP0    | BACC65 CR 1PN   |
|                       |            | Socket | D369-HR33-NS1 | D369-HR33-NS0    | BACC65 CR 1SN   |
| 6                     | Plug       | Pin    | D369-HP66-NP1 | D369-HP66-NP0    | BACC65 CP 2PN   |
|                       |            | Socket | D369-HP66-NS1 | D369-HP66-NS0    | BACC65 CP 2SN   |
|                       | Receptacle | Pin    | D369-HR66-NP1 | D369-HR66-NP0    | BACC65 CR 2PN   |
|                       |            | Socket | D369-HR66-NS1 | D369-HR66-NS0    | BACC65 CR 2SN   |
| 9                     | Plug       | Pin    | D369-HP99-NP1 | D369-HP99-NP0    | BACC65 CP 3PN   |
|                       |            | Socket | D369-HP99-NS1 | D369-HP99-NS0    | BACC65 CP 3SN   |
|                       | Receptacle | Pin    | D369-HR99-NP1 | D369-HR99-NP0    | BACC65 CR 3PN   |
|                       |            | Socket | D369-HR99-NS1 | D369-HR99-NS0    | BACC65 CR 3SN   |

| PANEL-MOUNT |            |        | With Contacts | Crimp Contacts | 90° PCB Contacts |
|-------------|------------|--------|---------------|----------------|------------------|
| 3           | Receptacle | Pin    | D369-B33-NP0  | D369-B33-NP1   | D369-B33-NP4     |
|             |            | Socket | D369-B33-NS0  | D369-B33-NS1   | D369-B33-NS4     |
| 6           | Receptacle | Pin    | D369-B66-NP0  | D369-B66-NP1   | D369-B66-NP4     |
|             |            | Socket | D369-B66-NS0  | D369-B66-NS1   | D369-B55-NS4     |
| 9           | Receptacle | Pin    | D369-B99-NP0  | D369-B99-NP1   | D369-B99-NP4     |
|             |            | Socket | D369-B99-NS0  | D369-B99-NS1   | D369-B99-NS4     |

## 369 Series Connectors

### Common Part Numbers (continued)

| TE Part Number            | Catalog Part Number | Description            | Mating Part Number |
|---------------------------|---------------------|------------------------|--------------------|
| <b>SEALED PANEL-MOUNT</b> |                     |                        |                    |
| YD369-B33-NS1-119P        | D369-B33-NS1-119P   | 3 Way Sealed Panel     | D369-P33-NP1       |
| YD369-B66-NS1-119P        | D369-B66-NS1-119P   | 6 Way Sealed Panel     | D369-P66-NP1       |
| YD369-B99-NS1-119P        | D369-B99-NS1-119P   | 9 Way Sealed Panel     | D369-P99-NP1       |
| YD369-B33-NS4-119P        | D369-B33-NS4-119P   | 3 Way Sealed Panel PCB | D369-P33-NP1       |
| YD369-B66-NS4-119P        | D369-B66-NS4-119P   | 6 Way Sealed Panel PCB | D369-P66-NP1       |
| YD369-B99-NS4-119P        | D369-B99-NS4-119P   | 9 Way Sealed Panel PCB | D369-P99-NP1       |

| No. of Positions | Housing Type | Insert | With Contacts           |
|------------------|--------------|--------|-------------------------|
| <b>PCB-MOUNT</b> |              |        |                         |
|                  |              |        | <b>90° PCB Contacts</b> |
| 3                | Receptacle   | Pin    | D369-G33-NP4            |
|                  |              | Socket | D369-G33-NS4            |
| 6                | Receptacle   | Pin    | D369-G66-NP4            |
|                  |              | Socket | D369-G66-NS4            |
| 9                | Receptacle   | Pin    | D369-G99-NP4            |
|                  |              | Socket | D369-G99-NS4            |

| No. of Positions            | Housing Type | Insert | With Contacts | No Contacts   |
|-----------------------------|--------------|--------|---------------|---------------|
| <b>SHIELDED RECTANGULAR</b> |              |        |               |               |
| 3                           | Plug         | Pin    | D369-MP33-NP1 | D369-MP33-NP0 |
|                             |              | Socket | D369-MP33-NS1 | D369-MP33-NS0 |
|                             | Receptacle   | Pin    | D369-MR33-NP1 | D369-MR33-NP0 |
|                             |              | Socket | D369-MR33-NS1 | D369-MR33-NS0 |
| 6                           | Plug         | Pin    | D369-MP66-NP1 | D369-MP66-NP0 |
|                             |              | Socket | D369-MP66-NS1 | D369-MP66-NS0 |
|                             | Receptacle   | Pin    | D369-MR66-NP1 | D369-MR66-NP0 |
|                             |              | Socket | D369-MR66-NS1 | D369-MR66-NS0 |
| 9                           | Plug         | Pin    | D369-MP99-NP1 | D369-MP99-NP0 |
|                             |              | Socket | D369-MP99-NS1 | D369-MP99-NS0 |
|                             | Receptacle   | Pin    | D369-MR99-NP1 | D369-MR99-NP0 |
|                             |              | Socket | D369-MR99-NS1 | D369-MR99-NS0 |

Empower Engineers to Solve Problems, Moving the World Forward.

AMP | AGASTAT | CII | DEUTSCH | DRI | HARTMAN | KILOVAC  
MICRODOT | NANONICS | POLAMCO | Raychem | SEACON

## CONNECT WITH US

We make it easy to connect with our experts and are ready to provide all the support you need. Visit [te.com/support](https://te.com/support) to chat with a Product Information Specialist.

## QUALITY STARTS WITH THE RIGHT APPLICATION TOOLING

Creating a quality crimp connection is essential to delivering high performance and reliability in extreme environments. From low to high volume wire processing, TE has you covered with a full range of application tooling and a global field service team.

- [View all application tooling](#)
- [Connect with our experts to find the right tool for your application](#)

### [te.com/369](https://te.com/369)

369, AMP, AGASTAT, CII, DEUTSCH, DRI, HARTMAN, KILOVAC, MICRODOT, NANONICS, POLAMCO, Raychem, SEACON, TE, TE Connectivity, and TE connectivity (logo) are trademarks owned or licensed by TE Connectivity. All other logos, products and/or company names referred to herein might be trademarks of their respective owners.

The information given herein, including drawings, illustrations and schematics which are intended for illustration purposes only, is believed to be reliable. However, TE Connectivity makes no warranties as to its accuracy or completeness and disclaims any liability in connection with its use. TE Connectivity's obligations shall only be as set forth in TE Connectivity's Standard Terms and Conditions of Sale for this product and in no case will TE Connectivity be liable for any incidental, indirect or consequential damages arising out of the sale, resale, use or misuse of the product. Users of TE Connectivity products should make their own evaluation to determine the suitability of each such product for the specific application.

© 2022 TE Connectivity All Rights Reserved.

1-1773704-7 11/22

### 369 SERIES CONNECTORS

TE Connectivity  
Aerospace, Defense & Marine  
2900 Fulling Mill Road  
Middletown, PA 17057