

REVISIONS					
P	LTR	DESCRIPTION	DATE	DWN	APVD
A		GTP PER ECN-25-338513	17AUG2025	ED	WZ

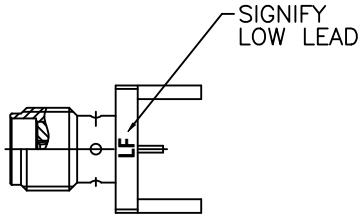
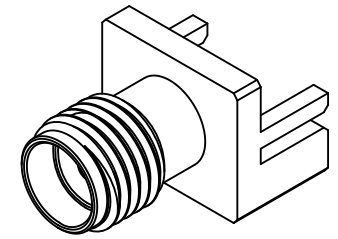
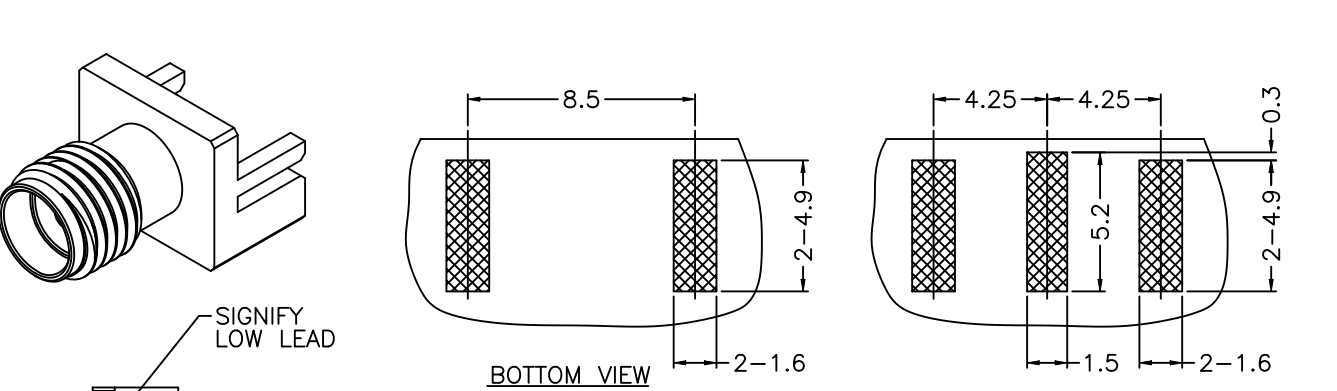
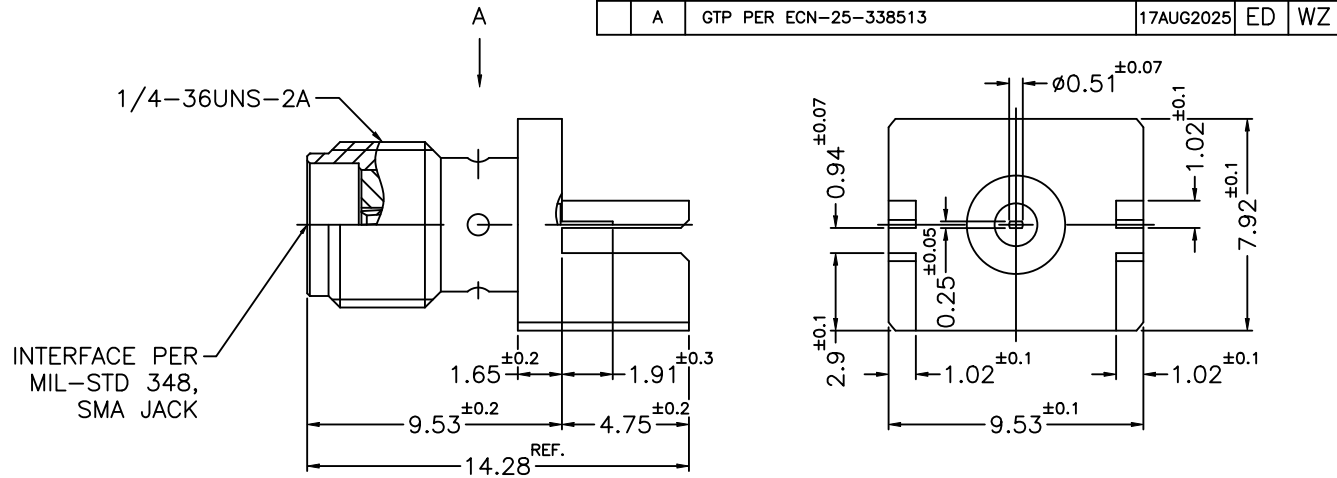
MATERIALS AND PLATING		UNIT: MICRO-INCHES
PART NAME	MATERIAL	PLATING
BODY	LOW LEAD BRASS	GOLD 3u"/NICKEL 50u"/COPPER 50u"
CONTACT PIN	LOW LEAD BeCu	GOLD 3u"/NICKEL 50u"/COPPER 50u"
INSULATOR	PTFE ASTM-D-1710	NATURAL

ELECTRICAL CHARACTERISTICS	
IMPEDANCE	50 Ω
VOLTAGE RATING	335 V(rms)
FREQUENCY RANGE	DC~18 GHz
DIELECTRIC WITHSTANDING VOLTAGE	>1000 V
CONTACT RESISTANCE	CENTER CONTACT <3.0 mΩ
	OUTER CONTACT <2.0 mΩ
INSULATION RESISTANCE	>5000 MΩ
INSERTION LOSS	0.25dB MAX
VSWR	<1.25
3RD INTERMODULATION	N/A

MECHANICAL CHARACTERISTICS	
DURABILITY	> 500 cycles

ENVIRONMENTAL PARAMETER	
TEMPERATURE RANGE	-65 °C~+165 °C
WATERPROOF	/
THERMAL SHOCK	MIL- STD 202, Meth. 107,Cond. B
VIBRATION	MIL- STD 202, Meth. 204,Cond. D
SHOCK	MIL- STD 202, Meth. 213,Cond. I
CORROSION	MIL- STD 202, Meth. 101,Cond. B



A VIEW (2/1)

LOW LEAD VERSION, RoHS (Pb < 100ppm), REACH	2508902-1
MARK	PART NUMBER

**NOTES:**  
 1 TRAY PACKAGING AND DETAIL PACKAGING SPEC IS IN PAGE 2;  
 2 ALL DIMENSIONS ARE NOMINAL FOR REFERENCE ONLY UNLESS OTHERWISE STATED.

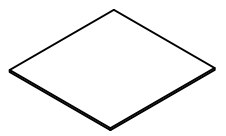
THIS DRAWING IS A CONTROLLED DOCUMENT.		DWN	ED	30JUN2025	TE Connectivity Ltd.	
		CHK	TP	30JUN2025		
		APVD	WH	30JUN2025		
		PRODUCT SPEC				
		APPLICATION SPEC			NAME	SMA Jack Edge Mount .031inch PCB Lead Free
		SIZE	CAGE CODE	DRAWING NO	RESTRICTED TO	-
		WEIGHT	0	A300779	C=2508902	-
		CUSTOMER DRAWING			SCALE	1:1
					SHEET	1 of 2
					REV	A

DIMENSIONS:	TOLERANCES UNLESS OTHERWISE SPECIFIED:
mm	
0 PLC	± 0.3
1 PLC	± 0.3
2 PLC	± 0.2
3 PLC	± 0.1
4 PLC	± -
ANGLES	± 5°
MATERIAL	FINISH
-	-

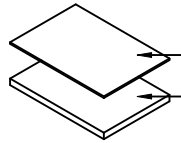
# TRAY PACKAGING

UNLESS OTHERWISE SPECIFIED  
TOLERANCES

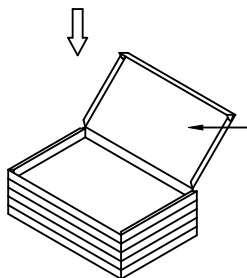
0.5-6	= ±0.2
6-30	= ±0.4
30-120	= ±0.6
120-315	= ±1
315-1000	= ±1.6
1000-2000	= ±2.4



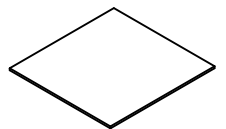
← Place a cardboard on the top of the carton.



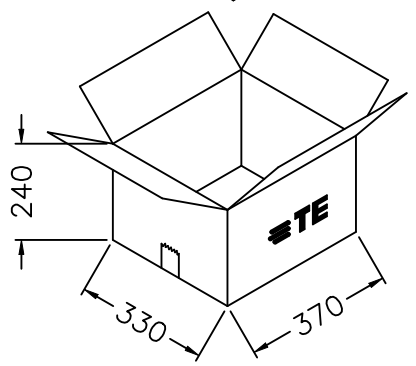
← Pack a Bristol Board on top of the tray.  
← Pack 100 pcs per tray.



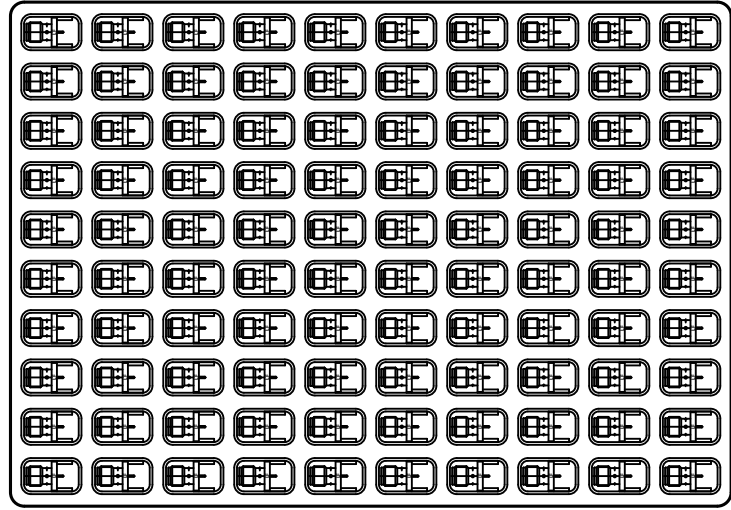
← There is 1 tray per inner box, total of 5 inner boxes.



← Place a cardboard on the bottom of the carton.



REVISIONS					
P	LTR	DESCRIPTION	DATE	DWN	APVD
-	-	SEE SHEET 1	-	-	-



NOTE: 1. 100 pcs / Tray, 1 tray / 1 inner box  
2. 5 inner box / carton = 500 pcs / craton

THIS DRAWING IS A CONTROLLED DOCUMENT.		DWN ED	30JUN2025	<b>STE</b> TE Connectivity Ltd.	
		CHK TP	30JUN2025		
DIMENSIONS: mm		APVD WH	30JUN2025	NAME SMA Jack Edge Mount .031inch PCB Lead Free	
TOLERANCES UNLESS OTHERWISE SPECIFIED:		PRODUCT SPEC		-	
0 PLC ± -		APPLICATION SPEC		-	
1 PLC ± -		WEIGHT		-	
2 PLC ± -		SIZE		A3	
3 PLC ± -		CAGE CODE		00779	
4 PLC ± -		DRAWING NO		C=2508902	
ANGLES ± 5'		RESTRICTED TO		-	
MATERIAL		CUSTOMER DRAWING		SCALE 1:1	
FINISH		SHEET 2 of 2		REV A	