

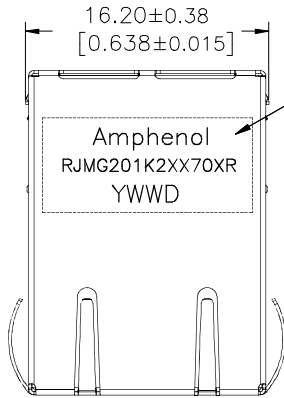
This document is the property of Amphenol Corporation and is delivered on the express condition that it is not to be disclosed, reproduced or used, in whole or in part, for manufacture or sale by anyone other than Amphenol Corporation without its prior consent, and that no right is granted to disclose or to use any information in this document.

The marking on this product doesn't contain environmental hazardous materials per Material Specification SS-00259 for Sony GP compliant or per directive 2011/65/EU for RoHS compliant.

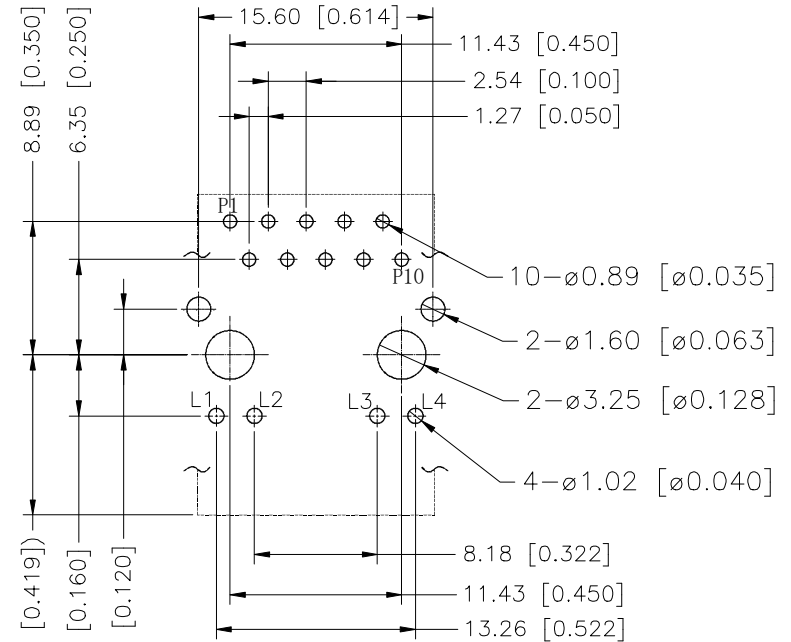
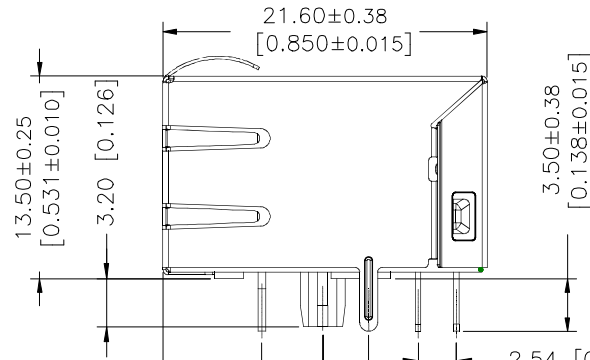
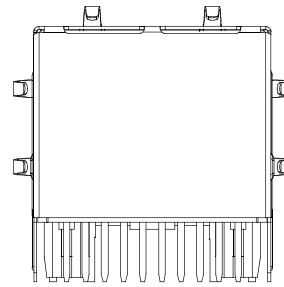
**CUSTOMER DRAWING**

**PRELIMINARY RELEASE  
SUBJECT TO CHANGE**

REVISIONS				
SYM	ECN No.	DESCRIPTION	DATE	APPROVED
AX1		NEW PROPOSAL DRAWING	09/07/2017	Lawrence Chan
AX2		UPDATE DRAWING	08/06/2018	Lawrence Chan
AX3		UPDATE DRAWING	10/25/2018	Lawrence Chan



Printing area  
P/N&D/C:  
Y=YEAR  
WW=WEEK  
D=DAY

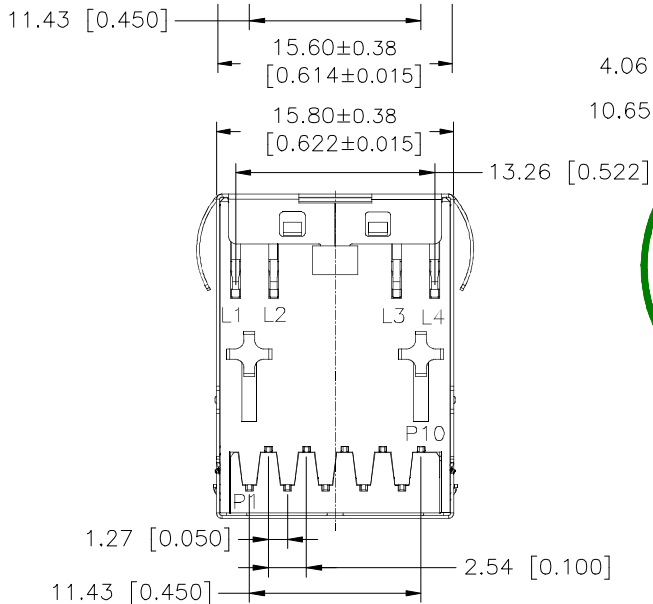


RECOMMENDED PCB LAYOUT  
(COMPONENT SIDE VIEW)

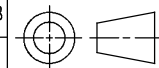
PART NO. RJMG201K2 X X 70 X R

- RIGHT LED CODE  
LEFT LED CODE
- 0: No LED's Blocked Hole
  - 1: Green
  - 2: Yellow
  - 3: Red
  - 4: Bi-color Green/ Yellow
  - 5: Bi-color Red/Green
  - 6: Bi-color Green/Orange
  - 7: Bi-color Red/Yellow
  - N: Amber
  - P: Bi-color Green/Amber

Plating and Packaging Option:  
B: gold 6u", tray  
C: gold flash, tray  
D: gold 15u", tray  
E: gold 30u", tray  
F: gold 50u", tray



TOLERANCE		APPROVALS		DATE	TITLE		Amphenol®						
X.		DRAWN	Arvin Ye	10/25/2018	RJMG20 SERIES 1000BASE-T TAB DOWN SINGLE PORT WITH FILTER & LED OPTION		Amphenol Corporation Amphenol Taiwan Corporation						
X.X	±0.35	CHECKED	Vivian Wen	10/25/2018									
X.XX	±0.25	APPROVED	Lawrence Chan	10/25/2018									
X.XXX	±0.15	DWG TYPE	CUST DWG	PROJECT CODE	RJMG	UNIT	mm	SIZE	A3	PART No.	RJMG201K2XX70XR		
ANGULAR ±1°		UNLESS OTHERWISE SPECIFIED				SCALE	NA	SHEET	1 OF 2	DWG No.	RJMG201K2XX70XR	REV.	AX3



This document is the property of Amphenol Corporation and is delivered on the express condition that it is not to be disclosed, reproduced, used, in whole or in part, for manufacturing or sale by anyone other than Amphenol Corporation without its prior written consent. No right is granted to disclose or to use any information in this document.

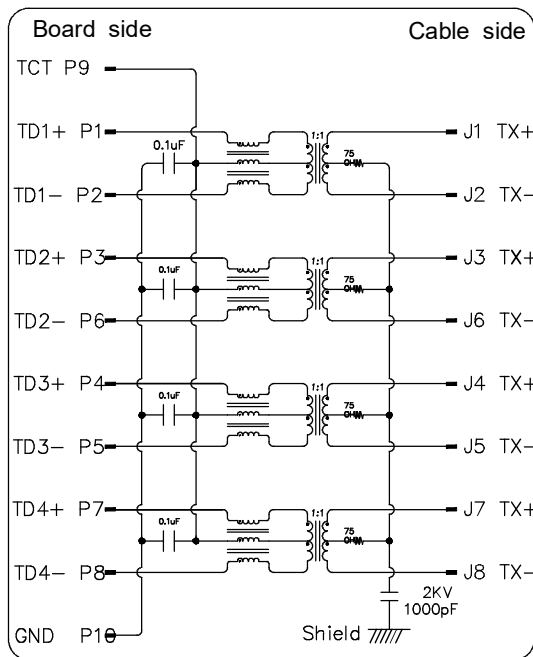
The marking on this product doesn't contain environmental hazardous materials per Material Specification SS-00259 for Solder GP (compliant) per directive 2011/65/EU for RoHS compliant.

PRELIMINARY RELEASE  
SUBJECT TO CHANGE

## CUSTOMER DRAWING

REVISIONS				
SYM	ECN No.	DESCRIPTION	DATE	APPROVED
AX1		NEW PROPOSAL DRAWING	09/07/2017	Lawrence Chan
AX2		UPDATE DRAWING	08/06/2018	Lawrence Chan
AX3		UPDATE DRAWING	10/25/2018	Lawrence Chan

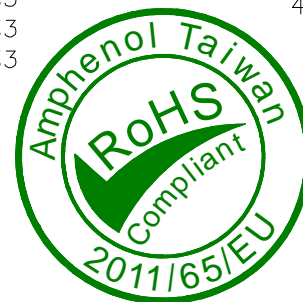
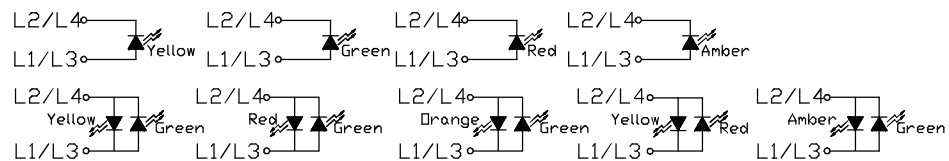
### SCHEMATIC FOR RJ45:



1. INSERTION LOSS :
  - 1~100 MHz -1.0dB MAX.
2. RETURN LOSS(LOAD 100Ω) :
  - 1~30 MHz -18dB MIN
  - 30~60 MHz -16dB MIN
  - 60~80 MHz -12dB MIN
  - 80~100 MHz -10dB MIN
3. COMMON MODE REJECTION
  - 1~100 MHz -30dB MIN
4. CROSS TALK
  - 1~100 MHz -30dB MIN
5. INDUCTANCE @ 100KHz, 0.1V, 8mA DC BIAS
  - (P1-P2),(P3-P6),(P4-P5),(P7-P8) : 350 uH MIN
6. DCR
  - (J1-J2),(J3-J6),(J4-J5),(J7-J8) : 1.2 OHM MAX
7. HI-POT TEST
  - BOARD SIDE TO CABLE SIDE : 1500VAC 60S OR 2250VDC 60S
8. TURNS RATION 100KHz
  - (P1-P2) : (J1-J2) = 1:1 ±%3
  - (P3-P6) : (J3-J6) = 1:1 ±%3
  - (P4-P5) : (J4-J5) = 1:1 ±%3
  - (P7-P8) : (J7-J8) = 1:1 ±%3

1. MATERIAL
  - HOUSING : LCP, UL 94V-0
  - CASE : LCP, UL 94V-0
  - RJ CONTACTS : PHOSPHOR BRONZE,T=0.30MM
  - PLATING : SELECT GOLD ON CONTACT
  - AREA,100U" MIN TIN PLATING ON SOLDER TAILS, 30U"MIN NICKEL OVERALL
  - SOLDER TAIL TERMINAL : BRASS,T=0.35MM
  - PLATING : 100U"MIN TIN , 30U"MIN NICKEL OVERALL
  - SHIELD : STAINLESS,SUS304,T=0.2MM, NICKEL PLATING
2. RJ45 SPECIFICATIONS
  - INSULATION RESISTANCE : 500 MOHMS MIN
  - INSERTION FORCE WITH THE LATCH DEPRESSED :22N MAX
  - REMOVAL FORCE WITH THE LATCH DEPRESSED :44N MAX
  - DURABILITY :750 CYCLES
3. OPERATING AND STORAGE TEMPERATURE
  - OPERATING TEMPERATURE : 0°C TO +70°C
  - STORAGE TEMPERATURE : -40°C TO +85°C
4. TEMPERATURE CONDITION OF WAVE SOLDERING:265±3°C, 10±1s

### LED OPTION & SPECIFICATION



Emitting Color	λp (nm)	Vf @If=20mA	Ir @Vr=5V
Green	565	1.7V~2.6V	10μA max.
Yellow	585	1.7V~2.6V	10μA max.

TOLERANCE		APPROVALS	DATE	TITLE		Amphenol®					
X.		DRAWN Arvin Ye	10/25/2018	RJMG20 SERIES 1000BASE-T TAB DOWN SINGLE PORT WITH FILTER & LED OPTION		Amphenol Corporation Amphenol Taiwan Corporation					
X.X	±0.35										
X.XX	±0.25	CHECKED Vivian Wen	10/25/2018			UNIT	mm	SIZE	A3	PART No.	RJMG201K2XX70XR
X.XXX	±0.15	APPROVED Lawrence Chan	10/25/2018			SCALE	NA	SHEET	2 OF 2	DWG No.	RJMG201K2XX70XR
ANGULAR ±1°		DWG TYPE CUST DWG	PROJECT CODE RJMG								
UNLESS OTHERWISE SPECIFIED											