

# SAC-5P-M12YF/M12FS-M12MS VP - Y distributor



1526253

<https://www.phoenixcontact.com/ae/products/1526253>

Please be informed that the data shown in this PDF document is generated from our online catalog. Please find the complete data in the user documentation. Our general terms of use for downloads are valid.



Y distributor, 5-position, Socket straight M12, coding: A, on Socket straight M12, coding: A and Plug straight M12, coding: A, Parallel distributor

## Commercial data

|                                      |               |
|--------------------------------------|---------------|
| Item number                          | 1526253       |
| Packing unit                         | 5 pc          |
| Minimum order quantity               | 5 pc          |
| Sales key                            | AF1           |
| Product key                          | AF1GAB        |
| GTIN                                 | 4017918954291 |
| Weight per piece (including packing) | 28.84 g       |
| Weight per piece (excluding packing) | 26.25 g       |
| Customs tariff number                | 85366990      |
| Country of origin                    | PL            |

# SAC-5P-M12YF/M12FS-M12MS VP - Y distributor



1526253

<https://www.phoenixcontact.com/ae/products/1526253>

## Technical data

### Product properties

|                      |               |
|----------------------|---------------|
| Product type         | Y-distributor |
| Number of positions  | 5             |
| No. of cable outlets | 2             |
| Shielded             | no            |
| Coding               | A             |
| Thread type          | M12           |

### Insulation characteristics

|                      |    |
|----------------------|----|
| Overvoltage category | II |
| Degree of pollution  | 3  |

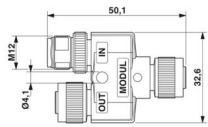
### Electrical properties

|                       |                            |
|-----------------------|----------------------------|
| Insulation resistance | $\geq 100 \text{ M}\Omega$ |
| Nominal voltage $U_N$ | 48 V AC                    |
|                       | 60 V DC                    |
| Nominal current $I_N$ | 4 A                        |

### Signaling

|                        |    |
|------------------------|----|
| Status display         | no |
| Status display present | no |

### Dimensions

|                     |                                                                                      |
|---------------------|--------------------------------------------------------------------------------------|
| Dimensional drawing |  |
| Length              | 50.1 mm                                                                              |
| Center distance     | 18 mm                                                                                |

### Material specifications

|                                        |                                             |
|----------------------------------------|---------------------------------------------|
| Flammability rating according to UL 94 | HB                                          |
| Seal material                          | NBR                                         |
| Material of grip body                  | TPU, hardly inflammable, self-extinguishing |
| Contact material                       | CuZn                                        |
| Contact surface material               | Ni/Au                                       |
| Contact carrier material               | TPU GF                                      |
| Material for screw connection          | Zinc die-cast, nickel-plated                |

### Connector

Connection 1

# SAC-5P-M12YF/M12FS-M12MS VP - Y distributor



1526253

<https://www.phoenixcontact.com/ae/products/1526253>

|             |                     |
|-------------|---------------------|
| Type        | Socket straight M12 |
| Coding type | A                   |

## Connection 2

|             |                     |
|-------------|---------------------|
| Type        | Socket straight M12 |
| Coding type | A                   |

## Connection 3

|             |                   |
|-------------|-------------------|
| Type        | Plug straight M12 |
| Coding type | A                 |

## Mechanical properties

### Mechanical data

|                             |       |
|-----------------------------|-------|
| Insertion/withdrawal cycles | ≥ 100 |
|-----------------------------|-------|

## Environmental and real-life conditions

### Ambient conditions

|                                 |                                  |
|---------------------------------|----------------------------------|
| Degree of protection            | IP65                             |
|                                 | IP67                             |
| Ambient temperature (operation) | -25 °C ... 90 °C (Plug / socket) |

## Standards and regulations

|                          |                 |
|--------------------------|-----------------|
| Standard designation     | M12 connector   |
| Standards/specifications | IEC 61076-2-101 |

# SAC-5P-M12YF/M12FS-M12MS VP - Y distributor



1526253

<https://www.phoenixcontact.com/ae/products/1526253>

## Drawings

Dimensional drawing



Plug M12 x 1, Y distributor

Schematic diagram



Pin assignment M12 male connector, 5-pos., A-coded, male side

# SAC-5P-M12YF/M12FS-M12MS VP - Y distributor

1526253

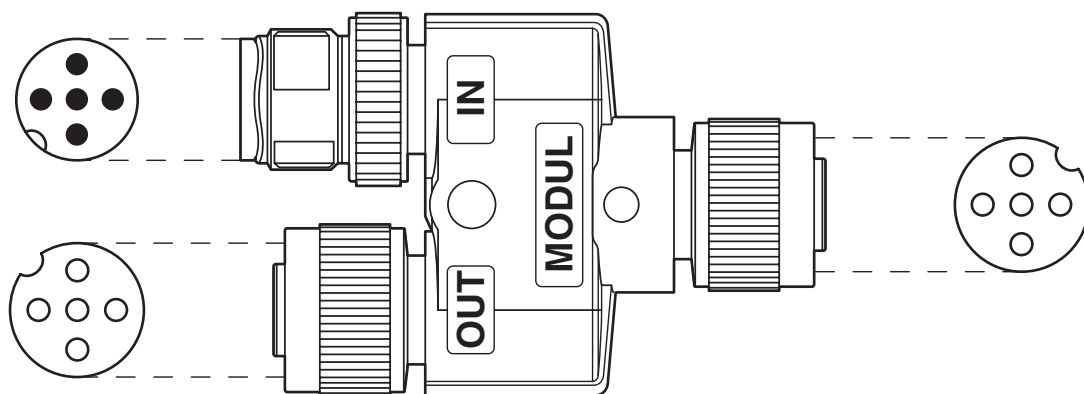
<https://www.phoenixcontact.com/ae/products/1526253>

Schematic diagram



Pin assignment M12 socket, 5-pos., A-coded, socket side view

Schematic diagram

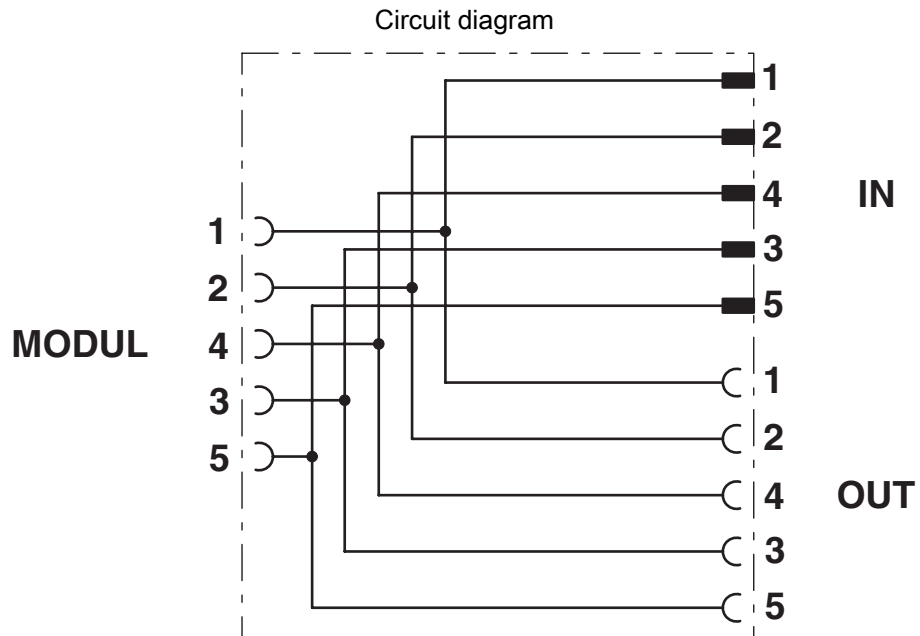


Layout of connector pin assignments

# SAC-5P-M12YF/M12FS-M12MS VP - Y distributor

1526253

<https://www.phoenixcontact.com/ae/products/1526253>



Contact assignment of the M12 Y distributor

# SAC-5P-M12YF/M12FS-M12MS VP - Y distributor





1526253

<https://www.phoenixcontact.com/ae/products/1526253>

## Approvals

To download certificates, visit the product detail page: <https://www.phoenixcontact.com/ae/products/1526253>

|  <b>UL Listed</b><br>Approval ID: E221474 |                       |                       |                   |                             |
|----------------------------------------------------------------------------------------------------------------------------|-----------------------|-----------------------|-------------------|-----------------------------|
|                                                                                                                            | Nominal voltage $U_N$ | Nominal current $I_N$ | Cross section AWG | Cross section $\text{mm}^2$ |
| keine                                                                                                                      |                       |                       |                   |                             |
|                                                                                                                            | 30 V                  | 4 A                   | -                 | -                           |

|  <b>cUL Listed</b><br>Approval ID: E221474 |                       |                       |                   |                             |
|-----------------------------------------------------------------------------------------------------------------------------|-----------------------|-----------------------|-------------------|-----------------------------|
|                                                                                                                             | Nominal voltage $U_N$ | Nominal current $I_N$ | Cross section AWG | Cross section $\text{mm}^2$ |
| keine                                                                                                                       |                       |                       |                   |                             |
|                                                                                                                             | 30 V                  | 4 A                   | -                 | -                           |

# SAC-5P-M12YF/M12FS-M12MS VP - Y distributor



1526253

<https://www.phoenixcontact.com/ae/products/1526253>

## Classifications

### ECLASS

|             |          |
|-------------|----------|
| ECLASS-13.0 | 27440106 |
| ECLASS-15.0 | 27440106 |

### ETIM

|          |          |
|----------|----------|
| ETIM 9.0 | EC002925 |
|----------|----------|

### UNSPSC

|             |          |
|-------------|----------|
| UNSPSC 21.0 | 31251500 |
|-------------|----------|

1526253

<https://www.phoenixcontact.com/ae/products/1526253>

## Environmental product compliance

### EU RoHS

|                                         |                    |
|-----------------------------------------|--------------------|
| Fulfills EU RoHS substance requirements | Yes, No exemptions |
|-----------------------------------------|--------------------|

### China RoHS

|                                        |                                          |
|----------------------------------------|------------------------------------------|
| Environment friendly use period (EFUP) | EFUP-E                                   |
|                                        | No hazardous substances above the limits |

### EU REACH SVHC

|                                     |                            |
|-------------------------------------|----------------------------|
| REACH candidate substance (CAS No.) | No substance above 0.1 wt% |
|-------------------------------------|----------------------------|

### EF3.0 Climate Change

|         |               |
|---------|---------------|
| CO2e kg | 1.046 kg CO2e |
|---------|---------------|

Phoenix Contact 2025 © - all rights reserved  
<https://www.phoenixcontact.com>

PHOENIX CONTACT Middle East FZ LLC  
1201N-1206N, Dubai Science Park Towers – North  
P.O. Box 345002, Dubai, United Arab Emirates  
(+971) 4 437-0324  
[info-me@phoenixcontact.com](mailto:info-me@phoenixcontact.com)