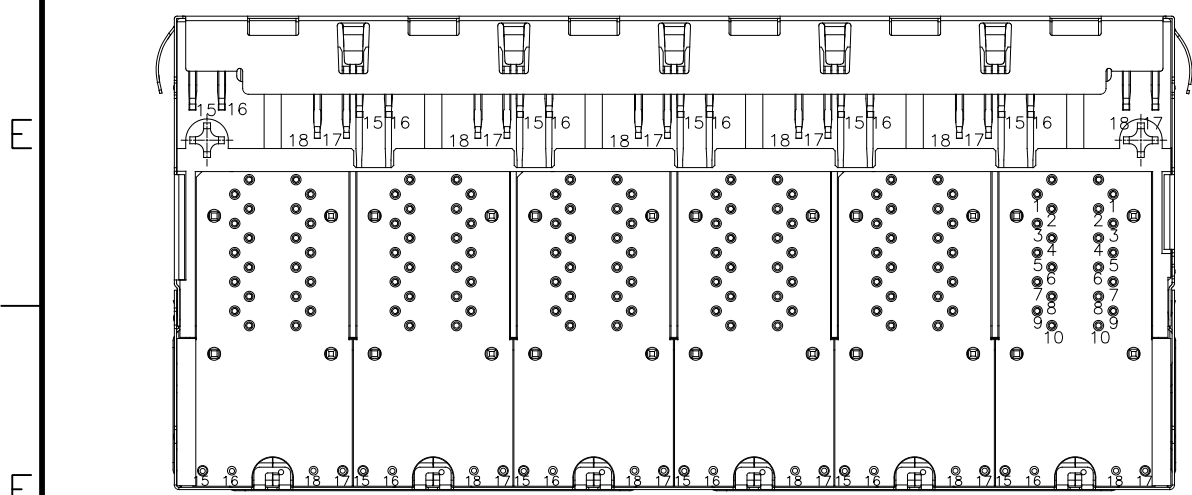
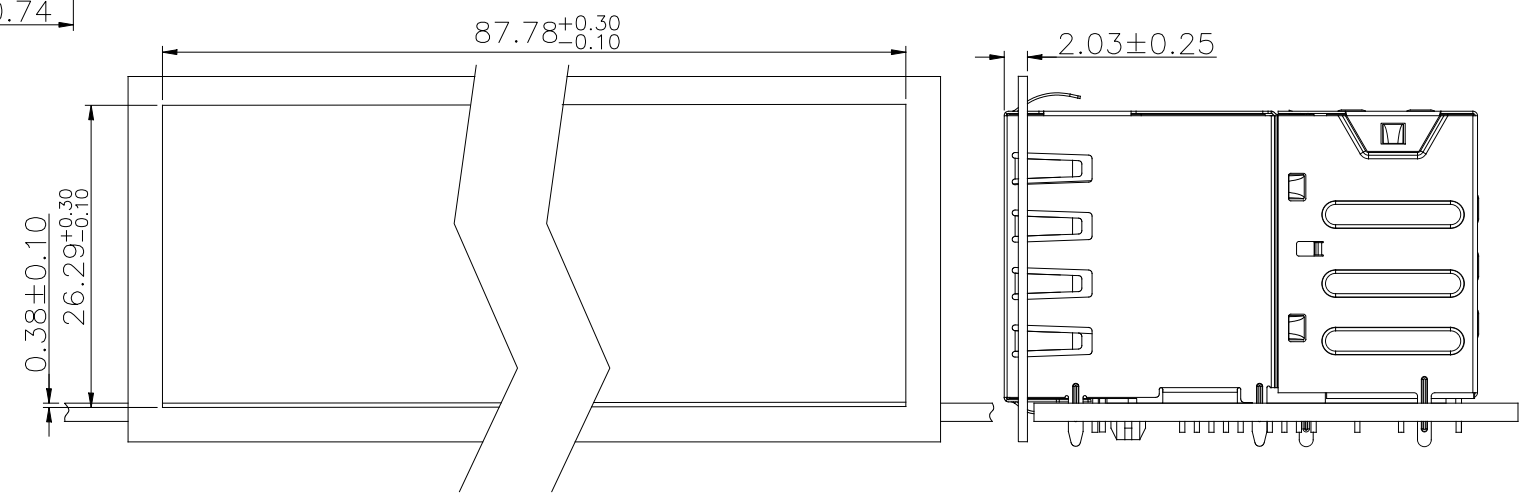
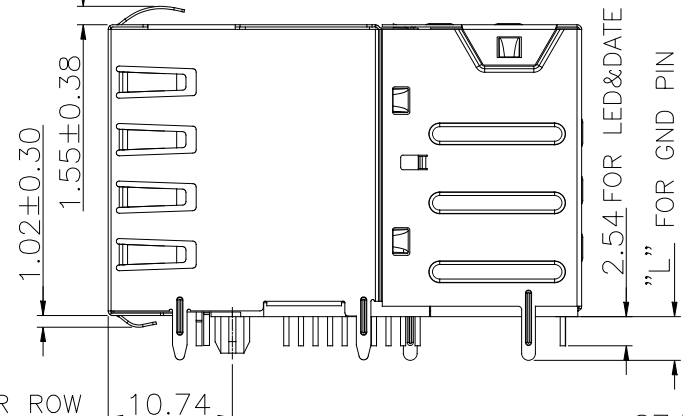
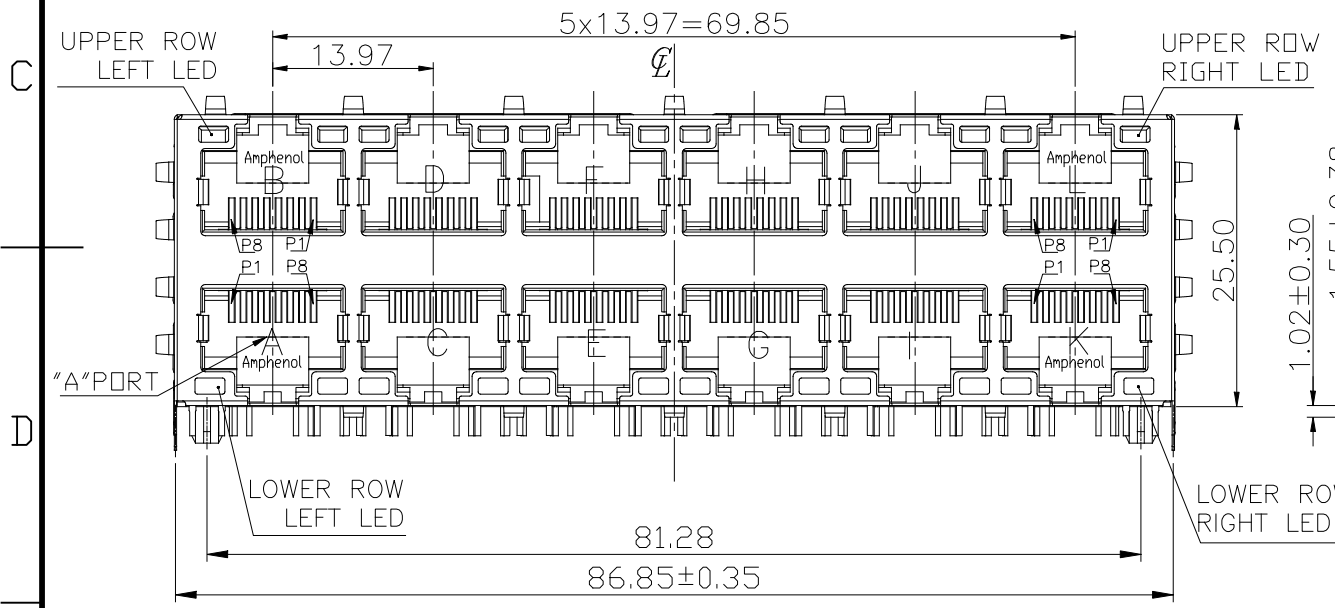
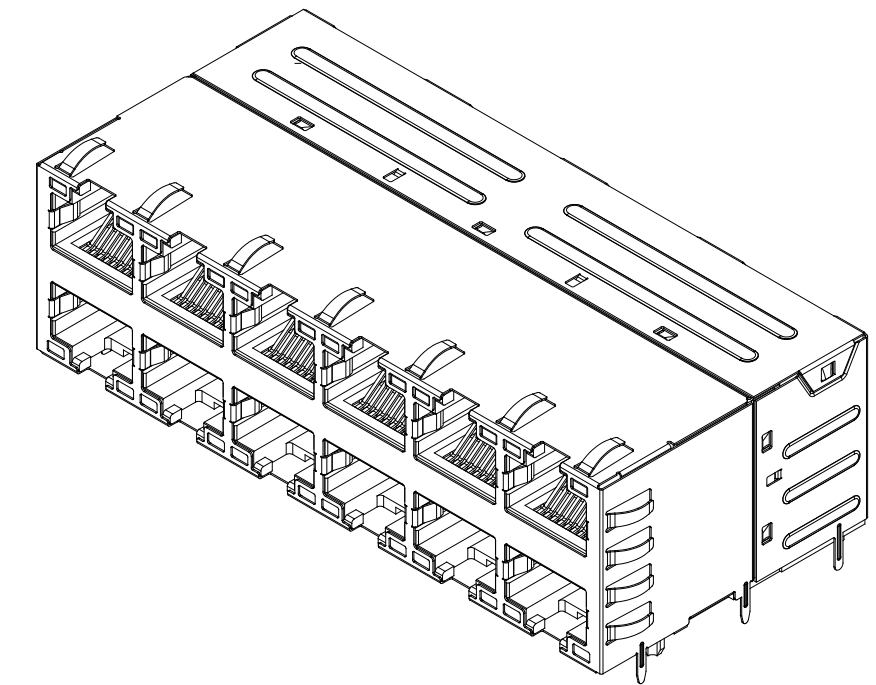
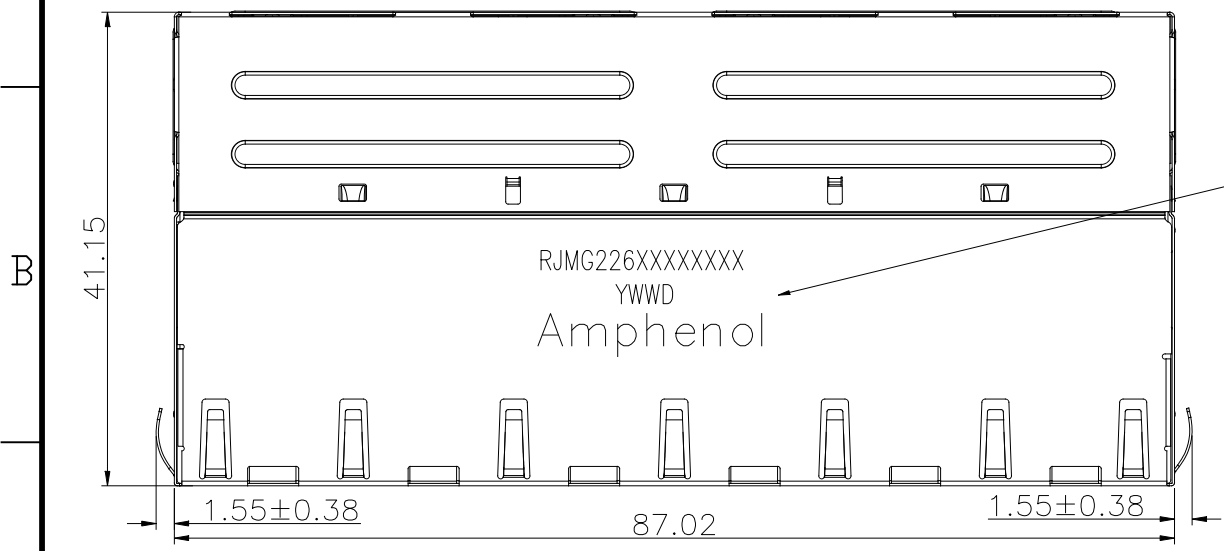


This document is the property of Amphenol Corporation and is delivered on the express condition that is not to be disclosed, reproduced or used, in whole or in part, for manufacture or sale by anyone other than Amphenol Corporation without its prior consent, and that no right is granted to disclose or to use any information in this document.

The marking on this product doesn't contain environmental hazardous materials per Material Specification SS-00259 for Sony GP compliant or per directive 2011/65/EU for RoHS compliant.

CUSTOMER DRAWING

REVISIONS				
SYM	ECN No.	DESCRIPTION	DATE	APPROVED
A	NE-20156	NEW RELEASE	10/30/2020	Roger Tsai



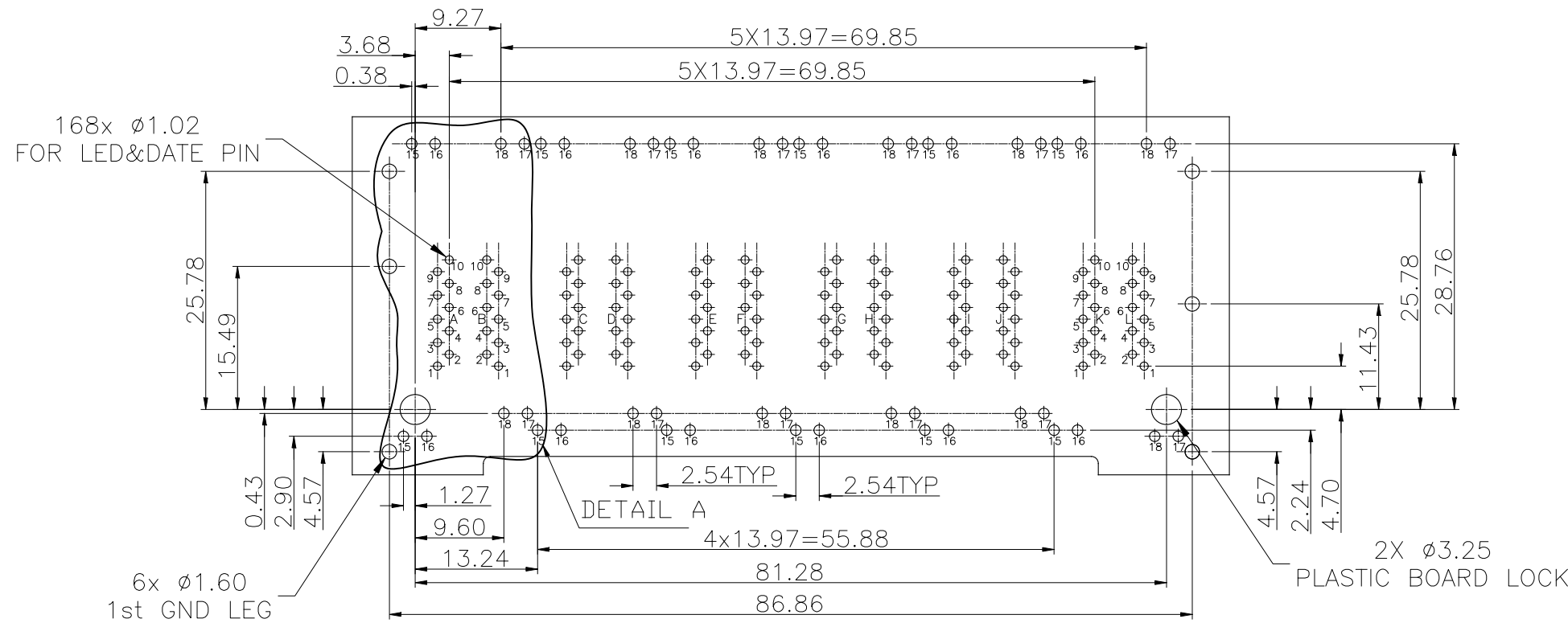
TOLERANCE	APPROVALS	DATE	TITLE		Amphenol®	
X. ±0.35	DRAWN Benly Han	10/30/2020	RJMG226X SERIES 2X6 1000 Base-T SERIES Long body with LED Option		Amphenol Corporation Amphenol Taiwan Corporation	
X.X ±0.25	CHECKED Vivian Wen	10/30/2020				
X.XX ±0.15	APPROVED Roger Tsai	10/30/2020				
ANGULAR ±1°	DWG TYPE CUST DWG	PROJECT CODE RJMG	UNIT mm	SIZE A3	PART No. RJMG226K3XXX4XR	
UNLESS OTHERWISE SPECIFIED			SCALE NA	SHEET 1 OF 5	DWG No. RJMG226K3XXX4XR	REV. A

This document is the property of Amphenol Corporation and is delivered on the express condition that is not to be disclosed, reproduced or used, in whole or in part, for manufacture or sale by anyone other than Amphenol Corporation without its prior consent, and that no right is granted to disclose or to use any information in this document.

The marking on this product doesn't contain environmental hazardous materials per Material Specification SS-00259 for Sony GP compliant or per directive 2011/65/EU for RoHS compliant.

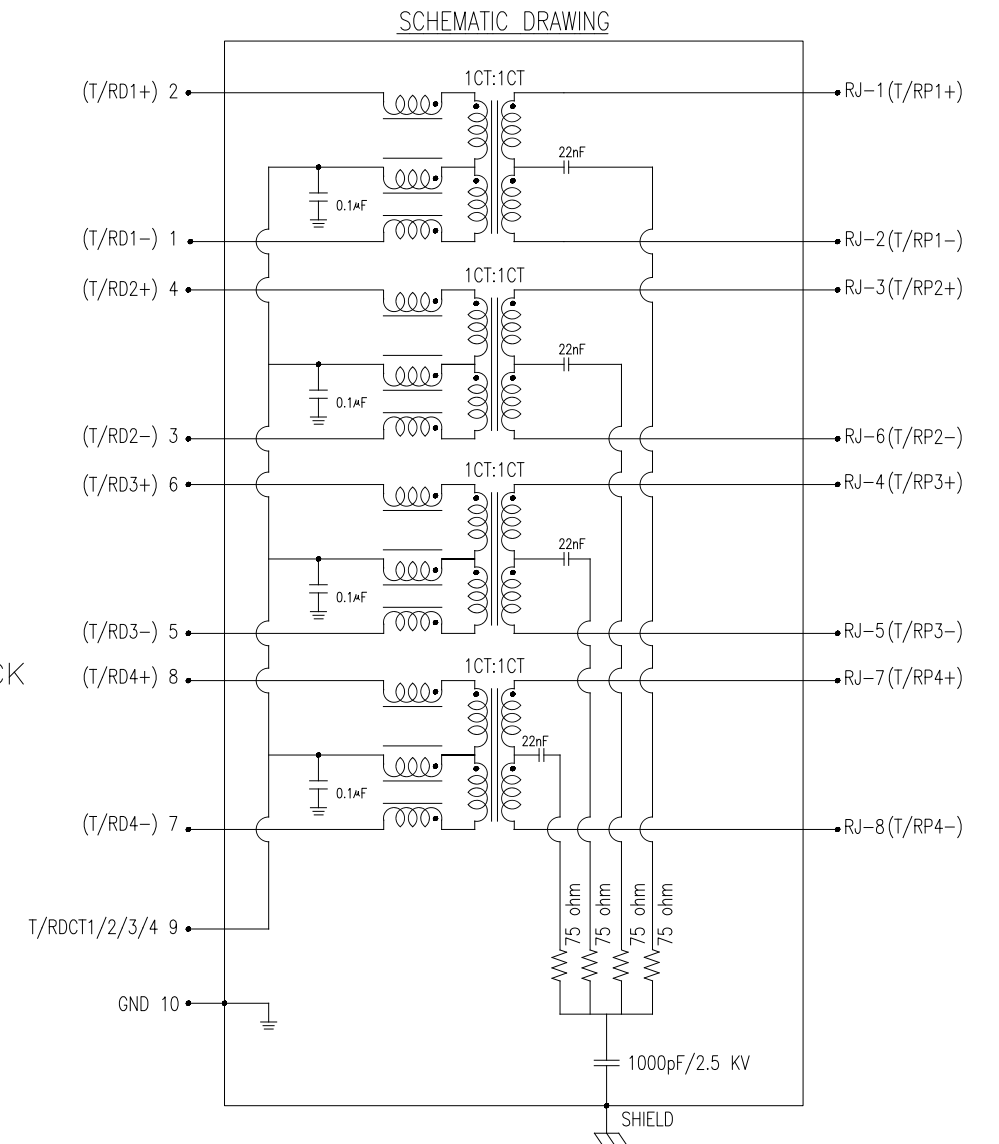
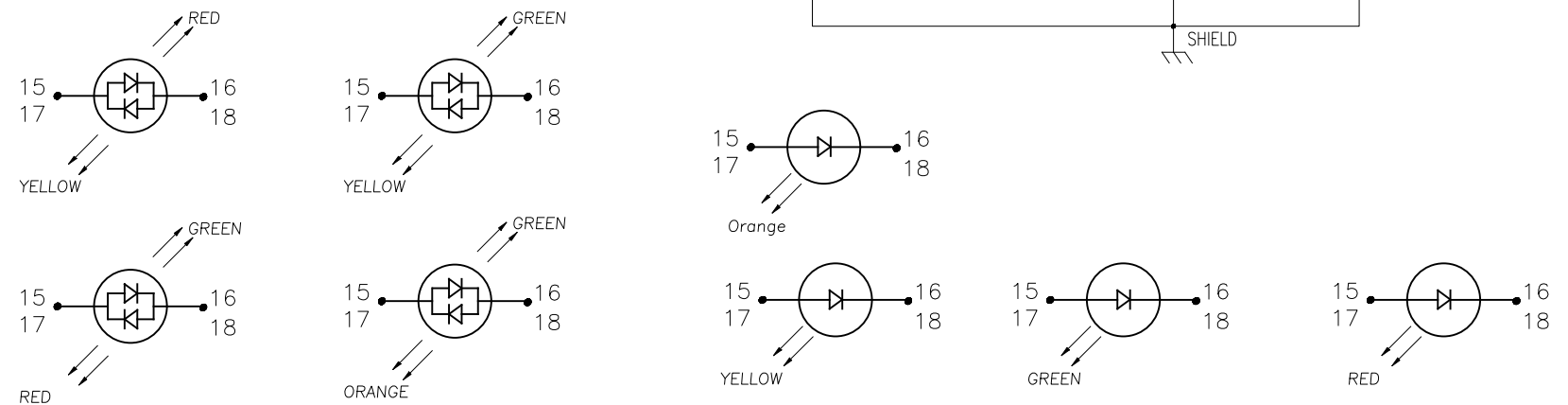
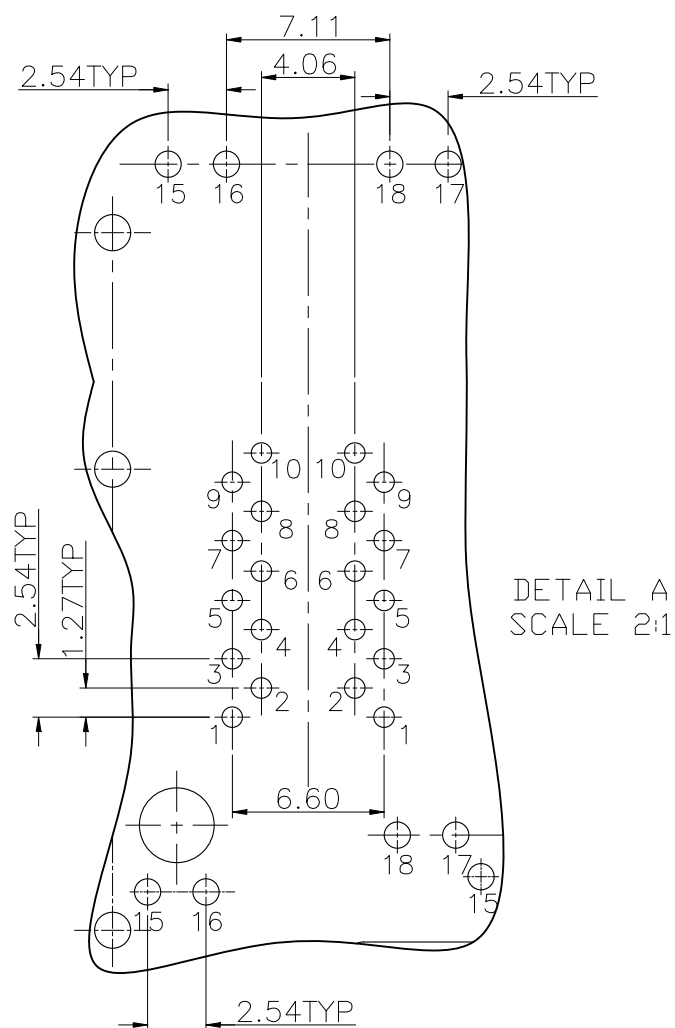
CUSTOMER DRAWING

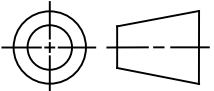
REVISIONS				
SYM	ECN No.	DESCRIPTION	DATE	APPROVED
A	NE-20156	NEW RELEASE	10/30/2020	Roger Tsai



RECOMMENDED PCB LAYOUT COMPONENT SIDE
ALL DIMENSION TOLERANCE ARE ±0.08 UNLESS OTHERWISE SPECIFIED

10	GND
9	VCC
8	TRD 4+
7	TRD 4-
6	TRD 3+
5	TRD 3-
4	TRD 2+
3	TRD 2-
2	TRD 1+
1	TRD 1-



TOLERANCE	APPROVALS	DATE	TITLE		Amphenol®		
X. ±0.35	DRAWN Benly Han	10/30/2020	RJMG226X SERIES 2X6 1000 Base-T SERIES Long body with LED Option		Amphenol Corporation Amphenol Taiwan Corporation		
X.X ±0.25							
X.XX ±0.15	CHECKED Vivian Wen	10/30/2020			UNIT mm	SIZE A3	PART No. RJMG226K3XXX4XR
X.XXX ±0.15	APPROVED Roger Tsai	10/30/2020			SCALE NA	SHEET 2 OF 5	DWG No. RJMG226K3XXX4XR
ANGULAR ±1°	DWG TYPE CUST DWG	PROJECT CODE RJMG					
UNLESS OTHERWISE SPECIFIED							

This document is the property of Amphenol Corporation and is delivered on the express condition that it is not to be disclosed, reproduced or used, in whole or in part, for manufacture or sale by anyone other than Amphenol Corporation without its prior consent, and that no right is granted to disclose or to use any information in this document.

The marking on this product doesn't contain environmental hazardous materials per Material Specification SS-00259 for Sony GP compliant or per directive 2011/65/EU for RoHS compliant.

CUSTOMER DRAWING

REVISIONS				
SYM	ECN No.	DESCRIPTION	DATE	APPROVED
A	NE-20156	NEW RELEASE	10/30/2020	Roger Tsai


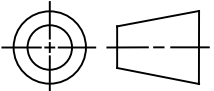
ELECTRICAL SPECIFICATION(@25° C)

LED PERFORMANCE

PARAMETER	SINGLE COLOUR		BICOLOUR		UNITS
	YELLOW	GREEN	GREEN	ORANGE	
FORWARD CURRENT IF MAX	20		20		mA
REVERSE CURRENT IR MAX	10		10		uA
REVERSE VOLTAGE VR MAX	-5		-5		V
T OPERATURE TOP	-20~+80		-20~+80		°C
T SOLDERING TURE TS	260+/-5		260+/-5		°C
POWER DISS. Pd	75		75		mW
INTENSITY IV MIN	10		10	10	MCD
PEAK WAVELENTH	585~595	565~575	565~575	602~610	nM
FORWARD VOLTAGE TYP	1.85~2.45				V
FORWARD VOLTAGE MAX	2.45				V

CONNECTOR PERFORMANCE

PARAMETER	LIMITS (MAX. OR MIN.)	FREQUENCY RANGE/ TEST CONDITIONS
INSERTION LOSS (RX/TX)	-1.0dB MAX. -1.2dB MAX.	0.1-100 MHz 100-125 MHz
RETURN LOSS (RX/TX)	-18dB MIN. -16dB MIN. -12dB MIN. -10dB MIN.	1-30 MHz 30-60 MHz 60-80 MHz 80-100 MHz
CM-CM REJECTION	-30dB MIN.	1MHz-100MHz
CROSSTALK ISOLATION (RX/TX)	-30dB MIN.	1MHz-100MHz
HIPOT (ISOLATION)	1.5kVrms MIN.	1mA Max. 60s
OCL	350uH MIN.	100KHz 100mV 8mA
TURN RATIO	1:1±2%	

TOLERANCE	APPROVALS	DATE	TITLE		PART No.	
X. X.X ±0.35 X.XX ±0.25 X.XXX ±0.15	DRAWN Benly Han	10/30/2020	RJMG226X SERIES 2X6 1000 Base-T SERIES Long body with LED Option		 Amphenol Corporation Amphenol Taiwan Corporation	
ANGULAR ±1°	CHECKED Vivian Wen	10/30/2020				
UNLESS OTHERWISE SPECIFIED	APPROVED Roger Tsai	10/30/2020		UNIT mm	SIZE A3	PART No. RJMG226K3XXX4XR
	DWG TYPE CUST DWG	PROJECT CODE RJMG	SCALE NA	SHEET 3 OF 5	DWG No. RJMG226K3XXX4XR	REV. A

This document is the property of Amphenol Corporation and is delivered on the express condition that is not to be disclosed, reproduced or used, in whole or in part, for manufacture or sale by anyone other than Amphenol Corporation without its prior consent, and that no right is granted to disclose or to use any information in this document.

The marking on this product doesn't contain environmental hazardous materials per Material Specification SS-00259 for Sony GP compliant or per directive 2011/65/EU for RoHS compliant.

CUSTOMER DRAWING

REVISIONS				
SYM	ECN No.	DESCRIPTION	DATE	APPROVED
A	NE-20156	NEW RELEASE	10/30/2020	Roger Tsai

RJMG226K3 X X X 4 X R

RIGHT LED CODE

LEFT LED CODE

- 0: No LED's Blocked Hole
- 1: Green
- 2: Yellow
- 3: Red
- 4: Bi-color Green/Yellow
- 5: Bi-color Red/Green
- 6: Bi-color Green/Orange
- 7: Bi-color Red/Yellow
- U: Orange

Plating and Packaging:

- C: gold flash, Stainless steel shield, tray
- D: gold 15 μ ", Stainless steel shield, tray
- E: gold 30 μ ", Stainless steel shield, tray
- F: gold 50 μ ", Stainless steel shield, tray

THE "L" FOR GND PIN LENGTH OPTION

- A: H=3.81mm
- B: H=3.25mm
- C: H=4.14mm

MATERIALS:

1. TERMINAL PARTS:

- 1.1. RJ OUTPUT TERMINAL : PHOSPHOR BRONZE, THICKNESS=0.30MM
FINISH: SELECTIVE GOLD (SEE THE P/N) PLATING ON CONTACT AREA
- 1.2. RJ INPUT TERMINAL : BRASS, THICKNESS=0.35MM
FINISH: 100U" MIN. MATTE TIN OVER 50~100U" NICKEL.

2. PLASTIC PARTS:

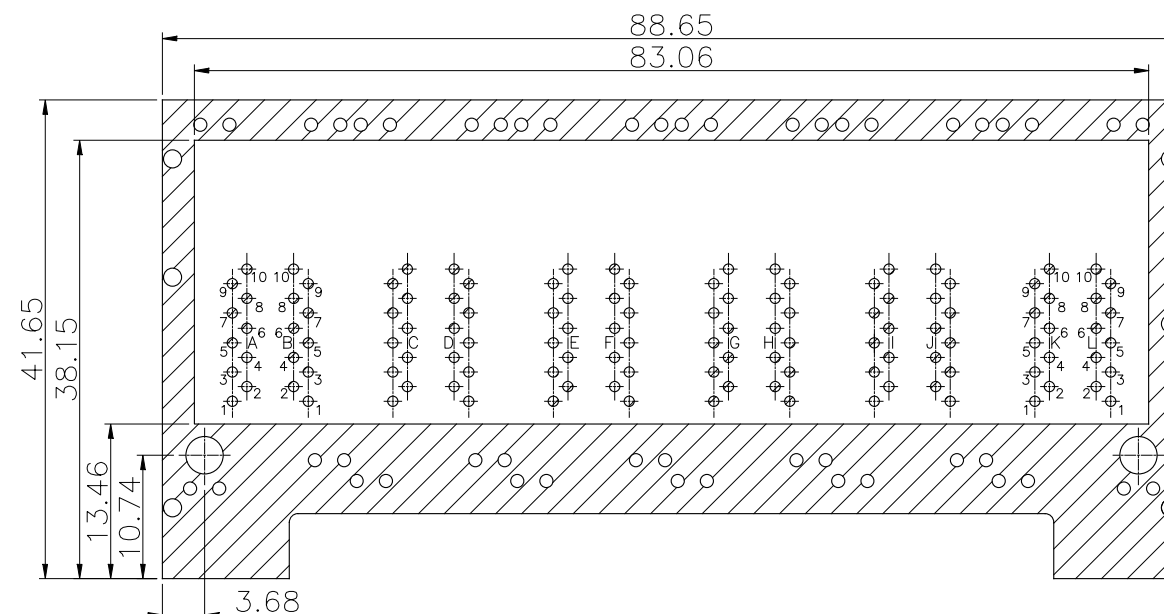
- THERMOPLASTIC, LCP, BLACK, UL94V-0.
- LIGHT PIPE: PC, WATER CLEAR, ROHS

3. SHELL PARTS:

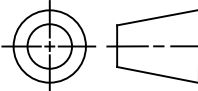
- SHELL : STAINLESS, THICKNESS=0.20MM,

OTHERS:

- 1. OPERATING TEMPERATURE : 0°C TO +70°C
- 2. STORAGE TEMPERATURE : -40°C TO +85°C
- 3. JACK CAVITY CONFORMS TO FCC RULES AND REGULATIONS PART 68, SUBPART F
GROUNDING LEG : PRE-SOLDERING
- 4. ADD VHB TO THE PRODUCT.
- 5. FOR WAVE SOLDERING ONLY.
- 6. PRODUCT SPECIFICATION REFER TO : PS-R938
- 7. TEST REPORT REFER TO : TS-R938-003



THE SHADED AREA ON THE CUSTOMER BOARD ARE RECOMMENDED TO BE CLEAR OFF ANY VIA HOLE OR COMPONENT PAD

TOLERANCE	APPROVALS	DATE	TITLE		Amphenol®	
X.	DRAWN Benly Han	10/30/2020	RJMG226X SERIES 2X6 1000 Base-T SERIES Long body with LED Option		Amphenol Corporation Amphenol Taiwan Corporation	
X.X ±0.35	CHECKED Vivian Wen	10/30/2020				
X.XX ±0.25	APPROVED Roger Tsai	10/30/2020		UNIT mm	SIZE A3	PART No. RJMG226K3XXX4XR
X.XXX ±0.15	DWG TYPE CUST DWG	PROJECT CODE RJMG		SCALE NA	SHEET 4 OF 5	DWG No. RJMG226K3XXX4XR
ANGULAR ±1°						
UNLESS OTHERWISE SPECIFIED						

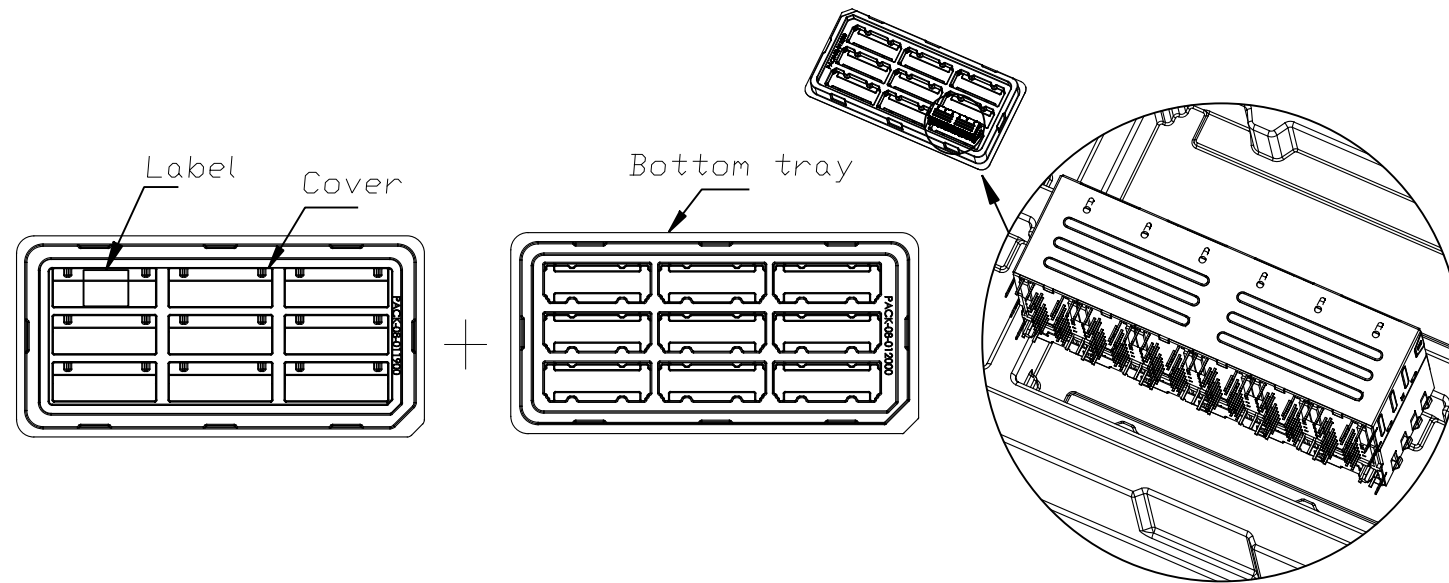
This document is the property of Amphenol Corporation and is delivered on the express condition that it is not to be disclosed, reproduced or used, in whole or in part, for manufacture or sale by anyone other than Amphenol Corporation without its prior consent, and that no right is granted to disclose or to use any information in this document.

The marking on this product doesn't contain environmental hazardous materials per Material Specification SS-00259 for Sony GP compliant or per directive 2011/65/EU for RoHS compliant.

REVISIONS				
SYM	ECN No.	DESCRIPTION	DATE	APPROVED
A	NE-20156	NEW RELEASE	10/30/2020	Roger Tsai

1-1, Put the product into the bottom tray, make sure that the PIN feet down (it shown on the picture above), per tray packs 9 PCS products, As shown on the picture:

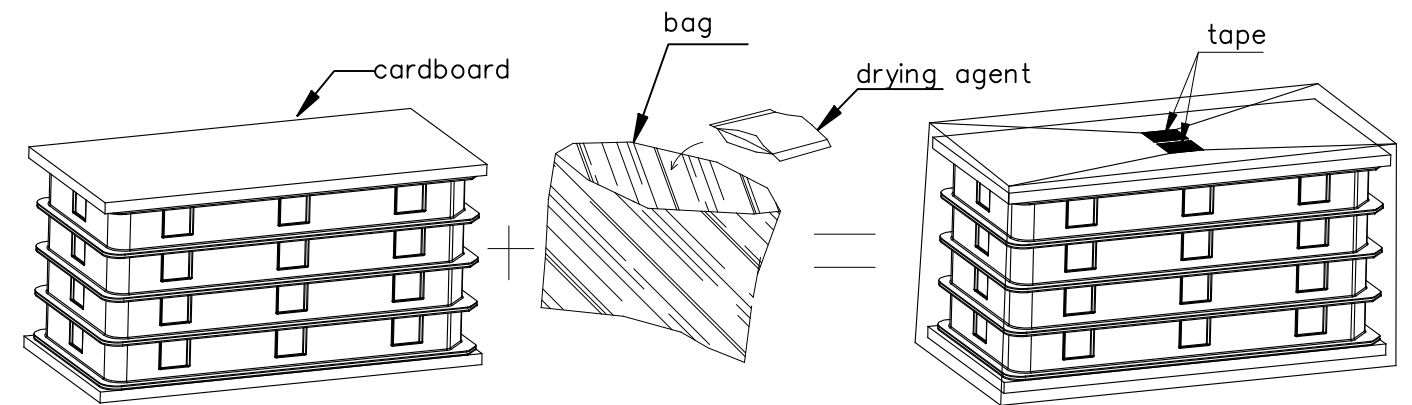
1-2, in the vacuum tray full of products cover with a lid, as shown on the figure Above:



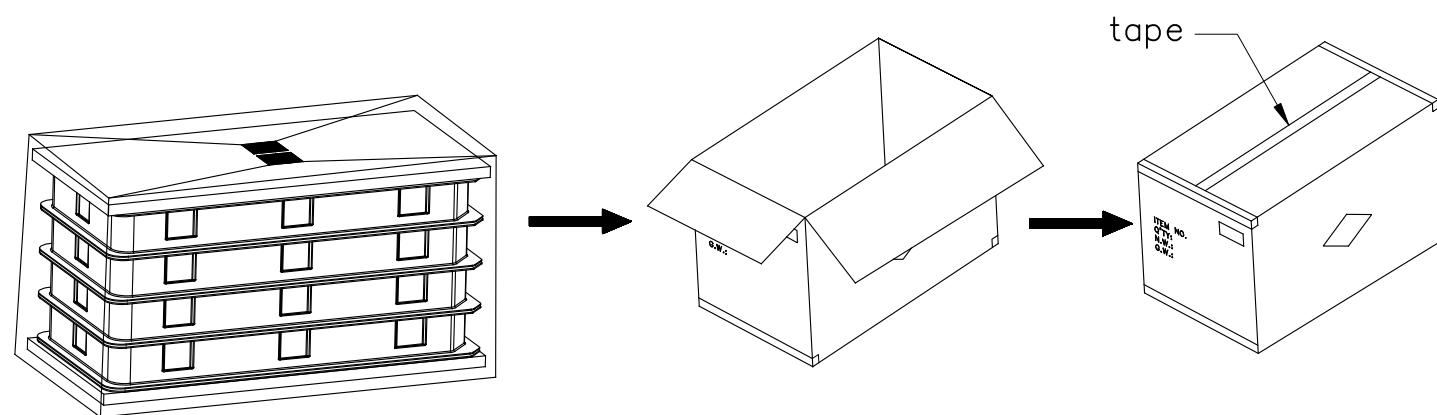
2-1, Put the packed products tray per 4 stacked together (shown on the picture below)

2-2, Every 4 trays stacked's both up and down surface need to put 2 pieces of cardboard and pearl foam (shown on the figure below):

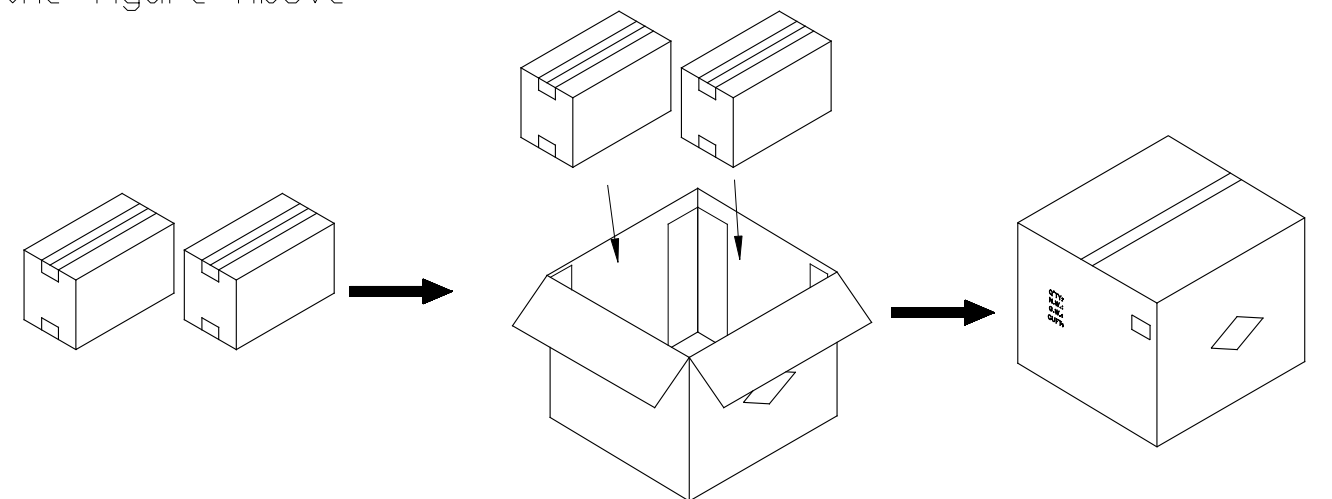
2-3, Take the folded 4 trays into a plastic bag then encapsulation (contain 36 pcs products)



3-1, put a Fold product (36 PCS) into a inbox (shown on the figure above):



4-1, Put In the two inboxes into a carton (72 PCS), then Take the carton packaging tape and label, as shown on the figure Above:



TOLERANCE	APPROVALS	DATE	TITLE		Amphenol®	
X. ±0.35	DRAWN Benly Han	10/30/2020	RJMG226X SERIES 2X6 1000 Base-T SERIES Long body with LED Option		Amphenol Corporation Amphenol Taiwan Corporation	
X.XX ±0.25	CHECKED Vivian Wen	10/30/2020				
X.XXX ±0.15	APPROVED Roger Tsai	10/30/2020				
ANGULAR ±1°	DWG TYPE CUST DWG	PROJECT CODE RJMG	UNIT mm	SIZE A3	PART No. RJMG226K3XXX4XR	
UNLESS OTHERWISE SPECIFIED			SCALE NA	SHEET 5 OF 5	DWG No. RJMG226K3XXX4XR	REV. A