

VS-25-SD - D-SUB protective cover



1652211

<https://www.phoenixcontact.com/us/products/1652211>

Please be informed that the data shown in this PDF document is generated from our online catalog. Please find the complete data in the user documentation. Our general terms of use for downloads are valid.

D-SUB protective cover, shell size 3, IP54 degree of protection, for panel mounting frame and sleeve housing VS-25-...



Commercial data

Item number	1652211
Packing unit	5 pc
Minimum order quantity	5 pc
Sales key	AB19
Product key	ABNCBZ
Catalog page	Page 219 (C-2-2013)
GTIN	4017918917142
Weight per piece (including packing)	9.17 g
Weight per piece (excluding packing)	9.17 g
Customs tariff number	85389099
Country of origin	DE

VS-25-SD - D-SUB protective cover

1652211

<https://www.phoenixcontact.com/us/products/1652211>

Technical data

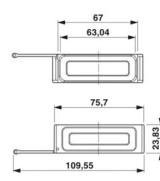
Product properties

Product type	Protective cover
Type	D-SUB 25
Connection profile	D-SUB 25

Data management status

Article revision	00
------------------	----

Dimensions

Dimensional drawing	
Width	16.5 mm
Height	23.8 mm
Length	109.6 mm

Material specifications

Color	gray
Material	Plastic
Flammability rating according to UL 94	V0
Housing material	PA

Mechanical properties

Mechanical data

Insertion/withdrawal cycles	≥ 1000
-----------------------------	--------

Environmental and real-life conditions

Ambient conditions

Degree of protection	IP54
Ambient temperature (operation)	-40 °C ... 80 °C

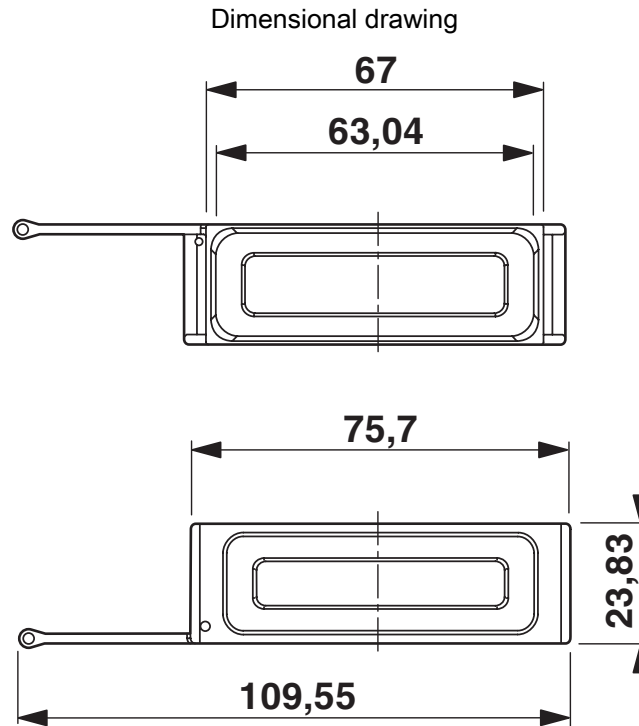
VS-25-SD - D-SUB protective cover

1652211

<https://www.phoenixcontact.com/us/products/1652211>



Drawings



Protective cover for D-SUB

VS-25-SD - D-SUB protective cover



1652211

<https://www.phoenixcontact.com/us/products/1652211>

Classifications

ECLASS

ECLASS-11.0	27440208
ECLASS-12.0	27440208
ECLASS-13.0	27440208

ETIM

ETIM 9.0	EC002314
----------	----------

UNSPSC

UNSPSC 21.0	39121400
-------------	----------

VS-25-SD - D-SUB protective cover



1652211

<https://www.phoenixcontact.com/us/products/1652211>

Environmental product compliance

EU RoHS

Fulfills EU RoHS substance requirements	Yes, No exemptions
---	--------------------

China RoHS

Environment friendly use period (EFUP)	EFUP-E
	No hazardous substances above the limits

EU REACH SVHC

REACH candidate substance (CAS No.)	No substance above 0.1 wt%
-------------------------------------	----------------------------

VS-25-SD - D-SUB protective cover

1652211

<https://www.phoenixcontact.com/us/products/1652211>



Accessories

VS-25-A - Panel-mount frame

1689750

<https://www.phoenixcontact.com/us/products/1689750>

D-SUB panel mounting frame, shell size 3, IP67 degree of protection



Phoenix Contact 2024 © - all rights reserved
<https://www.phoenixcontact.com>

Phoenix Contact USA
586 Fulling Mill Road
Middletown, PA 17057, United States
(+717) 944-1300
info@phoenixcon.com