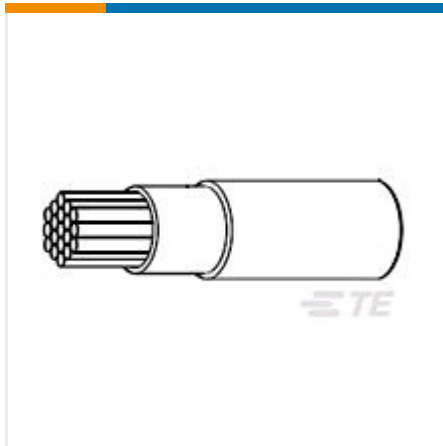




[+ WIRE AND CABLE](#)

[HOOK UP WIRE](#)



✓ Active

TE CONNECTIVITY (TE)

FLDWC0311-12-1

Raychem

FLDWC0311-12-1

TE Internal Number: 484379-000

Alias ID: 6-1193624-9

[EU RoHS Compliant](#)

[EU ELV Compliant](#)

Cable Type FlexLite DW

Voltage Rating (V) 600

Insulation Material Radiation-Crosslinked, Polyalkene

Conductor Material Tin-Plated Copper

Wire Size (AWG) 12

[↓ PRODUCT DRAWING](#)
English

DOCUMENTATION

Product Drawings

DUAL WALL HOOKUP WIRE, RADIATION-CROSSLINKED, POLYALKENE-INSULATED, 600 VOLT

PDF (TIFF AVAILABLE)

English

Product Specifications

Product Specification

Wire And Cable, Electric, Insulated Copper

PDF

English

FEATURES



Please review product documents or [contact us](#) for the latest agency approval information.

Please Note: Use the Product Drawing for all design activity.

Product Type Features

Cable Type FlexLite DW

Cable Style Primary, Stranded

Product Classification Wire - Commercial

Product Type Wire

Configuration Features

Number of Strands 19

Number of Conductors 1

Electrical Characteristics

Voltage Rating (V) 600

Resistance (Max) 1.92 Ω /1000 ft @ 68°F

Body Features

Insulation Material Radiation-Crosslinked, Polyalkene

Conductor Material Tin-Plated Copper

Wire Color Brown

Weight (kg/km) 36.46

Dimensions

Strand Size (AWG) 25

Wire Size (AWG) 12

Wire Size (mm²) 3.31

Conductor Size (AWG) 12

Conductor Diameter 2.29 mm [.09 in]

Insulation Thickness .127 mm [.005 in]

Overall Outside Diameter Range 3 – 3.2 mm [.118 – .126 in]

Overall Outside Diameter 3.0988 mm [.122 in]

Wire Diameter 3.1 mm [.122 in]

Usage Conditions

Operating Temperature Range (°C) -45 – 125

PRODUCT COMPLIANCE



Statement of Compliance

Statement of Compliance

PDF
