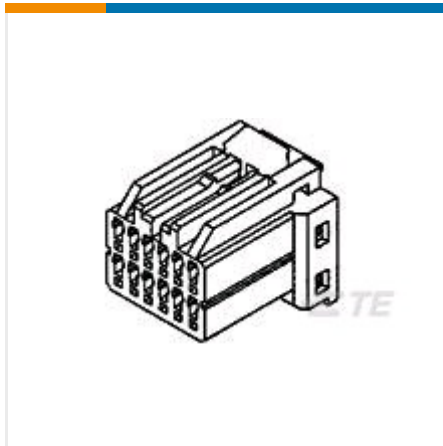




CONNECTORS

AUTOMOTIVE, TRUCK, BUS, & OFF-ROAD HOUSINGS



✓ Active

TE CONNECTIVITY (TE)

040 MLC 20POS PLUG HSG ASSY

AMP | Multilock Connector System

175967-3

TE Internal Number: 175967-3

EU RoHS Compliant

EU ELV Compliant

Connector Style Housing for female terminals

Mating Tab Width 1 mm [.039 in]

Connector System Wire-to-Board, Wire-to-Device

Number of Positions 20

Centerline (Pitch) 2.5 mm [.098 in]

[↓ PRODUCT DRAWING](#)
English

[↓ 3D PDF](#)

DOCUMENTATION

Product Drawings

040 SERIES MULTILOCK I/O CONNECTOR MK-II 20POSITION PLUG HOUSING ASSEMBLY

PDF

English

CAD Files

Customer View Model

3D_STP.ZIP

English

Customer View Model

3D_IGS.ZIP

English

Customer View Model

2D_DXF.ZIP

English

3D PDF

PDF

English

Product Specifications

Product Specification

.040 Series Multi Lock I/O Connector MK-II

PDF

Japanese

Qualification Test Report

.040 Multi-Lock Connector MK-II

PDF

English

Instruction Sheets

Customer Manual (non U.S.)

.040 Series Multilock I/O Connector Mark II

PDF

Japanese

.040 Series Multilock I/O Connector Mark II

TIF

Japanese

.040 Series, Multilock I/O Connector, Mark II

PDF

Japanese

.040 Series, Multilock I/O Connector, Mark II

TIF

Japanese

FEATURES



Please review product documents or [contact us](#) for the latest agency approval information.

Please Note: Use the Product Drawing for all design activity.

Product Type Features

Connector Style Housing for female terminals

Connector System Wire-to-Board, Wire-to-Device

Sealable No

Hybrid Connector No

Primary Locking Feature Integrated in Housing

Strain Relief No

Row-to-Row Spacing 2.54 mm [.1 in]

Configuration Features

Number of Positions 20

Number of Rows 2

Electrical Characteristics

Nominal Voltage Architecture (V) 12

Operating Voltage (VDC) 12

Body Features

Color Black

Cable Exit Angle 180°

Body Material PBT

Contact Features

Mating Tab Width 1 mm [.039 in]

Mechanical Attachment

Mounting Feature No

Terminal Position Assurance Yes

Polarized Yes

Housing Features

Centerline (Pitch) 2.5 mm [.098 in]

Dimensions

Width 28.3 mm [1.114 in]

Height 18 mm [.709 in]

Length 23 mm [23 in]

Usage Conditions

Operating Temperature Range -30 – 105 °C [-22 – 221 °F]

Operation/Application

Circuit Application Signal

Industry Standards

UL Flammability Rating UL 94-HB

Packaging Features

Packaging Method Bag

Packaging Quantity 100

Other

Connector Position Assurance Capable No

Serviceable Yes

Statement of Compliance

Statement of Compliance

PDF
