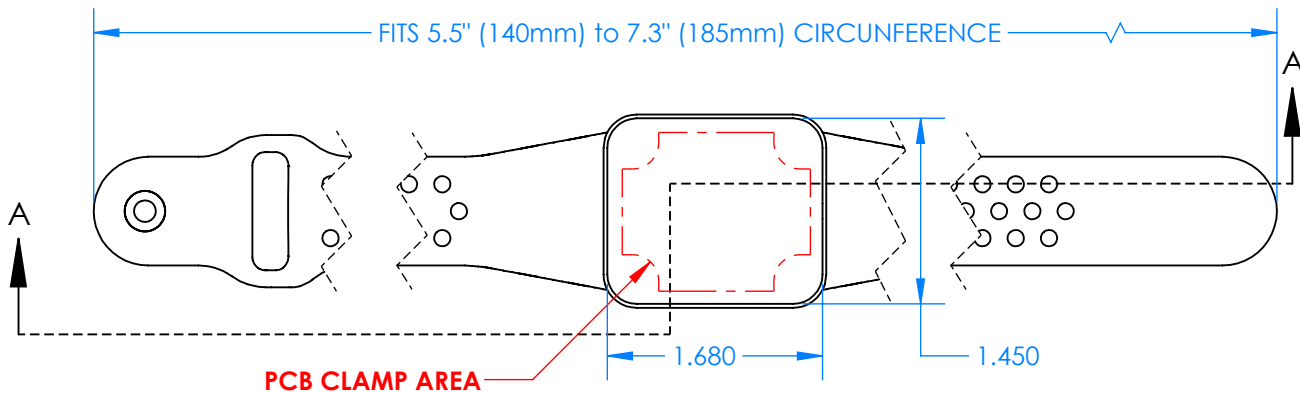
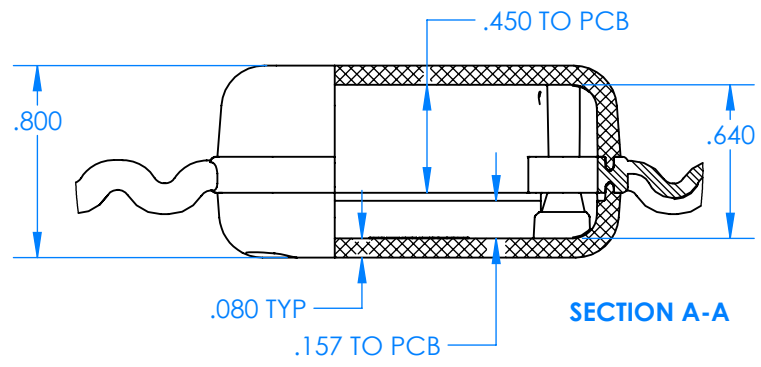


SERPAC BW25A-YY-AS-ZZ

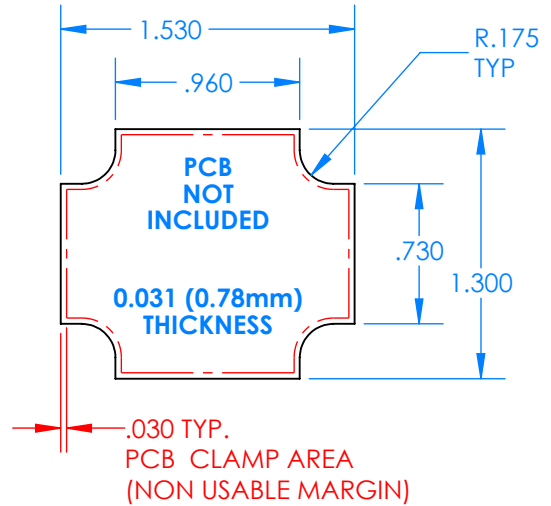
Electronic Enclosures



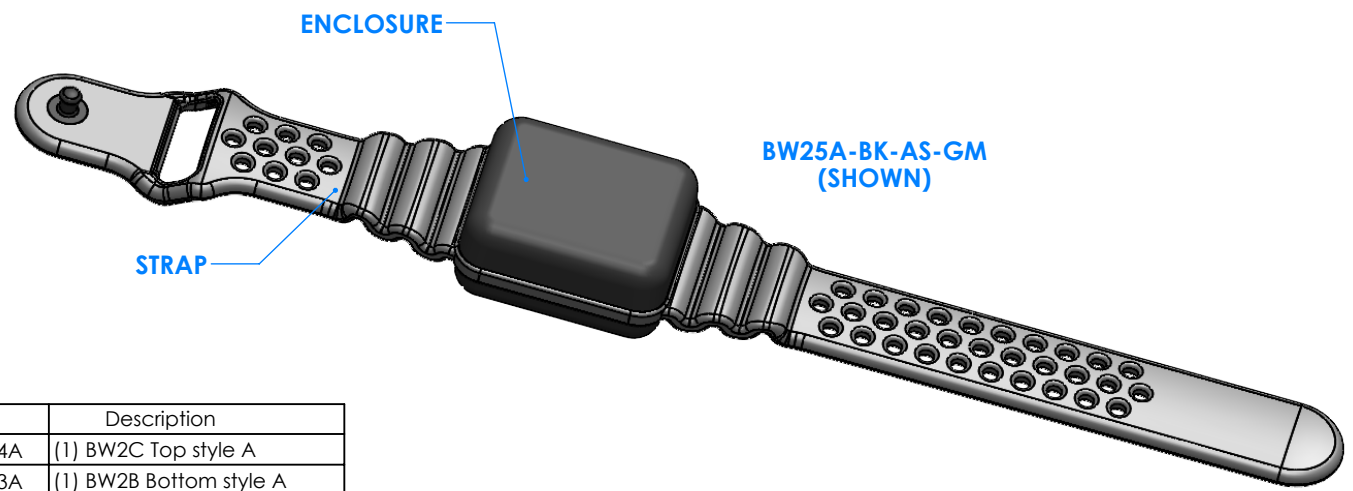
PCB CLAMP AREA



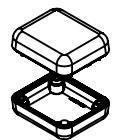
SECTION A-A



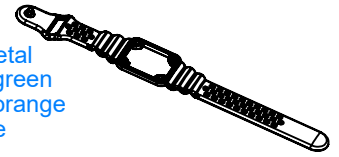
.030 TYP.
PCB CLAMP AREA
(NON USABLE MARGIN)



Enclosure color (YY)
Top-Bottom combinations available
 BK=black
 CL=clear
 TRGY=translucent gray
 TRRD=translucent red



Strap color (ZZ)
 BK=black
 BL=blue
 GM=gunmetal
 NG=neon green
 NO=neon orange
 OR=orange
 YL=yellow
 WH=white



PN	Description
5514A	(1) BW2C Top style A
5513A	(1) BW2B Bottom style A
5517A	(1) BW2AS-Small Strap style A
6057	(4) #2 X 3/8" SS PH HD screw. TORQUE 35-60 in-oz

Watertight enclosure meets or exceeds:
IP67
NEMA 4X, 12, 13