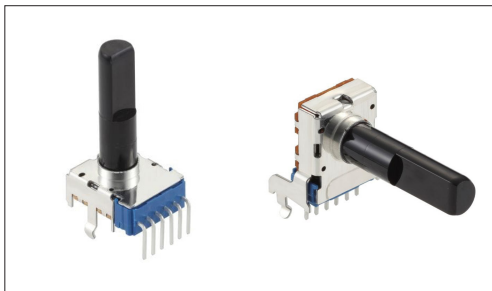


Potentiometers Rotary Potentiometer (Insulated shaft type)

12mm Size Insulated Shaft Snap-in Type RK12L Series

Body width of 12mm, delivering high performance.



- Total resistance tolerance: $\pm 20\%$
- Maximum operating voltage: 50V AC for AC only
- Rotational torque: 2 to 15mN·m
- Operating life: 15,000 cycles
- Operating temperature range: -10°C to $+70^{\circ}\text{C}$

Applications: Home: Major home appliances, Office equipment
Audio_TV: Visual, Audio, Pro audio

■ Product List

| Products No. | Number of resistor elements | Control part orientation | Shaft types | Length of the shaft LM1 (mm) | Detent | Total resistance | Resistance taper | Automotive | Drawing No. |
|--------------|-----------------------------|--------------------------|-------------|------------------------------|---------------|------------------|------------------|------------|-------------|
| RK12L1230C1K | Dual-unit | Vertical | Flat | 25.0 | Center detent | 10k Ω | 1B | — | 1 |
| RK12L1230C0Q | Dual-unit | Vertical | Flat | 25.0 | Without | 10k Ω | 1B | — | |
| RK12L123000G | Dual-unit | Vertical | Flat | 30.0 | Center detent | 10k Ω | 1B | — | 2 |
| RK12L1230A08 | Dual-unit | Vertical | Flat | 30.0 | Without | 10k Ω | 1B | — | |
| RK12L1210C1T | Dual-unit | Horizontal | Flat | 30.0 | Center detent | 10k Ω | 1B | — | 3 |
| RK12L1210C0V | Dual-unit | Horizontal | Flat | 30.0 | Without | 10k Ω | 1B | — | |
| RK12L12C0A0E | Dual-unit | Vertical | Flat | 25.0 | Without | 10k Ω | 15A | — | 1 |
| RK12L12C0A0G | Dual-unit | Vertical | Flat | 30.0 | Without | 10k Ω | 15A | — | 2 |
| RK12L12A0C0R | Dual-unit | Horizontal | Flat | 30.0 | Without | 10k Ω | 15A | — | 3 |

⚠ Note

1. This catalog shows only outline specifications. When using the products, please obtain formal specifications for supply.
2. Please place purchase orders per minimum order unit (integer).
3. Products other than those listed in above products are also available. Please contact us for details.

■ Packing Specifications

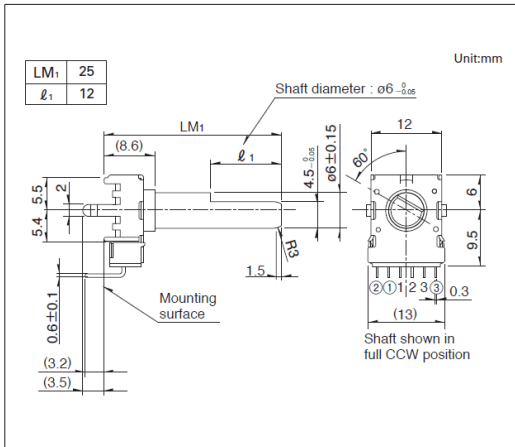
Tray

| Number of packages (pcs.) | | Export package measurements (mm) |
|---------------------------|-------------------------|----------------------------------|
| 1 case / Japan | 1 case / export packing | |
| 800 | 1,600 | 543 x 377 x 250 |

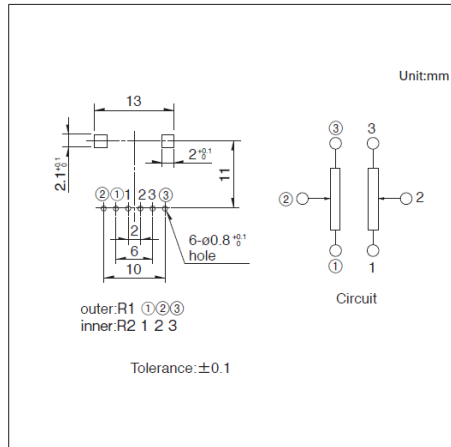
12mm Size Insulated Shaft Snap-in Type
RK12L Series

Drawing No.1

■ Dimensions



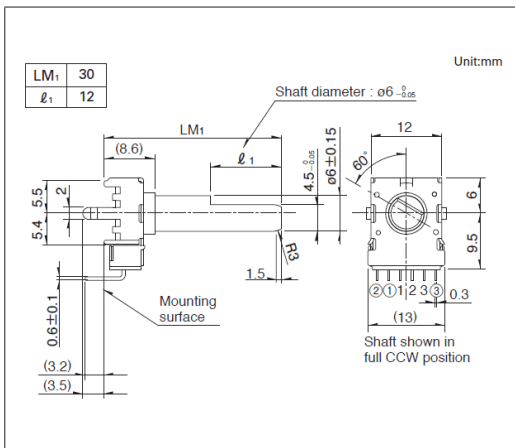
■ Mounting Hole Dimensions



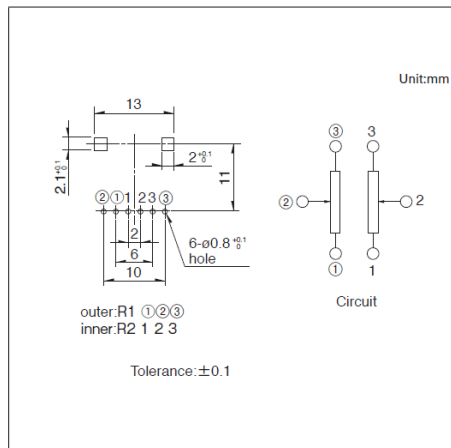
Viewed from mounting side.

Drawing No.2

■ Dimensions



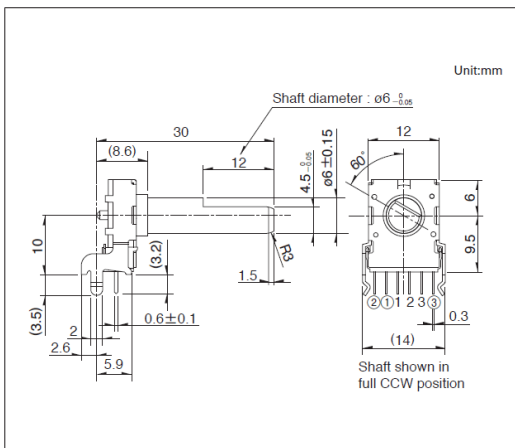
■ Mounting Hole Dimensions



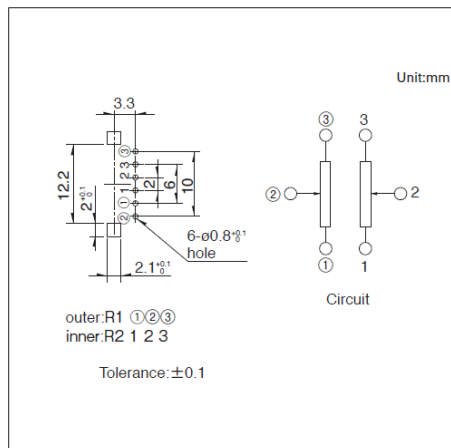
Viewed from mounting side.

Drawing No.3

■ Dimensions



■ Mounting Hole Dimensions



Viewed from mounting side.