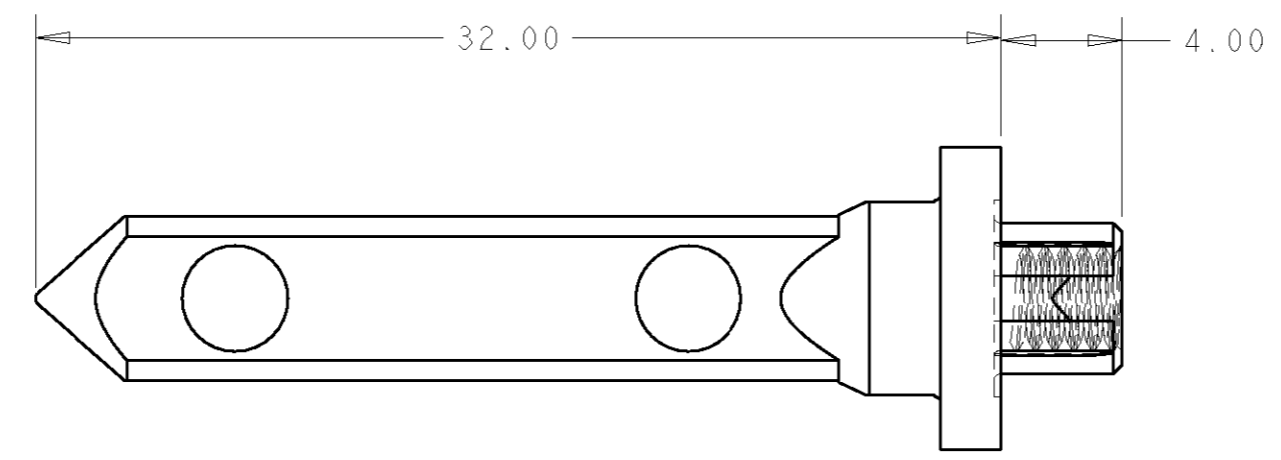
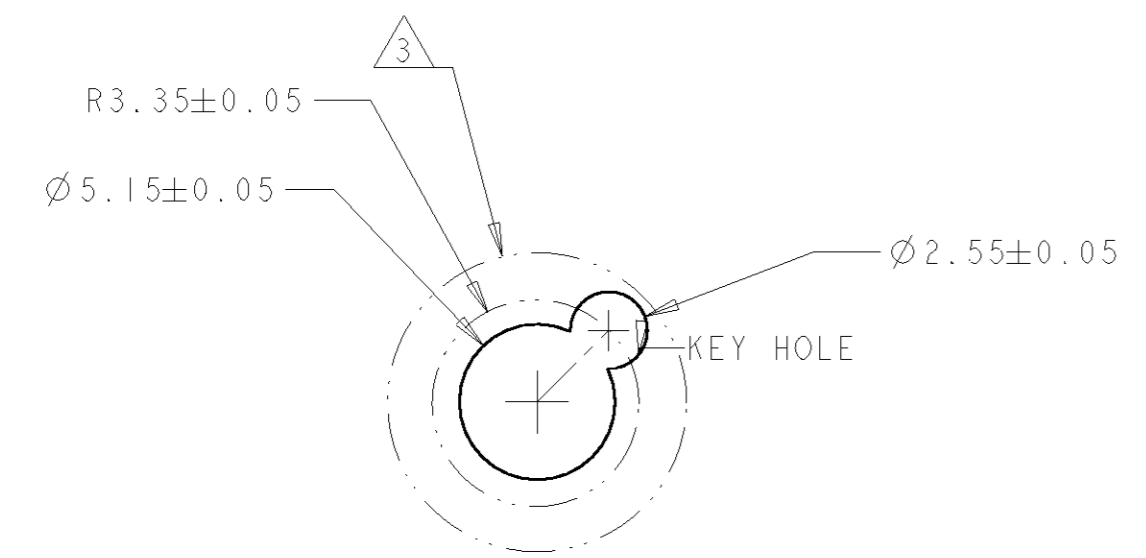
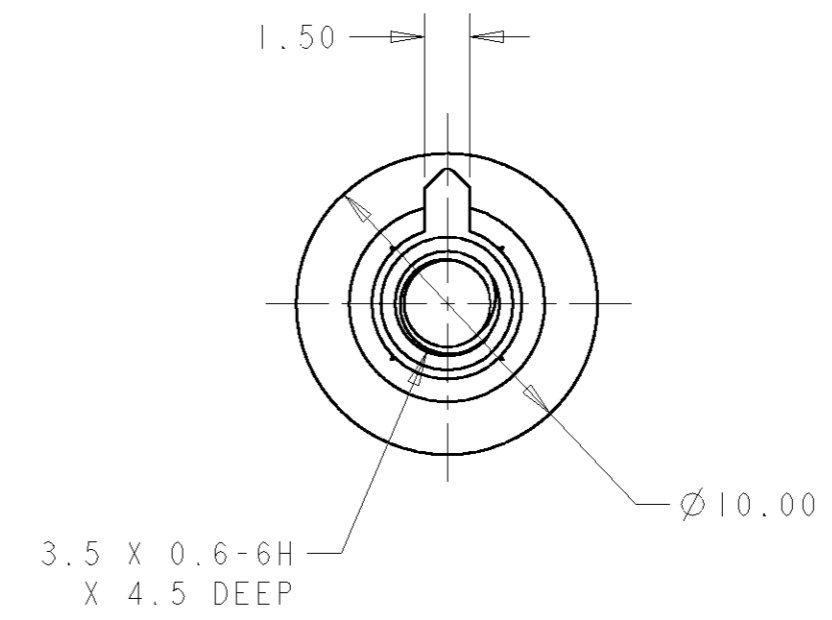
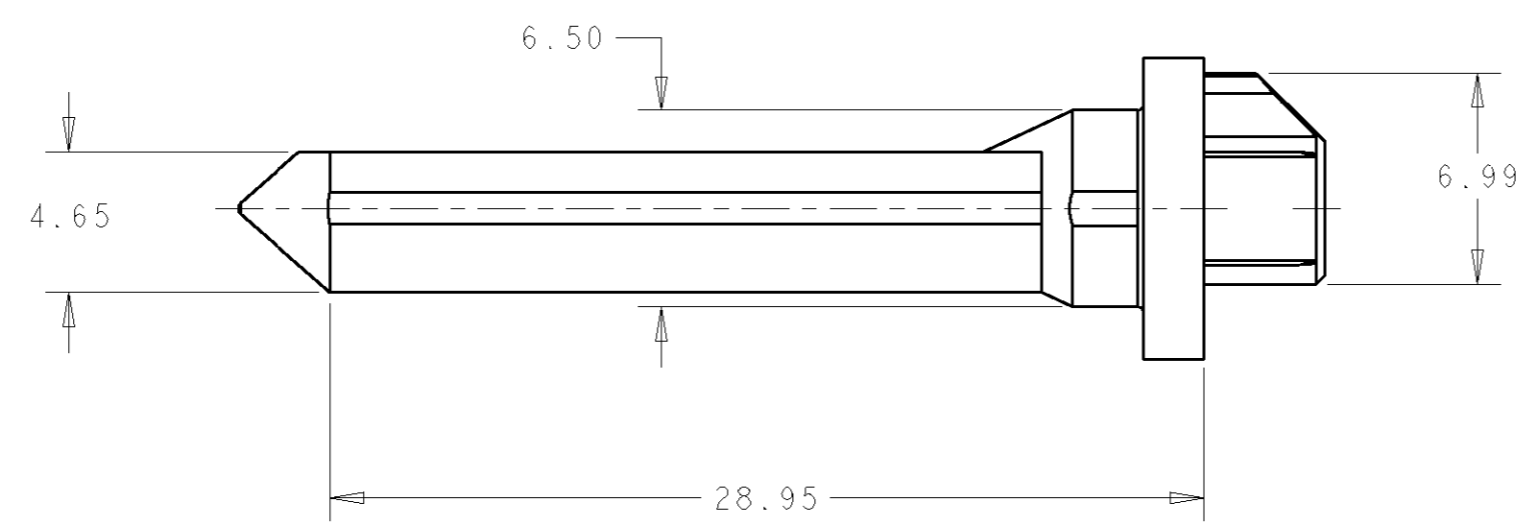
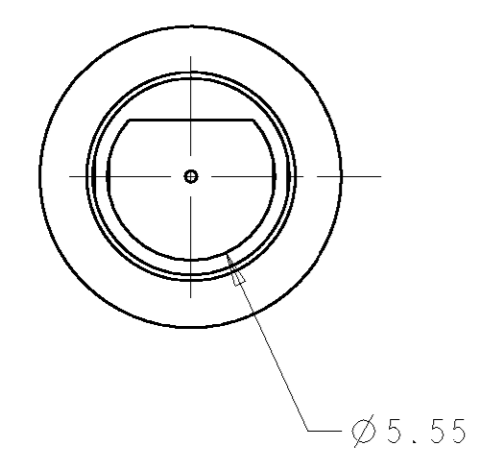


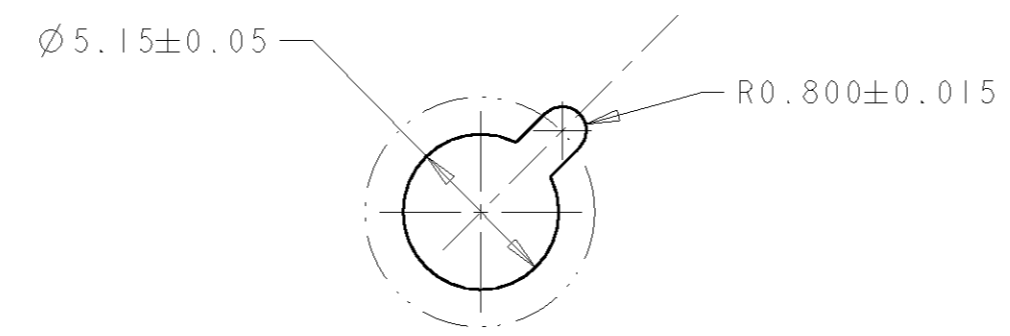
| LOC | DIST | REVISIONS | | | |
|-----|------|-------------|-------------------------|-----------|-------|
| P | LTR | DESCRIPTION | DATE | DWN | APVD |
| AD | 00 | A | REV PER EC 0S12-0319-05 | 16JUN2005 | BC GG |



- ① MATERIAL: ZINC ALLOY
- ② FINISH: NICKEL OVER COPPER.
- ③ OPTIONAL ANNULAR RING MAY BE PLATED AROUND GUIDE PIN MOUNTING HOLE ON BOTTOM SIDE OF BOARD



TIER 1
 GUIDE PIN FOOTPRINT
 (20.3 & 25.4mm SIGNAL MODULES)
 SCALE 4:1



ALTERNATE PCB LAYOUT
 FOR GUIDE POST
 SCALE 4:1

| | | |
|--------|-----------|-------------|
| ② | 1410477-1 | 1410477-2 |
| - | ① | 1410477-1 |
| FINISH | MATERIAL | PART NUMBER |

| DIMENSIONS: | | TOLERANCES UNLESS OTHERWISE SPECIFIED: | | DWN | | tyco | | Tyco Electronics | |
|-------------|---|--|---------|------------------|-------------|--|-----------|------------------|---------------|
| mm | | 0 PLC | ± | B. CARBO | 16 JUN 2005 | Harrisburg, PA 17105-3608 | | | |
| | | 1 PLC | ±0.5 | CHK | G. GRIFFITH | KEYED GUIDE PIN MULTIGIG BACKPLANE CONNECTOR | | | |
| | | 2 PLC | ±0.13 | APVD | G. GRIFFITH | SIZE | CAGE CODE | DRAWING NO | RESTRICTED TO |
| | | 3 PLC | ±0.013 | PRODUCT SPEC | - | A2 | 00779 | 1410477 | - |
| | | 4 PLC | ±0.0001 | APPLICATION SPEC | 114-13056 | SCALE | 4:1 | SHEET | OF |
| | | ANGLES | ±0°30' | WEIGHT | - | REV | A | | |
| MATERIAL | ① | FINISH | ② | CUSTOMER DRAWING | | | | | |