

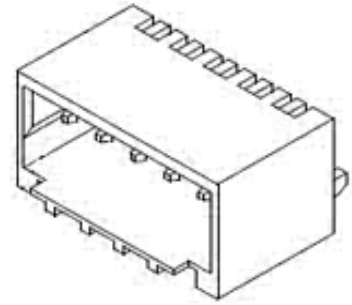
Part Number : [780480343](#)

Product Description : 1.50mm Pitch Pico-SPOX
Wire-to-Board Header, Liquid Crystal Polymer, Right-
Angle, 3 Circuits, Embossed Tape on Reel, Beige

Series Number : 78048

Status : Obsolete

Product Category : PCB Headers and Receptacles



Documents and Resources

Drawings

[780480343_sd.pdf](#)

3D Models and Design Files

[STEP AP242](#)

[SOLIDWORKS](#)

[Creo](#)

[Symbol and Footprint \(Multi-Format\)](#)

[780480343.dxf](#)


Specifications

[SPK-78048-001-001.pdf](#)

[PS-78047-001-001.pdf](#)

Product Environment Compliance

Compliance

GADSL/IMDS	Compliant with Exemption 44; 33
China RoHS	 per SJ/T 11365-2006
EU ELV	Not Relevant
Low-Halogen Status	Low-Halogen per IEC 61249-2-21
REACH SVHC	Not Contained per D(2025)7771-DC (04 Feb 2026)
EU RoHS	Compliant per EU 2015/863

[Compliance Statements](#)

- EU RoHS
- REACH SVHC
- Low-Halogen

Industry Documents

- IPC 1752A Class C
- IPC 1752A Class D
- Molex Product Compliance Declaration
- IEC-62474
- chemSHERPA (xml)

Substances of Interest

- PFAS

EU RoHS Certificate of Compliance

Additional Product Compliance Information

Part Details

General

Status	Obsolete
Category	PCB Headers and Receptacles
Series	78048
Description	1.50mm Pitch Pico-SPOX Wire-to-Board Header, Liquid Crystal Polymer, Right-Angle, 3 Circuits, Embossed Tape on Reel, Beige
Application	Signal, Wire-to-Board
Component Type	PCB Header
Product Name	Pico-SPOX
UPC	800756707174

Agency

CSA	LR19980
UL	E29179

Electrical

Current - Maximum per Contact	2.5A
Voltage - Maximum	250V AC

Physical

Breakaway	No
Circuits (Loaded)	3
Circuits (maximum)	3
Color - Resin	Beige
Durability (mating cycles max)	10
First Mate / Last Break	No
Flammability	94V-0
Glow-Wire Capable	No
Guide to Mating Part	No
Keying to Mating Part	Yes
Lock to Mating Part	Yes
Material - Metal	Brass
Material - Plating Mating	Tin
Material - Plating Termination	Tin
Material - Resin	Liquid Crystal Polymer (LCP)
Net Weight	0.182/g
Number of Rows	1
Orientation	Right Angle
Packaging Type	Embossed Tape on Reel
PCB Locator	No
PCB Retention	No
Pitch - Mating Interface	1.50mm
Plating min - Mating	2.540µm
Plating min - Termination	2.540µm
Polarized to Mating Part	Yes
Polarized to PCB	No
Shrouded	Shrouded
Stackable	No
Temperature Range - Operating	-55° to +105°C
Termination Interface Style	Surface Mount

Mates With / Use With

Mates with Part(s)

Description	Part Number
-------------	-------------

Pico-SPOX Single Row Receptacle Housings	<u>87439</u>
--	--------------

Use with Part(s)

Description	Part Number
Pico-SPOX Female Crimp Terminals	<u>87421</u>

This document was generated on May 08, 2026

Obsolete