

## Product Compliance

[For compliance documentation, visit the product page on TE.com>](#)

EU RoHS Directive 2011/65/EU	Not Compliant
EU ELV Directive 2000/53/EC	Not Compliant
China RoHS 2 Directive MIIT Order No 32, 2016	有害物质含量超出标准 Restricted Substance(s) Above Threshold
EU REACH Regulation (EC) No. 1907/2006	<p>Current ECHA Candidate List: JUNE 2025 (250)                      Candidate List Declared Against: JAN 2024 (240)                      SVHC &gt; Threshold:                      Pb (.3% in BODY &amp; NUT)                      Cd (3% in BODY &amp; NUT)</p> <p><b>Article Safe Usage Statements:</b>                      Use personal protective equipment as required. Do not eat, drink or smoke when using this product. Wash thoroughly after handling. Recycle if possible and dispose of the article by following all applicable governmental regulations relevant to your geographic location.</p>
Halogen Content	Low Halogen - Br, Cl, F < 900 ppm per homogenous material. Also BFR/CFR/PVC Free
Solder Process Capability	Not applicable for solder process capability

### Product Compliance Disclaimer

This information is provided based on reasonable inquiry of our suppliers and represents our current actual knowledge based on the information they provided. This information is subject to change. The part numbers that TE has identified as EU RoHS compliant have a maximum concentration of 0.1% by weight in homogenous materials for lead, hexavalent chromium, mercury, PBB, PBDE, DBP, BBP, DEHP, DIBP, and 0.01% for cadmium, or qualify for an exemption to these limits as defined in the Annexes of Directive 2011/65/EU (RoHS2). Finished electrical and electronic equipment products will be CE marked as required by Directive 2011/65/EU. Components may not be CE marked. Additionally, the part numbers that TE has identified as EU ELV compliant have a maximum concentration of 0.1% by weight in homogenous materials for lead, hexavalent chromium, and mercury, and 0.01% for cadmium, or qualify for an exemption to these limits as defined in the Annexes of Directive 2000/53/EC (ELV). Regarding the REACH Regulation, the information TE provides on SVHC in articles for this part number is based on the latest European Chemicals Agency (ECHA) 'Guidance on requirements for substances in articles' posted at this URL: <https://echa.europa.eu/guidance-documents/guidance-on-reach>

## Customers Also Bought



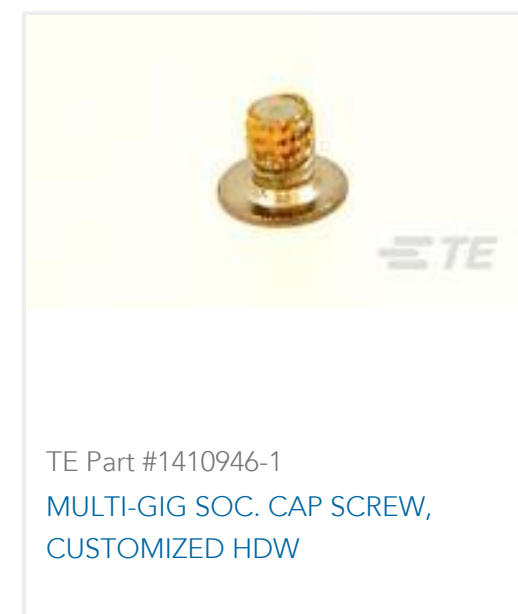
TE Part #DT04-3P-CE02  
REC, 3P, BLK, E



TE Part #EL88842001  
VERSAFIT-1/4-0-STK



TE Part #1-608036-4  
SILICONE FUSION TAPE,1\"X15'



TE Part #1410946-1  
MULTI-GIG SOC. CAP SCREW,  
CUSTOMIZED HDW



TE Part #1-1469492-8  
MULTIGIG RT 9MM GUIDE/ESD 315  
DEG



TE Part #1-1617146-2  
JMGACD-26M = M39016/18-036M



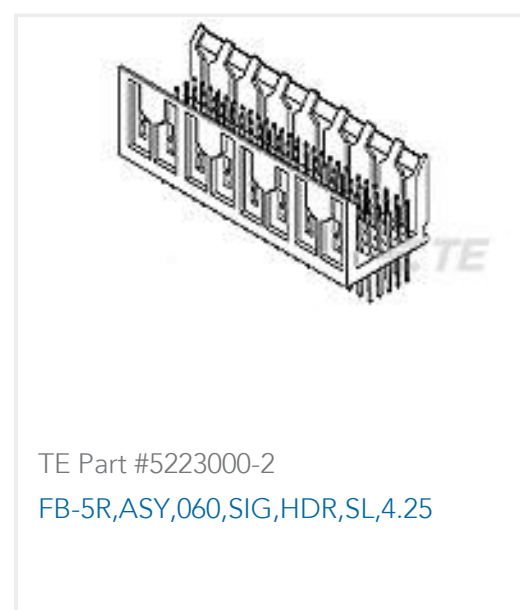
TE Part #1-2213767-1  
AV19 SPM 3A MOVE RING LED  
YELLOW 24V



TE Part #859321-000  
KTKK-1115



TE Part #499081-000  
202D132-12-60-0-CS5077



TE Part #5223000-2  
FB-5R,ASY,060,SIG,HDR,SL,4.25

## Documents

### Product Drawings

[KTKK-1134](#)

English

### CAD Files

[3D PDF](#)

3D

Customer View Model

[ENG\\_CVM\\_CVM\\_441003-000\\_O\\_c-441003-000-o.2d\\_dxf.zip](#)

English

Customer View Model

[ENG\\_CVM\\_CVM\\_441003-000\\_O\\_c-441003-000-o.3d\\_igs.zip](#)

English

Customer View Model

[ENG\\_CVM\\_CVM\\_441003-000\\_O\\_c-441003-000-o.3d\\_stp.zip](#)

English

By downloading the CAD file I accept and agree to the [Terms and Conditions](#) of use.

### Datasheets & Catalog Pages



## Circular Backshells

English