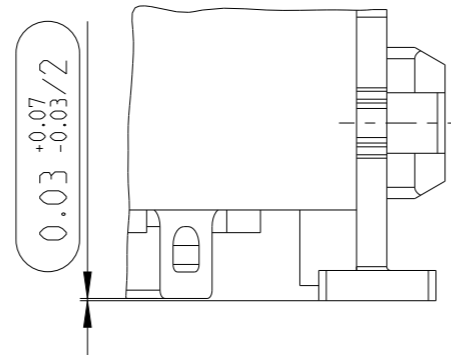
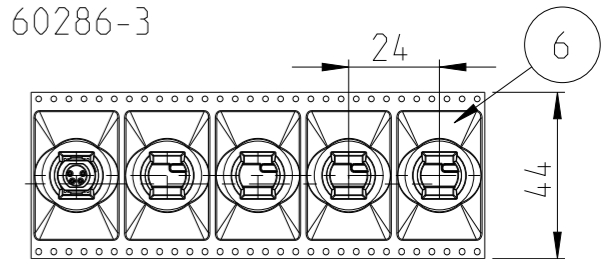
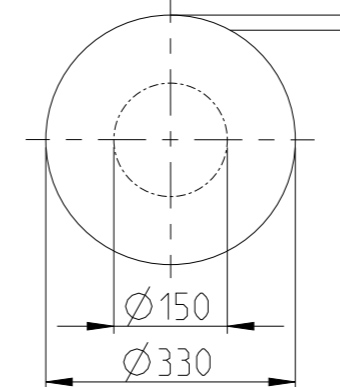


P	LTR	DESCRIPTION	DATE	DWN	APVD
	A1	NEW DRAWING	23AUG2023	ASB	JDB
	L1	DRAWING RE-CREATED IN CREO	22DEC2023	ASB	JDB
	L2	REEL CORE DIA CHANGE	24JUL2024	SS	LET

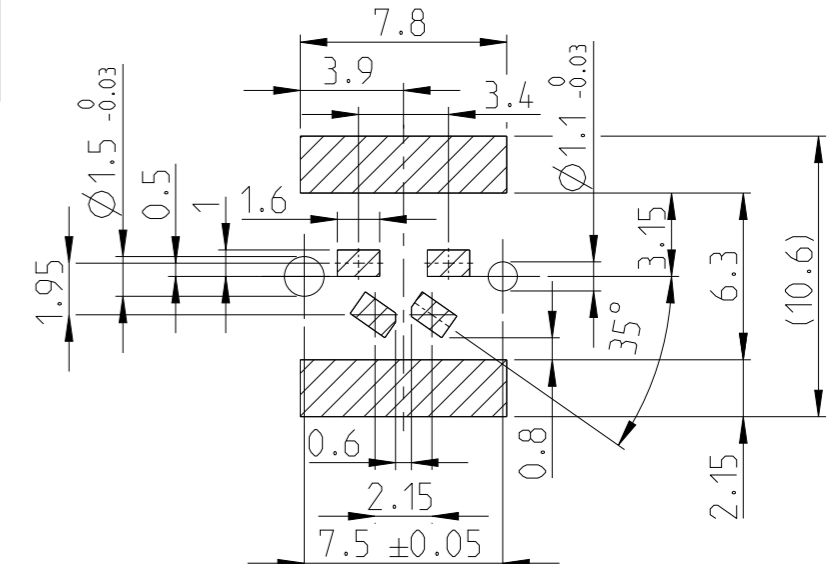
DETAIL X
SCALE 10:1



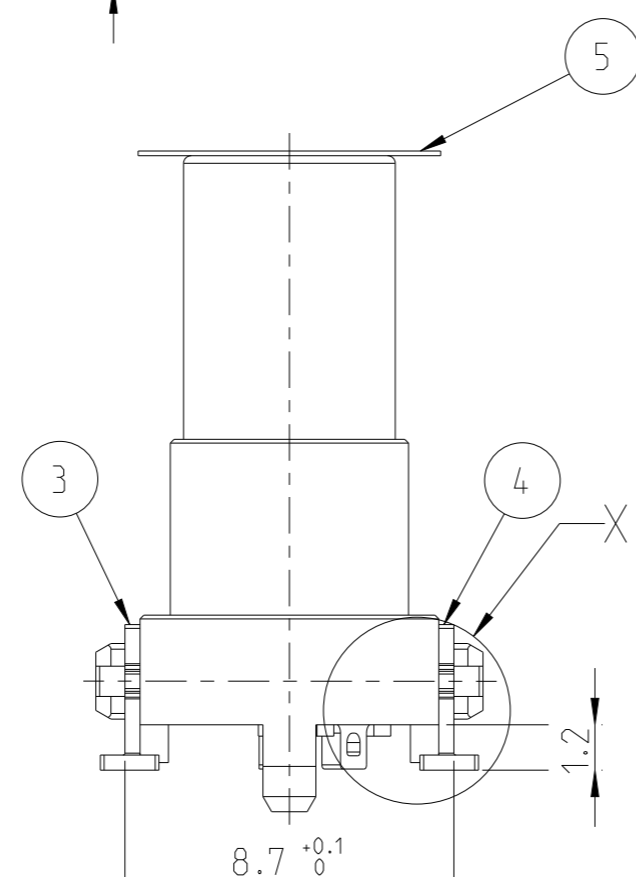
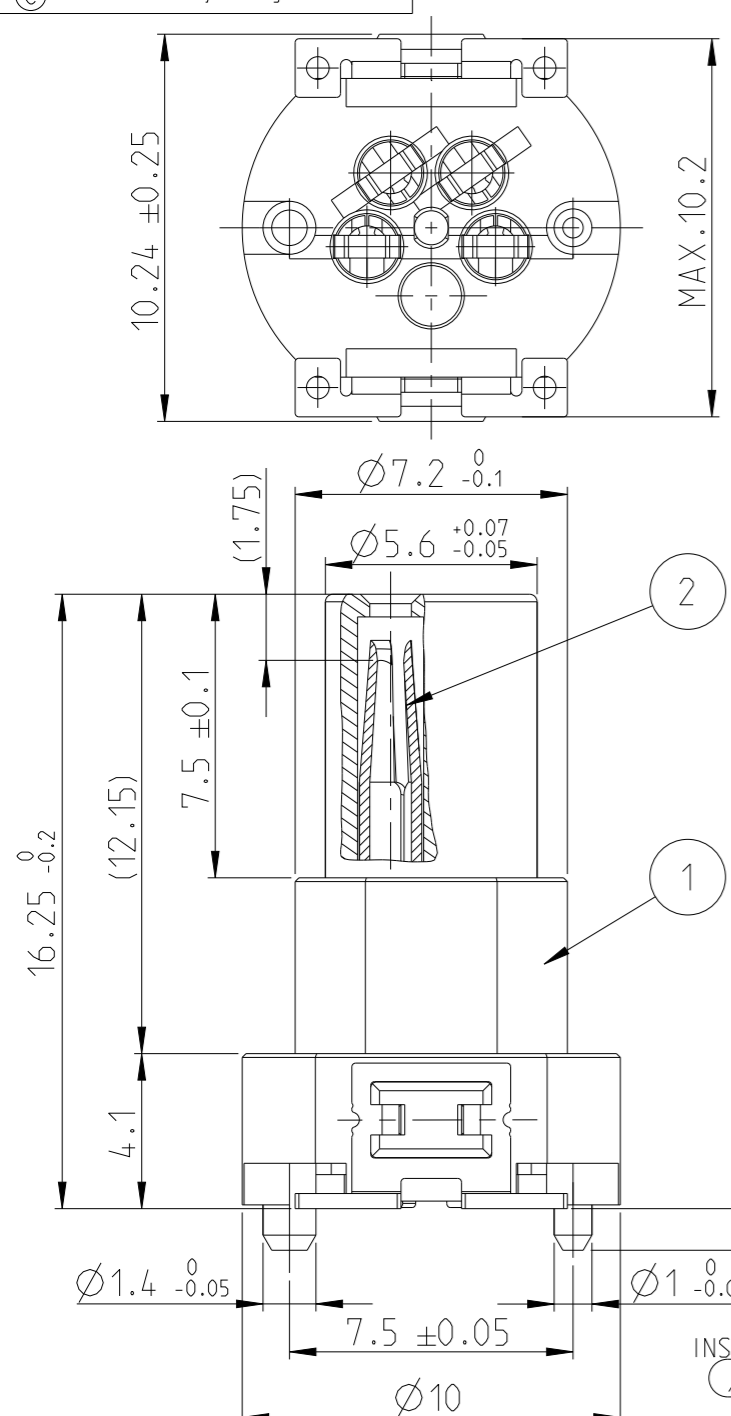
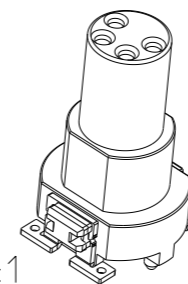
TAPE ON REEL PACKAGING ACCORDING TO DIN IEC 60286-3
PACKAGING UNIT: 100 PCS



PCB-LAYOUT PROPOSAL



SCALE 2:1
3D VIEW



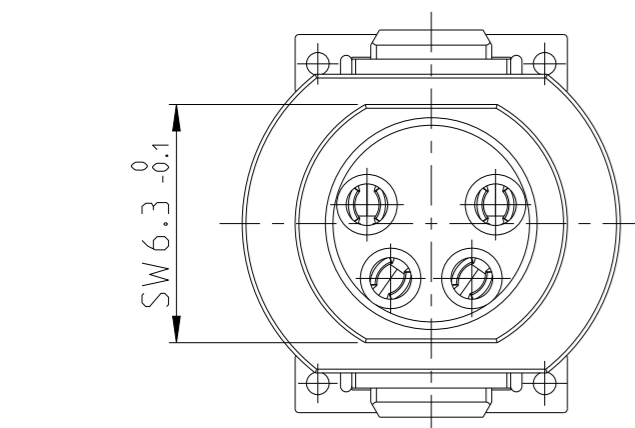
INSPECTION LEVEL 1: CONTROL CHART REQUIRED
1/1 PROOF OF PROCESS CAPABILITY OR 100% TEST IF PROCESS CAPABILITY IS NOT ACHIEVED

INSPECTION LEVEL 2 AND 3: CONTROL CHART REQUIRED
2/2 PROOF OF MEAN VALUE, STANDARD DEVIATION AND MACHINE CAPABILITY

3/3 PROOF OF VALUES OR PROOF OF ATTRIBUTIVE TEST

INFORMATION ON THE SCOPE OF TESTING AND DETECTION BY ERNI VA 7.3.2.3

QTY	REV	DESCRIPTION	ITEM NO.
1	-	TAPE AND REEL	6
1	-	PAD	5
1	1	SOLDER CLIP LEFT	4
1	1	SOLDER CLIP RIGHT	3
4	4	PINS	2
1	1	M8 HOUSING	1
494375-E 234234-E 224151-E			REV DESCRIPTION ITEM NO.
-			REV OF EACH ASSY NO. (WHEN BLANK, USE DWG. REV)
QTY			PARTS LIST



- 1. COPLANARITY OF ALL CONTACTS AND CLIPS <= 0,1MM
- 2 PART: 100 PCS. IN BUBBLE BAGS / BULK

THIS DRAWING IS A CONTROLLED DOCUMENT.

DIMENSIONS: mm	TOLERANCES UNLESS OTHERWISE SPECIFIED: ISO 2768-mK	DWN 23AUG2023 B S ADRUSH	TE Connectivity NAME M8 FEMALE, A CODE, 4P, 16.25MM SMT
	0 PLC ± 1 PLC ± 2 PLC ± 3 PLC ± 4 PLC ± ANGLES ± FINISH -	CHK 25AUG2023 M SZELAG APVD 25AUG2023 J DE BRUIJN PRODUCT SPEC 108-94887 APPLICATION SPEC 114-94781 WEIGHT -	
MATERIAL		CUSTOMER DRAWING	SIZE A3 CAGE CODE 00779 DRAWING NO C=224151-E RESTRICTED TO - SCALE 5:1 SHEET 1 OF 1 REV L2