



**SATO PARTS CO.,LTD.**  
ESTABLISHED SINCE 1948

Global Site

English | 中文



0120-70-7215

We contribute to manufacturing with delivery time, quality, and service.

[Employment Information](#) | [Site Map](#)

E-Mail: [marketing@satoparts.co.jp](mailto:marketing@satoparts.co.jp)



HOME



会社概要



環境に対する  
取り組み



カタログ・サンプル  
STEPファイル請求



問い合わせ

### Model number search

### Model number search within category

### [Refine search]

By application / shape

By classification

- LED bracket  
 Neon bracket

### Supplementary information (PDF)

- ▶ DB notes
- ▶ BN notes
- ▶ General notes

スクリューレス端子台  
Screwless Terminal

ネジ式端子台  
Screw Terminal

ヒューズホルダー、  
ヒューズ管  
Fuse Holder, Fuse

表示台、LEDブラケット、  
ネオンブラケット  
Indicator

ツマミ  
Knob

コンセント、コネクタ  
Connector

ターミナル、チップジャック  
Terminal, Tip Jack

クリップ、ソケット、プラグ  
Clip, Socket, Plug

プッシング、ラグ板  
Bushing, Lug

[home](#) > [List of indicator lights, LED brackets, neon brackets](#) > DB-10-F

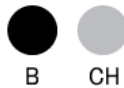
## DB-10-F



made in Japan

[Information on the RoHS Directive](#)

### Body color



### Lens color

\* The emission color of Y is orange.

\* Clear when BL is not lit.



### specification

Withstand voltage	AC500V (1 minute)
Insulation resistance	DC500V, 100MΩ or more
Body material	Chrome: brass, black: brass
Main insulation	PBT
Terminal bracket	LED lead wire (□ 0.5)

先頭へ戻る

[Product Summary](#) / [Color](#) / [specification](#) / [Dimensional drawing](#) / [Order model number](#) / [Maximum rating and electrical and optical properties](#) / [Protective resistance chart](#) /

[Request STEP files and samples of the product you are currently](#)

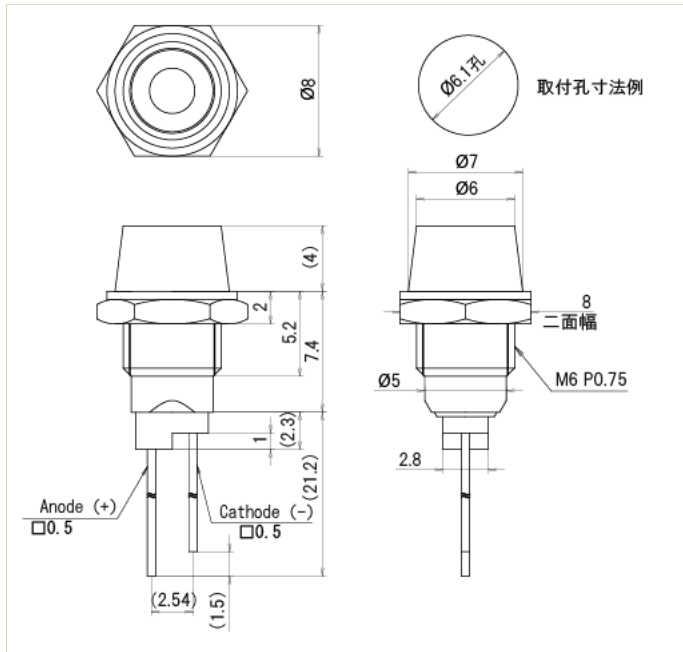
アクセサリ  
Accessory

販売中止品

製品一部変更

Lens color	R (red), G (green), Y (yellow), BL (blue)
Panel mounting method	Nut tightening
Mounting plate thickness	1.5 mm to 1.8 mm
Nut tightening torque	0.6N · m
Nut width across flats	8.0mm
Precautions for use	(1) This product does not have a built-in protection resistor, so connect a protection resistor that matches the working voltage in series. (2) Pay attention to the polarity when connecting. (3) When bending the lead wire, bend it at a distance of 2 mm or more from the bottom surface, and perform soldering after bending.

Dimensional drawing



Unit: mm

Order model number

Order model number DB-10-F-[Body color] [Lens color]  
 Order example DB-10-F-CHR (when ordering with body color chrome and lens color red)

Maximum rating and electrical and optical properties

It is a characteristic of only the element used

Color	Recommended operating current I <sub>F</sub> (mA)	Peak emission wavelength λ <sub>p</sub> (nm)	Maximum rating (Ta = 25 °C)					Electrical and optical properties (Ta = 25 °C)							
			Forward current I <sub>F</sub> (mA)	Reverse voltage V <sub>R</sub> (V)	Allowable loss P <sub>D</sub> (mW)	Operating temperature TOPR (°C)	Storage temperature TSTG (°C)	Forward voltage V <sub>F</sub>		Reverse current I <sub>R</sub>		Luminous intensity (on the axis) I <sub>v</sub>			
								Standard (V)	Maximum (V)	I <sub>F</sub> (mA)	Maximum (μA)	V <sub>R</sub> (V)	Minimum (mcd)	Maximum (mcd)	I <sub>F</sub> (mA)
R (red)	Ten	627	30	Five	75	-40 to +85	-40 to +85	1.9	2.3	Ten	Ten	Five	Ten	50	Ten
G (green)	Ten	565	twentv	Five	62.5	-40 to +85	-40 to +85	2	2.4	Ten	Ten	Five	Ten	30	Ten

[Product Summary](#) / [Color / specification](#) / [Dimensional drawing](#) / [Order model number](#) / [Maximum rating and electrical and optical properties](#) / [Protective resistance chart](#) /

Request STEP files and samples of the product you are currently

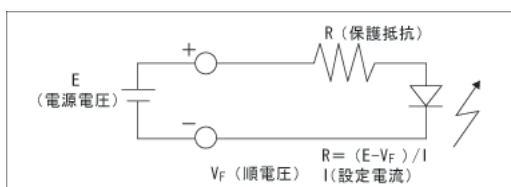
OR (orange)															
BL (blue)	Ten	460	30	Five	120	-40 to +85	-40 to +85	3.3	Four	20	50	Five	500	1300	20

### Protective resistance chart

The following protection resistance values are calculated under general conditions. Depending on the actual usage conditions (environment / resistor type / characteristics), it may be necessary to allow a margin in the capacity (wattage).

Color	R (red)	G (green)	Y (yellow) / OR (orange)	BL (blue)
Set current	10mA	10mA	10mA	10mA
Working voltage / V (F)	1.9V	2V	1.95V	3V
3V	120Ω (1/8W)	100Ω (1/8W)	110Ω (1/8W)	—
4V	220Ω (1/8W)	200Ω (1/8W)	220Ω (1/8W)	100Ω (1/8W)
5V	330Ω (1/8W)	300Ω (1/8W)	300Ω (1/8W)	200Ω (1/8W)
6V	430Ω (1/8W)	390Ω (1/8W)	430Ω (1/8W)	300Ω (1/8W)
7V	510Ω (1/8W)	510Ω (1/8W)	510Ω (1/8W)	390Ω (1/8W)
8V	620Ω (1/8W)	620Ω (1/8W)	620Ω (1/8W)	510Ω (1/8W)
9V	750Ω (1/8W)	680Ω (1/8W)	680Ω (1/8W)	620Ω (1/8W)
10V	820Ω (1/8W)	820Ω (1/8W)	820Ω (1/8W)	680Ω (1/8W)
11V	910Ω (1/4W)	910Ω (1/4W)	910Ω (1/4W)	820Ω (1/8W)
12V	1kΩ (1/4W)	1kΩ (1/4W)	1kΩ (1/4W)	910Ω (1/4W)
13V	1.1kΩ (1/4W)	1.1kΩ (1/4W)	1.1kΩ (1/4W)	1kΩ (1/4W)
14V	1.2kΩ (1/4W)	1.2kΩ (1/4W)	1.2kΩ (1/4W)	1.1kΩ (1/4W)
15V	1.3kΩ (1/4W)	1.3kΩ (1/4W)	1.3kΩ (1/4W)	1.2kΩ (1/4W)
16V	1.5kΩ (1/4W)	1.3kΩ (1/4W)	1.5kΩ (1/4W)	1.3kΩ (1/4W)
17V	1.5kΩ (1/4W)	1.5kΩ (1/4W)	1.5kΩ (1/4W)	1.3kΩ (1/4W)
18V	1.6kΩ (1/4W)	1.6kΩ (1/4W)	1.6kΩ (1/4W)	1.5kΩ (1/4W)
19V	1.8kΩ (1/4W)	1.6kΩ (1/4W)	1.8kΩ (1/4W)	1.6kΩ (1/4W)
20V	1.8kΩ (1/2W)	1.8kΩ (1/2W)	1.8kΩ (1/2W)	1.6kΩ (1/4W)
21V	2kΩ (1/2W)	1.8kΩ (1/2W)	2kΩ (1/2W)	1.8kΩ (1/2W)
22V	2kΩ (1/2W)	2kΩ (1/2W)	2kΩ (1/2W)	1.8kΩ (1/2W)
23V	2.2kΩ (1/2W)	2kΩ (1/2W)	2.2kΩ (1/2W)	2kΩ (1/2W)
24V	2.2kΩ (1/2W)	2.2kΩ (1/2W)	2.2kΩ (1/2W)	2kΩ (1/2W)

### Precautions for use



- When using the LED bracket of SATO PARTS, be sure to insert the protection resistor in series. Please refer to the above basic circuit and calculation formula.
- Please note that the LED has polarity when connecting.
- When installing or using it on a panel, etc., please check under actual conditions.
- Bend the lead at a distance of 2 mm or more from the root, and perform soldering after bending.
- LEDs are semiconductors and may be damaged by static electricity. Therefore, handle the LED after releasing static electricity.

先頭へ戻る

[Product Summary](#) / [Color](#) / [specification](#) / [Dimensional drawing](#) / [Order model number](#) / [Maximum rating and electrical and optical properties](#) / [Protective resistance chart](#) /

Request STEP files and samples of the product you are currently

## Solder heat resistance conditions

## Hand soldering (soldering ironing) conditions

Iron tip temperature	295 ± 5 °C
Iron guessing time	3 ± 1 second
Number of times	Once

## Notes

- Flow / Reflow is not applicable.
- When using it, we recommend that you check it according to the actual usage conditions. The above conditions have been confirmed by testing the product itself.

## DXF / Environmental Hazardous Substances Report (chemSHERPA) Download

\* Please read the [DXF file terms of use](#) when downloading the [DXF file](#).

\* For the Environmentally Friendly Substances Report, please see our [Environmental Initiatives](#).

\* For tools for viewing chemSHERPA data, see the [PDF download procedure manual](#).

In addition, with regard to the survey list, [PDF click here](#) please refer to.

Model number	DXF file	Environmentally hazardous substance report (chemSHERPA)
DB-10-F	<a href="#">download</a>	
DB-10-F-BR		<a href="#">download</a>
DB-10-F-BG		<a href="#">download</a>
DB-10-F-BY		<a href="#">download</a>
DB-10-F-BBL		<a href="#">download</a>
DB-10-F-CHR		<a href="#">download</a>
DB-10-F-CHG		<a href="#">download</a>
DB-10-F-CHY		<a href="#">download</a>
DB-10-F-CHBL		<a href="#">download</a>

[HOME](#) | [Company Profile](#) | [Terms of use](#) | [privacy policy](#) | [site map](#)

COPYRIGHT © SATO PARTS CO., LTD. ALL RIGHTS RESERVED.

SATO PARTS Co., Ltd.

Akihabara Building, 3-3-8 Sotokanda, Chiyoda-ku, Tokyo 101-0022

先頭へ戻る

[Product Summary](#) / [Color](#) / [specification](#) / [Dimensional drawing](#) / [Order model number](#) / [Maximum rating and electrical and optical properties](#) / [Protective resistance chart](#) /

Request STEP files and samples of the product you are currently