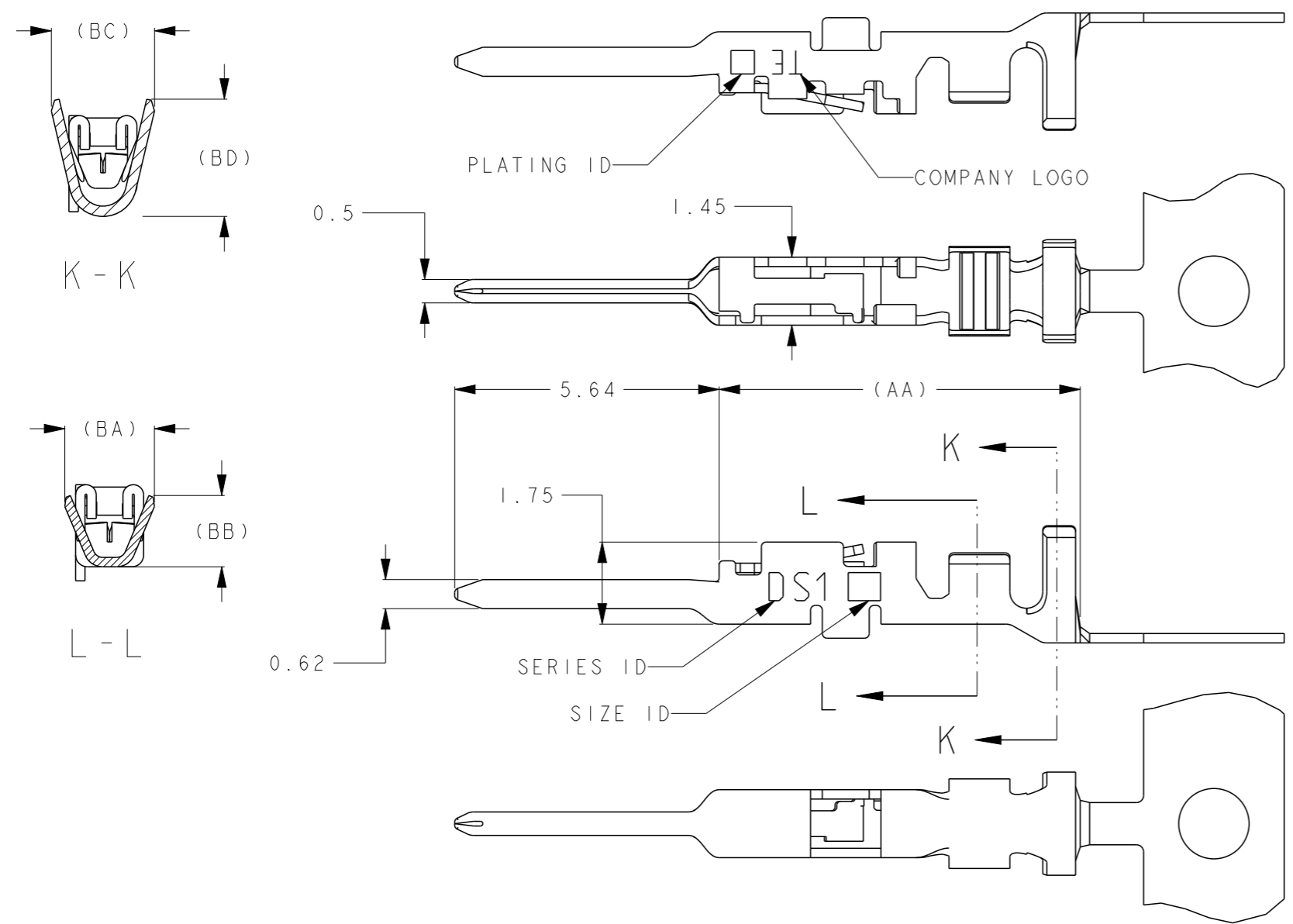


THIS DRAWING IS UNPUBLISHED. RELEASED FOR PUBLICATION 20
 © COPYRIGHT 20 BY - ALL RIGHTS RESERVED.


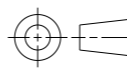
REVISIONS					
P	LTR	DESCRIPTION	DATE	DWN	APVD
A		RELEASED	23MAR2021	Y.O	E.I
B		REVISED	08MAR2023	H.O	T.S
C		REVISED	27APR2026	H.O	T.S



1. TECHNICAL CHARACTERISTICS:
 CONTACT MATERIAL: CU ALLOY
 -1, -2, 2--2;
 SURFACE PLATING: GOLD PLATING
 3--1, 3--2;
 SURFACE PLATING: TIN PLATING

2.7	2.2	1.52	1.86	7.7	0.1g	M	5	1.08-1.6	AWG28-22, 0.08-0.37SQmm	M SIZE, PRE-TIN	3-2367819-2
2.5	2.2	1.0	1.50	7.7	0.1g	S	5	0.6-1.2	AWG30-28, 0.05-0.1SQmm	S SIZE, PRE-TIN	3-2367819-1
2.7	2.2	1.52	1.86	7.7	0.1g	M	3	1.08-1.6	AWG28-22, 0.08-0.37SQmm	M SIZE, GOLD 0.76μm	2-2367819-2
2.7	2.2	1.52	1.86	7.7	0.1g	M	1	1.08-1.6	AWG28-22, 0.08-0.37SQmm	M SIZE, GOLD 0.2μm	2367819-2
2.5	2.2	1.0	1.50	7.7	0.1g	S	1	0.6-1.2	AWG30-28, 0.05-0.1SQmm	S SIZE, GOLD 0.2μm	2367819-1
DIMENSION BD	DIMENSION BC	DIMENSION BB	DIMENSION BA	DIMENSION AA	NET WEIGHT	SIZE ID	PLATING ID	INSUL. RANGE	WIRE RANGE	DESCRIPTION	PART NO

THIS DRAWING IS A CONTROLLED DOCUMENT.

DIMENSIONS: mm	TOLERANCES UNLESS OTHERWISE SPECIFIED:	DWN Y. OKADA 13APR2020	 TE Connectivity NAME TAB CONTACT, D1000 SLIM, DYNAMIC
	0 PLC ±0.5	CHK T. SHIMOYASU 13APR2020	
	1 PLC ±0.5	APVD E. IKEMATSU 13APR2020	
	2 PLC ±0.5	PRODUCT SPEC 108-140257	
	3 PLC ±0.5	APPLICATION SPEC 114-5377	SIZE A3
	4 PLC ±0.5	WEIGHT -	CAGE CODE -
	ANGLES ±3°	CUSTOMER DRAWING	DRAWING NO C-2367819
MATERIAL -	FINISH -	SCALE 8:1	RESTRICTED TO -
		SHEET 1 OF 1	REV C